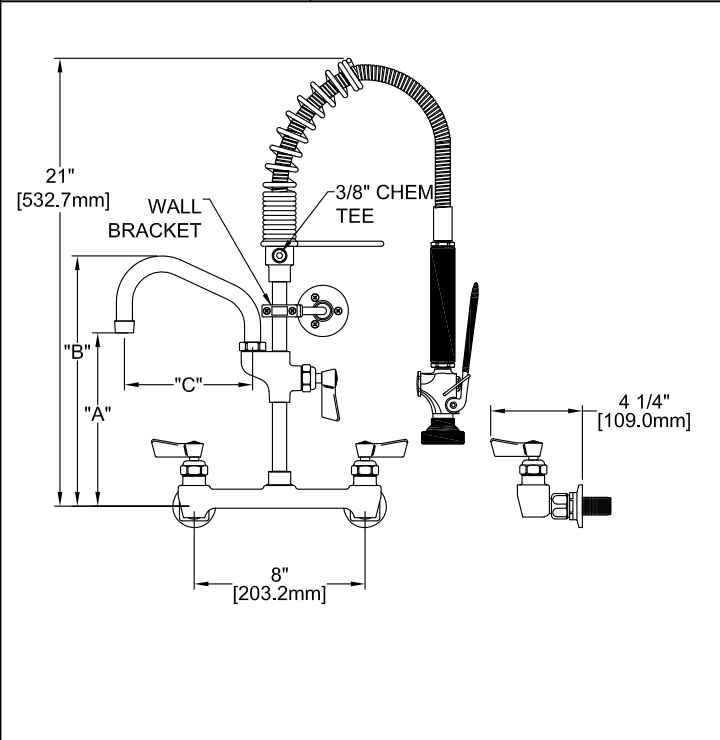


APPLICATION:
 JOB NAME:
 QUANTITY: ITEM NO.:

PRODUCT NAME:
SS PRERINSE SPGLP 8BSZLH

MODEL:
 74800 SS PRERINSE SPGLP 8BSZLH 06SS
 74801 SS PRERINSE SPGLP 8BSZLH 08SS
 74802 SS PRERINSE SPGLP 8BSZLH 10SS
 74791 SS PRERINSE SPGLP 8BSZLH 12SS
 74803 SS PRERINSE SPGLP 8BSZLH 14SS
 74804 SS PRERINSE SPGLP 8BSZLH 16SS



MODEL	DIM "A"	DIM "B"	DIM "C"
74800	8-1/8" [206.0mm]	11-3/4" [297.6mm]	6" [152.0mm]
74801	9" [228.0mm]	12-5/8" [321.9mm]	8" [203.2mm]
74802	9-1/8" [230.4mm]	12-5/8" [321.9mm]	10" [254.0mm]
74791	9-3/4" [247.0mm]	11-3/4" [338.5mm]	12" [305.0mm]
74803	10-3/8" [263.5mm]	14" [355.0mm]	14" [356.0mm]
74804	11" [280.0mm]	14-5/8" [371.5mm]	16" [406.0mm]

OPTIONS OR MODIFICATIONS:
 OTHER EZ INSTALL KIT

FEATURES

MAIN CONTROL VALVE

- * 8" C/C BACKSPLASH MOUNT
- * INTERNAL SPRING LOADED CHECK VALVES
- * SWIVELLING SEAT DISKS
- * HOT SIDE STEM - RIGHT HAND CHECK
- * COLD SIDE STEM - LEFT HAND CHECK
- * STAINLESS STEEL SEATS, SEAT SCREWS, AND HANDLE SCREWS

HOSE

- * 15 1/2" LENGTH
- * STAINLESS STEEL END FITTINGS
- * STAINLESS STEEL EXTERNAL JACKET
- * 3-PLY FIBER REINFORCED INTERNAL RUBBER

HOSE

- * REPAIRABLE IN-FIELD WITH SIMPLE TOOLS

ULTRA SPRAY VALVE

- * LOWEST ENERGY USER - 1.15 GPM @ 60 PSI
- * CLEANS FASTER - TEST PROVEN
- * ENGINEERED TO LAST - NO 'O' RINGS TO LEAK
- * INTERCHANGEABLE - FITS ALL BRANDS

WAL BRACKET

- * ADJUSTS FROM 2" TO 12"

SYSTEM LIMITS

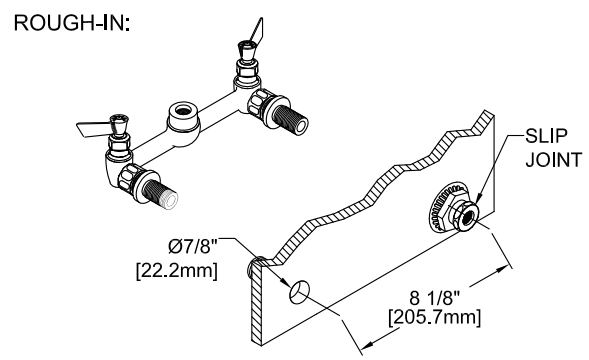
- * TEMP: 40°F MIN. TO 160°F MAX.
- * PRESSURE: 200 PSI MAX. STATIC

SHIPPING WEIGHT

- * 12.0 LBS

PRODUCT COMPLIANCE:

- * ASME A112.18.1 / CSA B125.1
- * NSF 61 - Section 9
- * NSF 372 (Low Lead Content)
- * 2019 DOE PRSV - Class II



FISHER MANUFACTURING COMPANY
 TOLL FREE: 800-421-6162 - FAX: 800-832-8238
 information@fisher-mfg.com - www.fisher-mfg.com