

PRODUCT NAME:  
SS PRERINSE SPG 8BSZLH

MODEL:  
 52922 8" BACKSPLASH PRI-RINSE W/ LEVER HANDLES

- FEATURES
- CONTROL VALVE
- \* 8" C/C BACKSPLASH MOUNT
  - \* CONCENTRICS
  - \* INTERNAL SPRING LOADED CHECK VALVES
  - \* SWIVELLING SEAT DISKS
  - \* HOT SIDE STEM - RIGHT HAND
  - \* COLD SIDE STEM - LEFT HAND
  - \* STAINLESS STEEL SEATS
  - \* STAINLESS STEEL SEAT SCREWS
  - \* STAINLESS STEEL HANDLE SCREWS
  - \* EZ INSTALL ADAPTERS - T&S, CHI, KROWNE

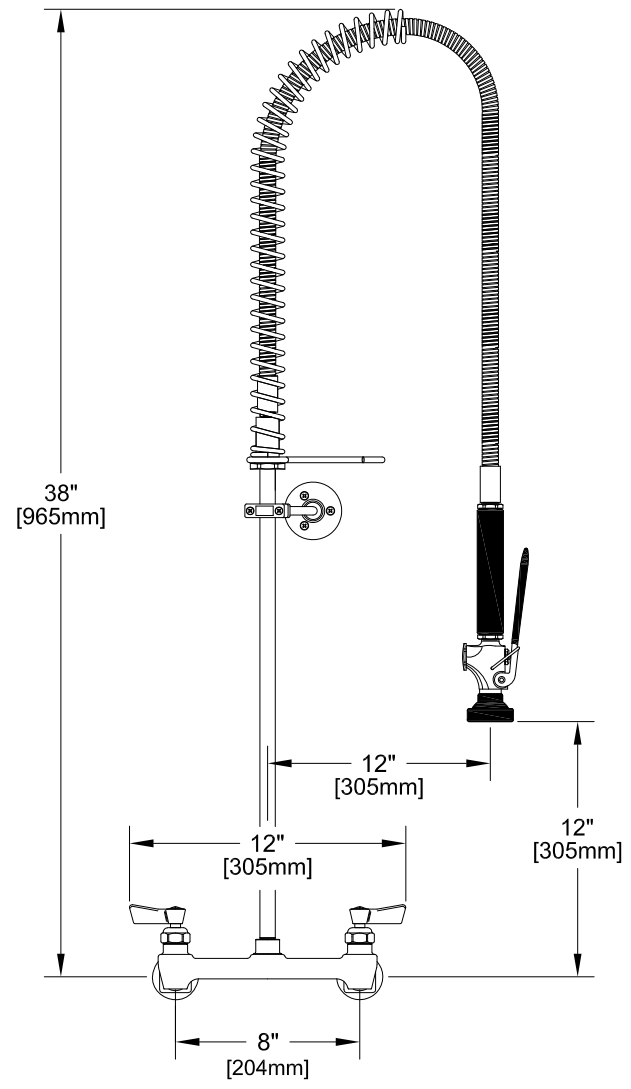
- HOSE
- \* 36" LENGTH
  - \* STAINLESS STEEL END FITTINGS
  - \* STAINLESS STEEL EXTERNAL JACKET
  - \* 3 PLY FIBER REINFORCED INTERNAL RUBBER HOSE
  - \* REPAIRABLE IN FIELD WITH SIMPLE TOOLS

- ULTRA SPRAY VALVE
- \* LOWEST ENERGY USER - 1.15 GPM @ 60 PSI
  - \* CLEANS FASTER - TEST PROVEN
  - \* ENGINEERED TO LAST - NO 'O' RINGS TO LEAK
  - \* INTERCHANGEABLE - FITS ALL BRANDS

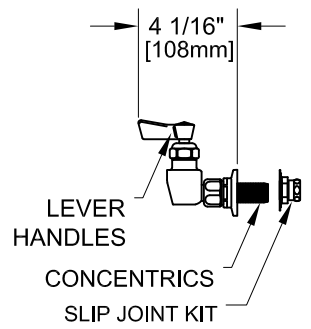
- WALL BRACKET
- \* ADJUSTS FROM 2" TO 12"

- SYSTEM LIMITS
- \* TEMP: 40°F MIN. TO 140°F MAX.
  - \* PRESSURE: 200 PSI MAX. STATIC

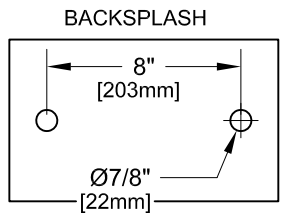
- SHIPPING WEIGHT
- \* 12.0 LBS
- \* NSF 61-9 APPROVED & LISTED  
[www.truesdail.com](http://www.truesdail.com)



8" C/C BACKSPLASH FAUCET



ROUGH-IN:



ANSI/A112.18.1-2005

**FISHER**  
 FISHER MANUFACTURING COMPANY  
 TOLL FREE: 800-421-6162 - FAX: 800-832-8238  
[information@fisher-mfg.com](mailto:information@fisher-mfg.com) - [www.fisher-mfg.com](http://www.fisher-mfg.com)