

# FISHER

FISHER MANUFACTURING COMPANY TOLL FREE: 800-421-6162 - FAX: 800-832-8238  
customer@fisher-mfg.com - www.fisher-mfg.com

PRODUCT NAME:

PRERINSE SLP 04R

SPEC. PRHB-SQ-XX

Customer/Wholesaler:

Date:

Job Name:

Model Specified:

Quantity:

Contracter:

Architect/Engineer:

MODEL:

75410 PRERINSE SLP 04R

OPTIONS OR MODIFICATIONS:

OTHER \_\_\_\_\_

FEATURES:HOSE

- \* 15 1/2" LENGTH
- \* STAINLESS STEEL END FITTINGS
- \* STAINLESS STEEL EXTERNAL JACKET
- \* 3-PLY FIBER REINFORCED INTERNAL RUBBER HOSE
- \* REPAIRABLE IN-FIELD WITH SIMPLE TOOLS

ULTRA SPRAY VALVE

- \* LOWEST ENERGY USER - 1.15 GPM @ 60 PSI
- \* CLEANS FASTER - TEST PROVEN
- \* ENGINEERED TO LAST - NO 'O' RINGS TO LEAK
- \* INTERCHANGEABLE - FITS ALL BRANDS

SYSTEM LIMITS

- \* TEMP: 40°F MIN. TO 160°F MAX.
- \* PRESSURE: 200 PSI MAX. STATIC

SHIPPING WEIGHT

1.5 LBS

SYSTEM LIMITS

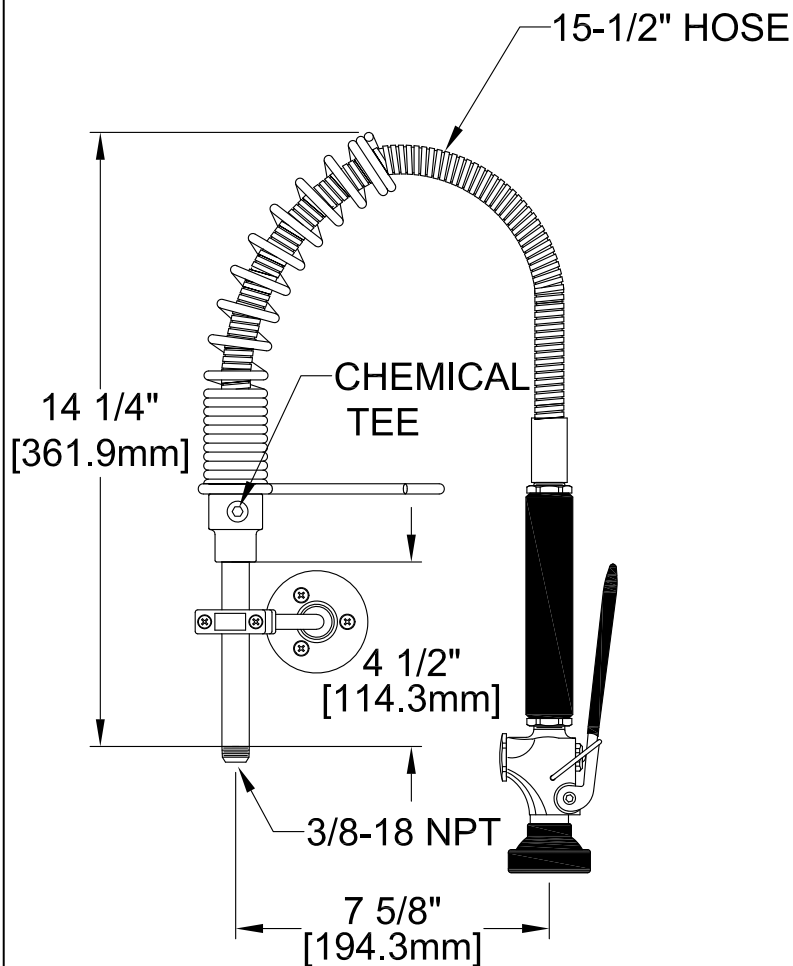
- \* TEMP: 40°F MIN. TO 160°F MAX.
- \* PRESSURE 200 PSI MAX. STATIC
- \* 1.15 GPM @ 60 PSI (4.4 LPM @ 410 kPa)

SHIPPING WEIGHT

3.75 LBS

PRODUCT COMPLIANCE:

- \* ASME A112.18.1 / CSA B125.1
- \* NSF 61 - Section 9
- \* NSF 372 (Low Lead Content)



Drawn: DF

Checked: EM

Approved: DF

Date: 03/30/23

Sheet: 1 of 1



FISHER MANUFACTURING COMPANY TOLL FREE: 800-421-6162 - FAX: 800-832-8238  
customer@fisher-mfg.com - www.fisher-mfg.com

PRODUCT NAME:

PRERINSE SLP 10R

SPEC. PRHB-SQ-XX

Customer/Wholesaler:	Date:	Job Name:	Model Specified:	Quantity:
Contractor:		Architect/Engineer:		

MODEL:  
 75409 PRERINSE SLP 10R

OPTIONS OR MODIFICATIONS:  
 OTHER \_\_\_\_\_

FEATURES:HOSE  
 \* 15 1/2" LENGTH  
 \* STAINLESS STEEL END FITTINGS  
 \* STAINLESS STEEL EXTERNAL JACKET  
 \* 3-PLY FIBER REINFORCED INTERNAL RUBBER HOSE  
 \* REPAIRABLE IN-FIELD WITH SIMPLE TOOLS

SS ULTRA SPRAY VALVE  
 \* LOWEST ENERGY USER - 1.15 GPM @ 60 PSI  
 \* CLEANS FASTER - TEST PROVEN  
 \* ENGINEERED TO LAST - NO 'O' RINGS TO LEAK  
 \* INTERCHANGEABLE - FITS ALL BRANDS

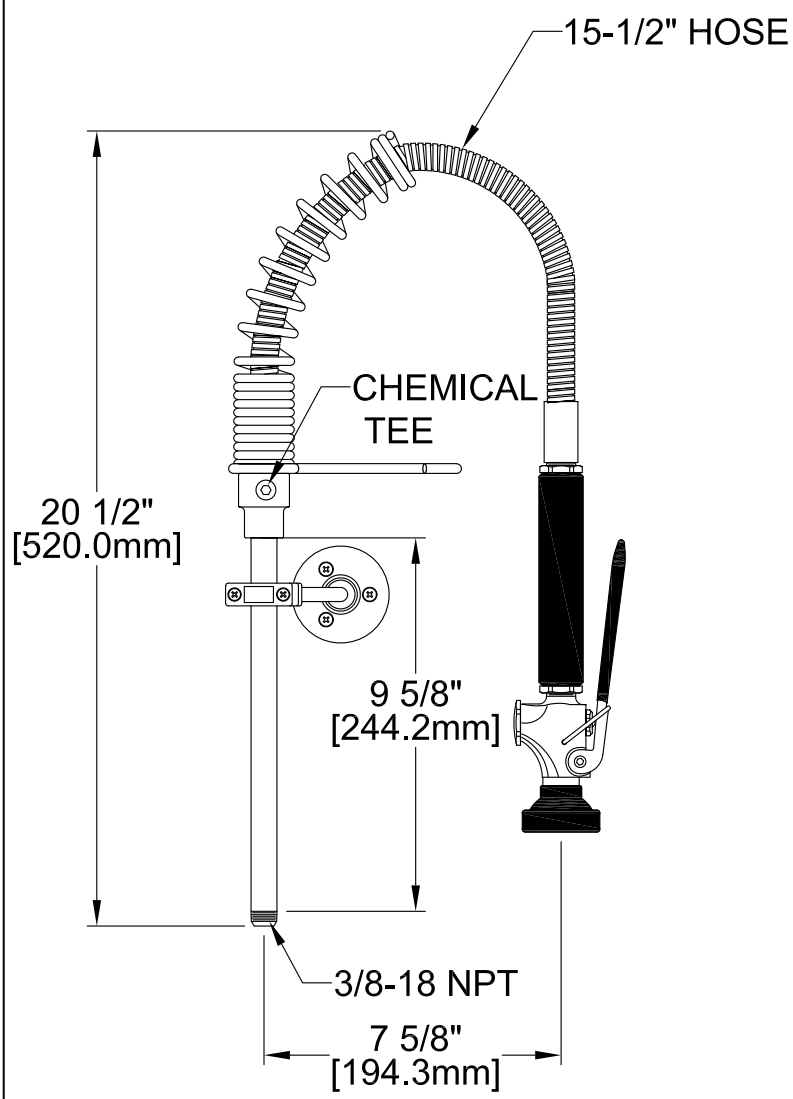
SYSTEM LIMITS  
 \* TEMP: 40°F MIN. TO 160°F MAX.  
 \* PRESSURE: 200 PSI MAX. STATIC

SHIPPING WEIGHT  
 1.5 LBS

SYSTEM LIMITS  
 \* TEMP: 40°F MIN. TO 160°F MAX.  
 \* PRESSURE 200 PSI MAX. STATIC  
 \* 1.15 GPM @ 60 PSI (4.4 LPM @ 410 kPa)

SHIPPING WEIGHT  
 \* 3.75 LBS

PRODUCT COMPLIANCE:  
 \* ASME A112.18.1 / CSA B125.1  
 \* NSF 61 - Section 9  
 \* NSF 372 (Low Lead Content)





FISHER MANUFACTURING COMPANY TOLL FREE: 800-421-6162 - FAX: 800-832-8238  
customer@fisher-mfg.com - www.fisher-mfg.com

PRODUCT NAME:

PRERINSE SLP 10R

SPEC. PRHB-SQ-XX

Customer/Wholesaler:

Date:

Job Name:

Model Specified:

Quantity:

Contracter:

Architect/Engineer:

MODEL:

75408 PRERINSE SLP 10R

OPTIONS OR MODIFICATIONS:

OTHER \_\_\_\_\_

FEATURES:HOSE

- \* 15 1/2" LENGTH
- \* STAINLESS STEEL END FITTINGS
- \* STAINLESS STEEL EXTERNAL JACKET
- \* 3-PLY FIBER REINFORCED INTERNAL RUBBER HOSE
- \* REPAIRABLE IN-FIELD WITH SIMPLE TOOLS

ULTRA SPRAY VALVE

- \* LOWEST ENERGY USER - 1.15 GPM @ 60 PSI
- \* CLEANS FASTER - TEST PROVEN
- \* ENGINEERED TO LAST - NO 'O' RINGS TO LEAK
- \* INTERCHANGEABLE - FITS ALL BRANDS

SYSTEM LIMITS

- \* TEMP: 40°F MIN. TO 160°F MAX.
- \* PRESSURE: 200 PSI MAX. STATIC

SHIPPING WEIGHT

1.5 LBS

SYSTEM LIMITS

- \* TEMP: 40°F MIN. TO 160°F MAX.
- \* PRESSURE 200 PSI MAX. STATIC
- \* 1.15 GPM @ 60 PSI (4.4 LPM @ 410 kPa)

SHIPPING WEIGHT

3.75 LBS

PRODUCT COMPLIANCE:

- \* ASME A112.18.1 / CSA B125.1
- \* NSF 61 - Section 9
- \* NSF 372 (Low Lead Content)

