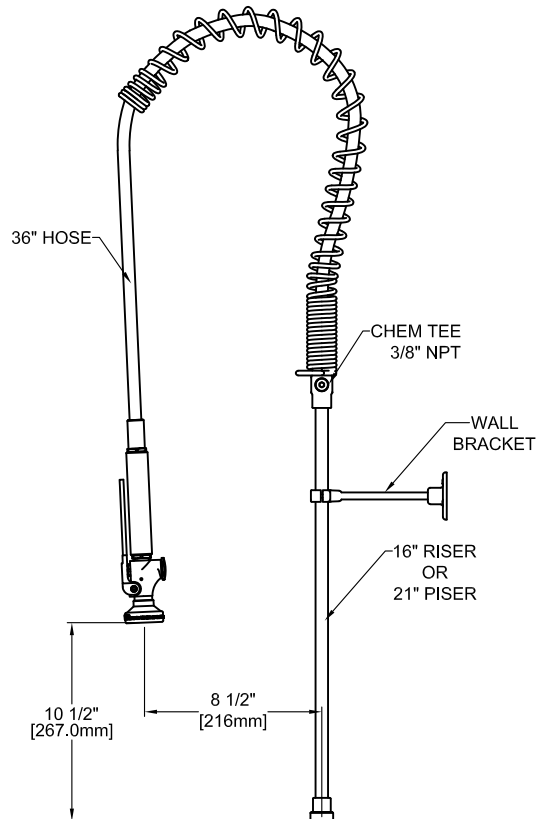
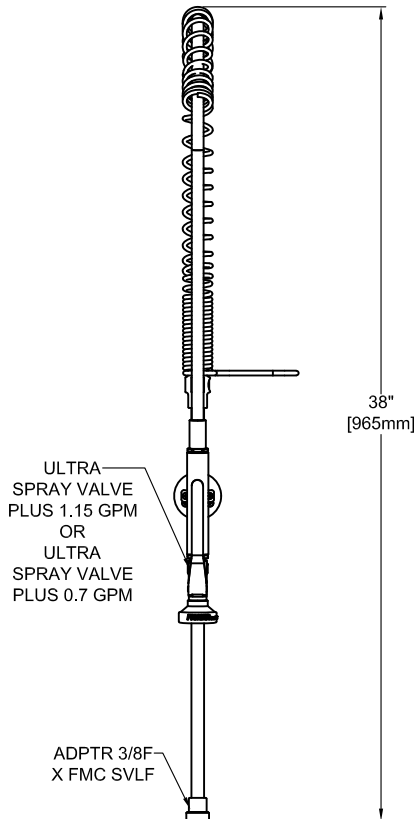
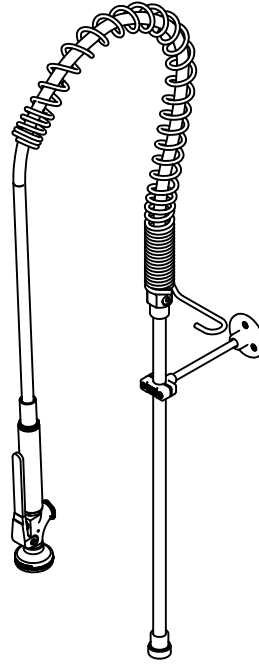
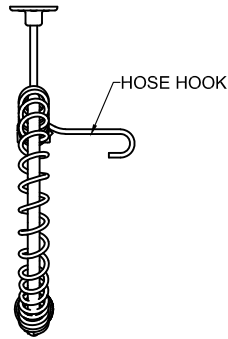


Customer/Wholesaler:	Date:	Job Name:	Model Specified:	Quantity:
Contractor:		Architect/Engineer:		

	MODEL	DESCRIPTION	RISER SIZE	FLOW RATE
<input type="checkbox"/>	97993	PRERINSE SPG	16"	1.15 GPM
<input type="checkbox"/>	2928	PRERINSE SPG	21"	1.15 GPM
<input type="checkbox"/>	75595	PRERINSE SPG	21"	0.7 GPM
<input type="checkbox"/>	75594	PRERINSE SPG	16"	0.7 GPM



<p>PRODUCT SPECIFICATIONS: PRE-RINSE UNIT: 36" FLEXIBLE STAINLESS STEEL HOSE, 0.70 OR 1.15 GPM SPRAY VALVE, 16" OR 21" RISER, 12" WALL BRACKET, ADPTR 3/8F X FMC SVLF</p>	<p>PRODUCT COMPLIANCE: ASME A112.18.1 / CSA B125.1 NSF 61 - Section 9 NSF 372 (Low Lead Content) 2019 DOE PRSV - Class II</p>
---	--



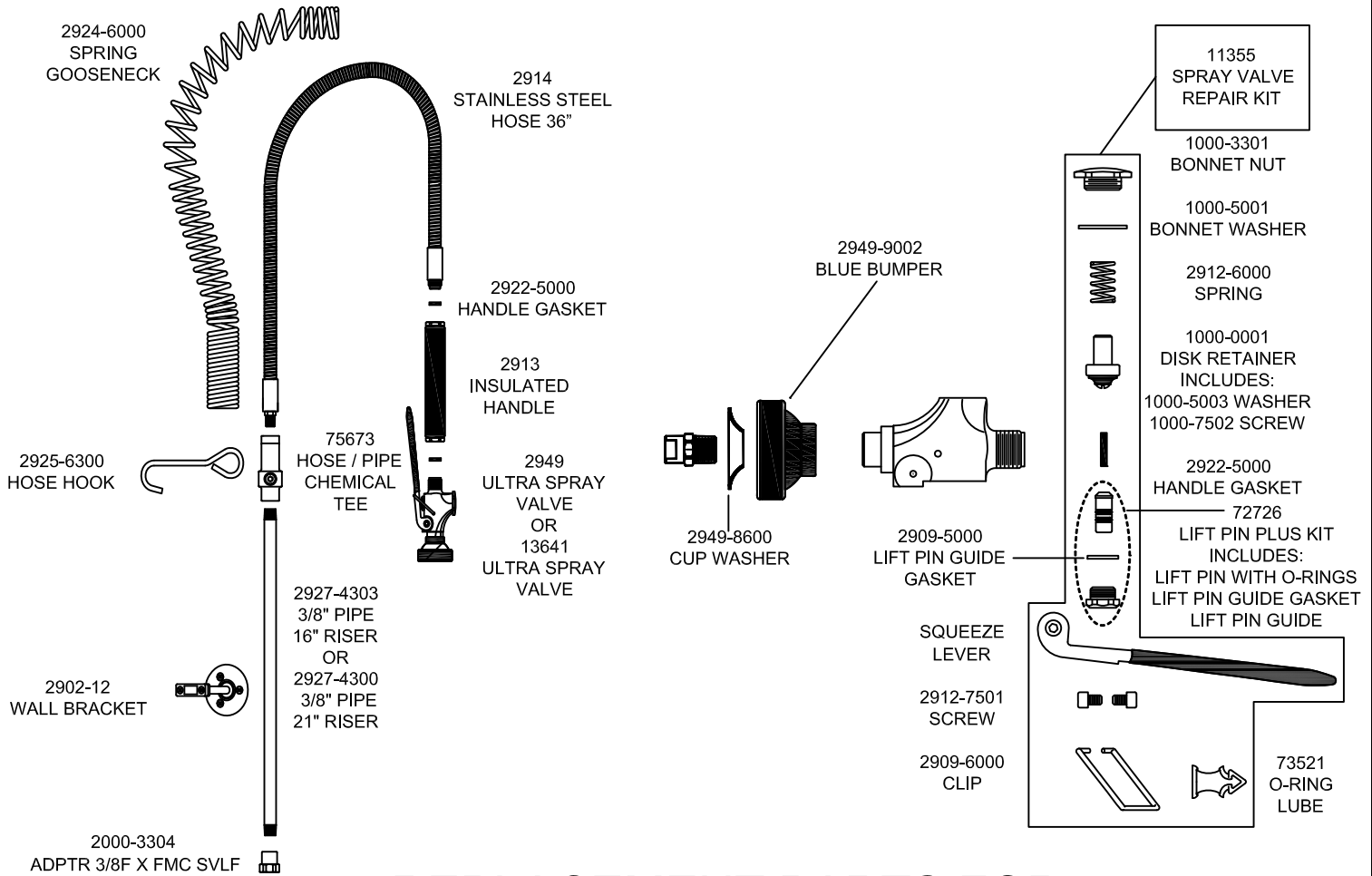
FISHER MANUFACTURING COMPANY TOLL FREE: 800-421-6162 - FAX: 800-832-8238
customer@fisherfaucets.com - www.fisherfaucets.com

PRODUCT NAME:

PRERINSE SPG

SPEC. PRHB-SP-XX

Customer/Wholesaler:	Date:	Job Name:	Model Specified:	Quantity:
Contractor:		Architect/Engineer:		



REPLACEMENT PARTS FOR PRE-RINSE SPRING UNITS

PRODUCT SPECIFICATIONS:

PRE-RINSE UNIT: 36" FLEXIBLE STAINLESS STEEL HOSE, 0.70 OR 1.15 GPM SPRAY VALVE, 16" OR 21" RISER, 12" WALL BRACKET, ADPTR 3/8F X FMC SVLF

PRODUCT COMPLIANCE:

ASME A112.18.1 / CSA B125.1
NSF 61 - Section 9
NSF 372 (Low Lead Content)
2019 DOE PRSV - Class II

Drawn: DF	Checked: EM	Approved: DF	Date: 01/26/24	Sheet: 2 of 2
-----------	-------------	--------------	----------------	---------------