

**APPLICATION:**

**JOB NAME:**

**QUANTITY:** \_\_\_\_\_ **ITEM NO.:** \_\_\_\_\_

**PRODUCT NAME:**  
**PRE-RINSE SPRING STYLE,  
 SINGLE WALL MOUNT**

\_\_\_\_\_ **SPECIAL CONFIGURATION  
 CHECK BASE MODEL AND OPTIONS**

**MODEL:**

2710 **ULTRA SPRAY VALVE, NO WALL BRACKET**

2710-WB **ULTRA SPRAY VALVE, WALL BRACKET**

**OPTIONS OR MODIFICATIONS:**

SUPPLY LINES (24" OR 36") CIRCLE LENGTH

ADD-ON FAUCET (6", 8", 10", 12", 14", 16") CIRCLE

IN-LINE DUAL CHECK VALVE

BRUSH

NIPPLES

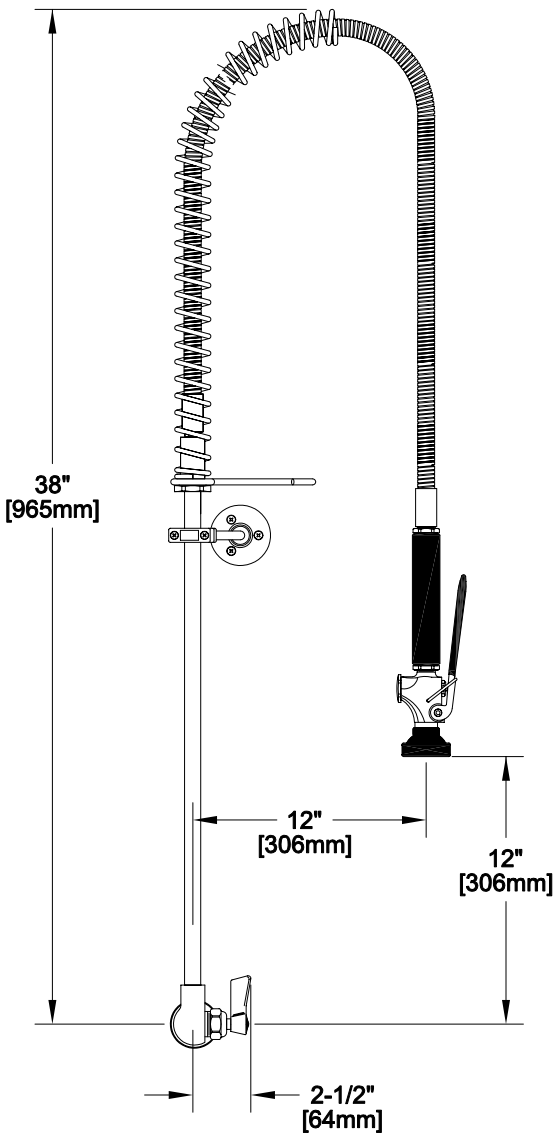
ELBOWS

VANDAL RESISTANT KIT

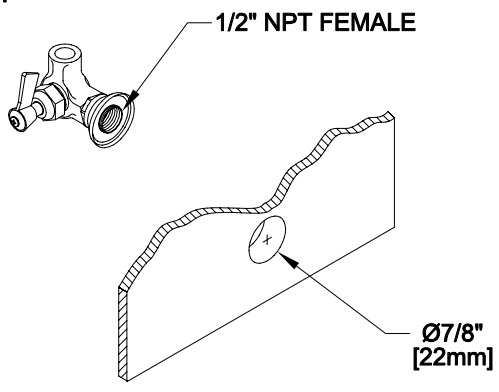
HANDLES (CROSS OR WRIST) CIRCLE STYLE

OTHER \_\_\_\_\_

- FEATURES**
- CONTROL VALVE**
- \* SINGLE WALL MOUNT
  - \* SWIVELLING SEAT DISK
  - \* STEM - RIGHT HAND
  - \* STAINLESS STEEL SEAT
  - \* STAINLESS STEEL SEAT SCREW
  - \* STAINLESS STEEL HANDLE SCREW
  - \* HOT AND COLD INDEX BUTTONS
- HOSE**
- \* 36" LENGTH
  - \* STAINLESS STEEL END FITTINGS
  - \* STAINLESS STEEL EXTERNAL JACKET
  - \* 3 PLY FIBER REINFORCED INTERNAL RUBBER HOSE
  - \* REPAIRABLE IN FIELD WITH SIMPLE TOOLS
- ULTRA SPRAY VALVE**
- \* LOWEST ENERGY USER - 1.15 GPM @ 60 PSI
  - \* CLEANS FASTER - TEST PROVEN
  - \* ENGINEERED TO LAST - NO 'O' RINGS TO LEAK
  - \* INTERCHANGEABLE - FITS ALL BRANDS
- WALL BRACKET**
- \* ADJUSTS FROM 2" TO 12"
- SYSTEM LIMITS**
- \* TEMP: 40°F MIN. TO 140°F MAX.
  - \* PRESSURE: 200 PSI MAX. STATIC
- SHIPPING WEIGHT**
- \* 10.0 LBS



**ROUGH-IN:**



***FISHER***  
 FISHER MANUFACTURING COMPANY  
 TOLL FREE: 800-421-6162 - FAX: 800-832-8238  
 information@fisher-mfg.com - www.fisher-mfg.com