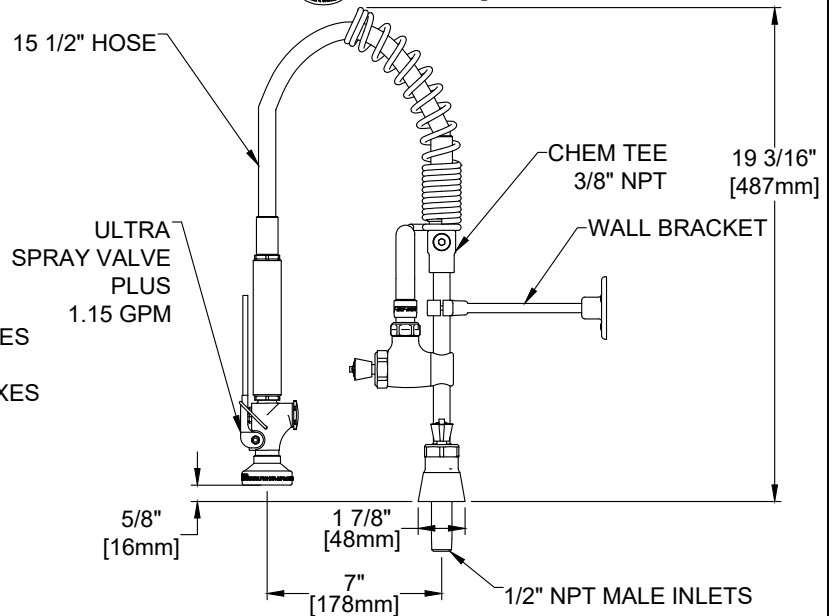
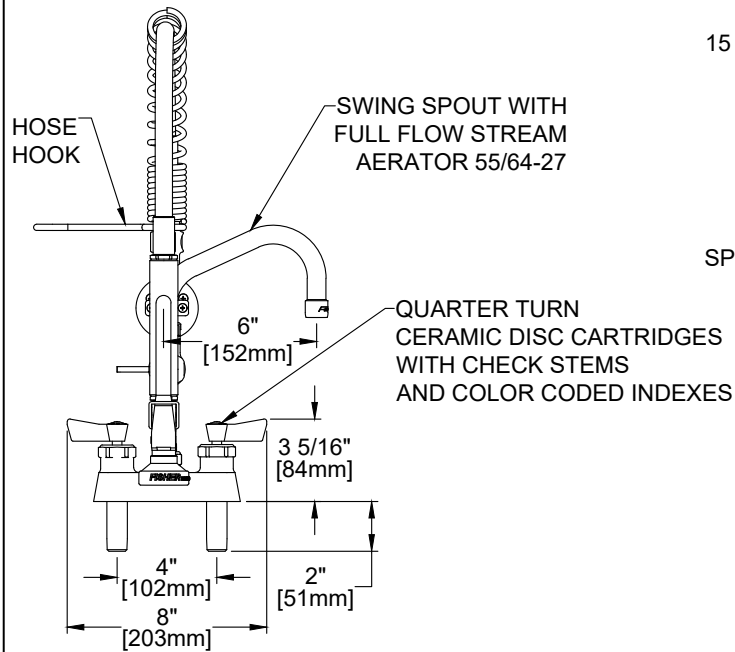
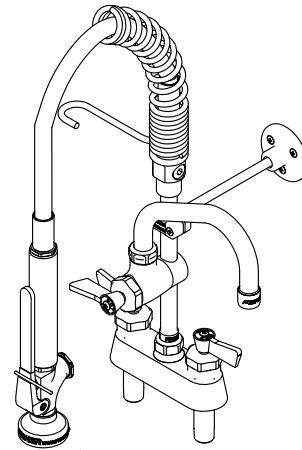
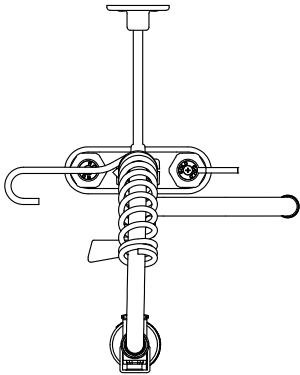


Customer/Wholesaler:	Date:	Job Name:	Model Specified: 75480	Quantity:
Contractor:		Architect/Engineer:		



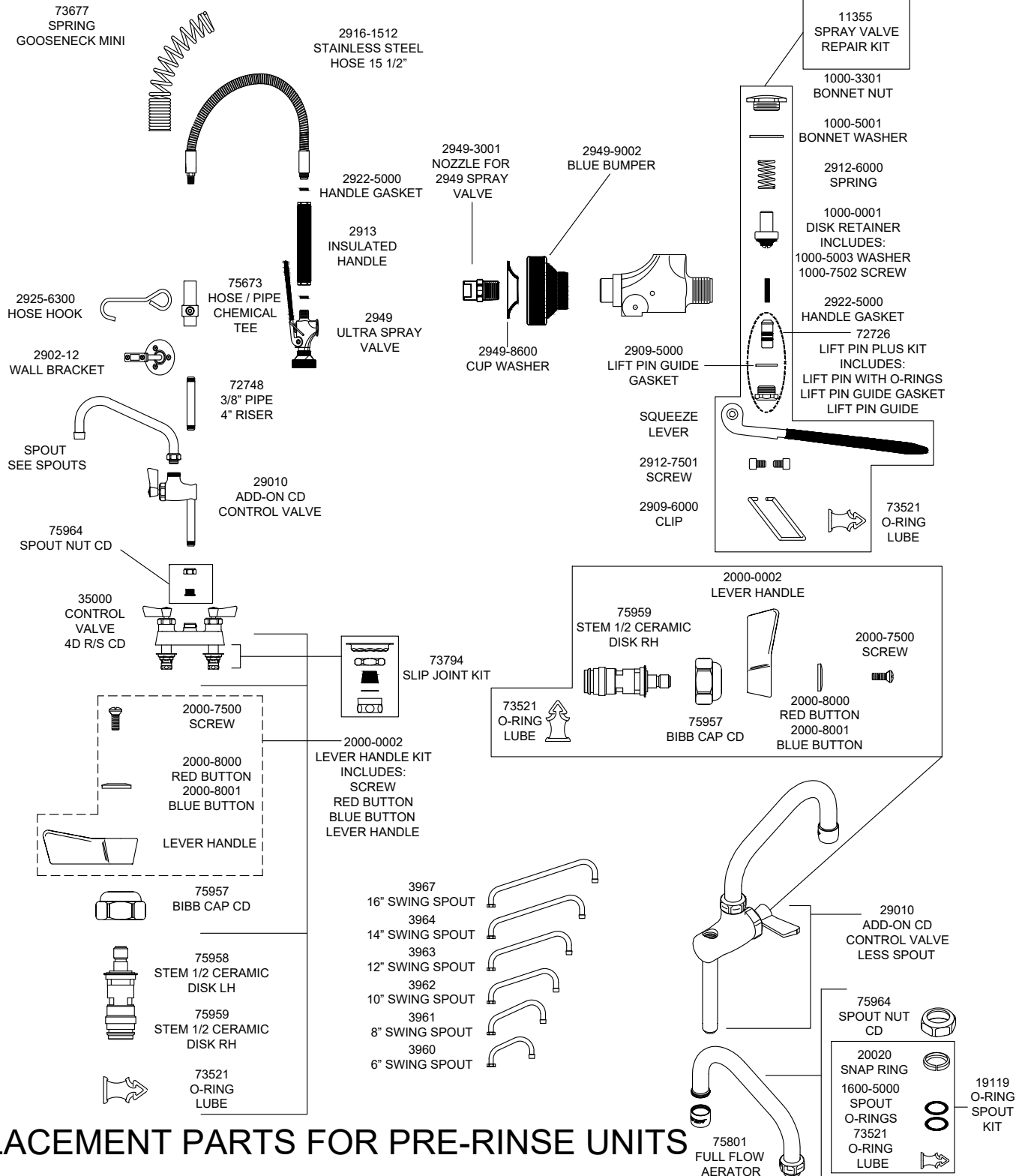
PRODUCT SPECIFICATIONS:

PRE-RINSE UNIT: LOW PROFILE SPRING, 4" DECK MOUNT MIXING FAUCET, QUARTER TURN CERAMIC DISC CARTRIDGES W/CHECK STEMS, LEVER HANDLES, ADD-ON FAUCET W/SWING SPOUT, 15 1/2" FLEXIBLE STAINLESS STEEL HOSE, 1.15 GPM SPRAY VALVE, 12" WALL BRACKET, 1/2" NPT MALE INLETS

PRODUCT COMPLIANCE:

ASME A112.18.1 / CSA B125.1
NSF 61 - Section 9
NSF 372 (Low Lead Content)
2019 DOE PRSV - Class II

Customer/Wholesaler:	Date:	Job Name:	Model Specified: 75480	Quantity:
Contractor:		Architect/Engineer:		



REPLACEMENT PARTS FOR PRE-RINSE UNITS

PRODUCT SPECIFICATIONS:

PRE-RINSE UNIT: LOW PROFILE SPRING, 4" DECK MOUNT MIXING FAUCET, QUARTER TURN CERAMIC DISC CARTRIDGES W/CHECK STEMS, LEVER HANDLES, ADD-ON FAUCET W/SWING SPOUT, 15 1/2" FLEXIBLE STAINLESS STEEL HOSE, 1.15 GPM SPRAY VALVE, 12" WALL BRACKET, 1/2" NPT MALE INLETS

PRODUCT COMPLIANCE:

ASME A112.18.1 / CSA B125.1
NSF 61 - Section 9
NSF 372 (Low Lead Content)
2019 DOE PRSV - Class II

Drawn: LC	Checked: EM	Approved: LC	Date: 03/11/24	Sheet: 2 of 2
-----------	-------------	--------------	----------------	---------------