



FISHER MANUFACTURING COMPANY TOLL FREE: 800-421-6162 - FAX: 800-832-8238
customer@fisherfaucets.com - www.fisherfaucets.com

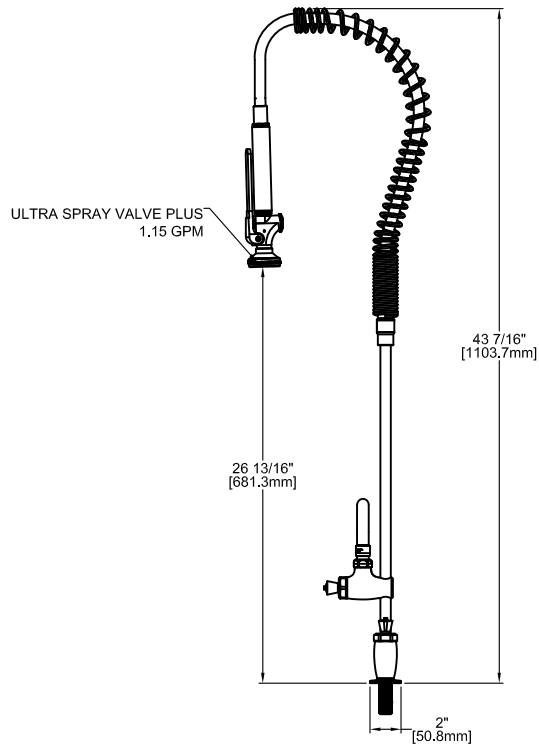
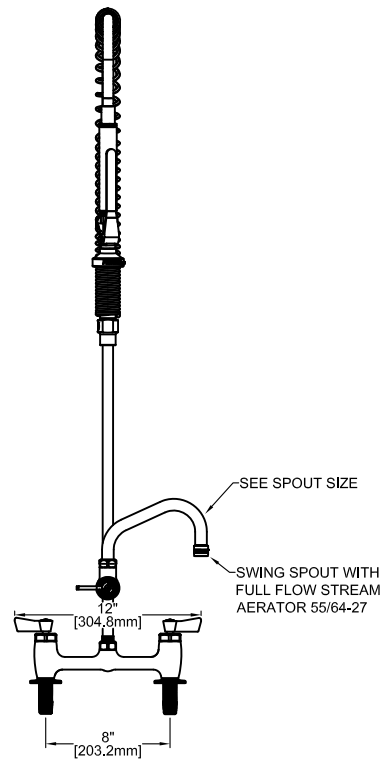
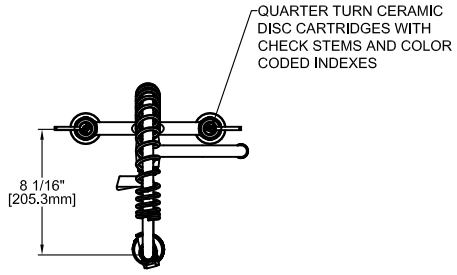
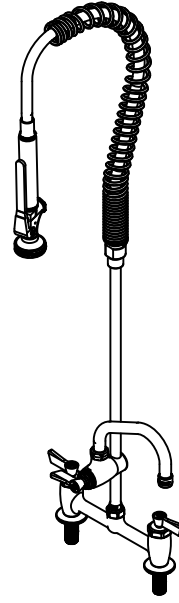
PRODUCT NAME:

PRERINSE SPG 8DCDLH

SPEC. PRCB-SPA-8DLL

Customer/Wholesaler:	Date:	Job Name:	Model Specified:	Quantity:
Contractor:		Architect/Engineer:		

	MODEL	DESCRIPTION	SPOUT SIZE
<input type="checkbox"/>	34220	PRERINSE SPG 8DCDLH	06SS
<input type="checkbox"/>	34260	PRERINSE SPG 8DCDLH	12SS



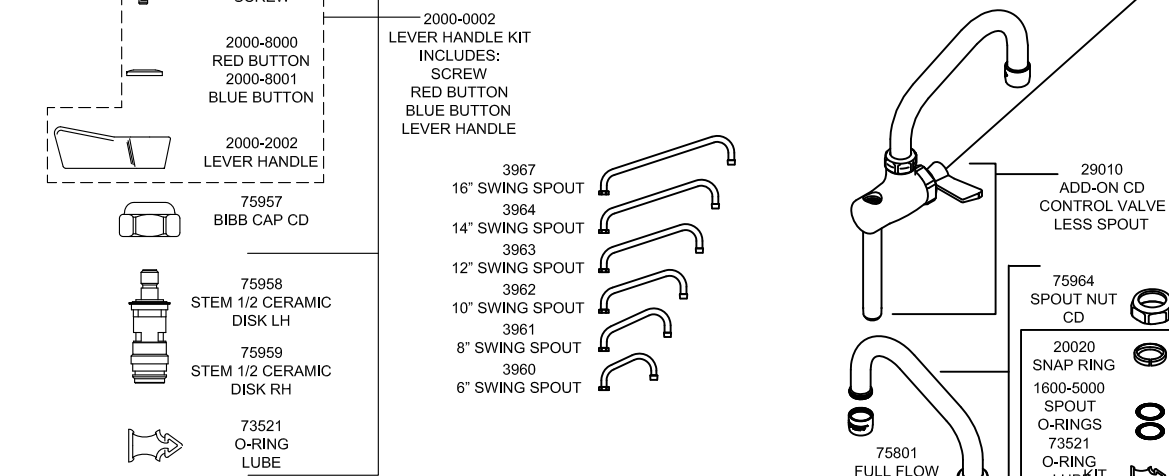
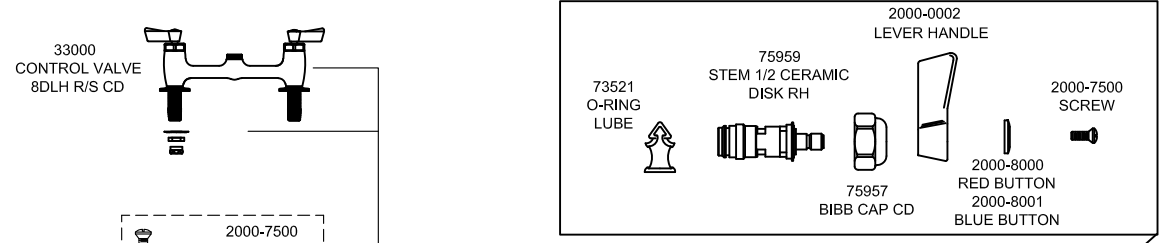
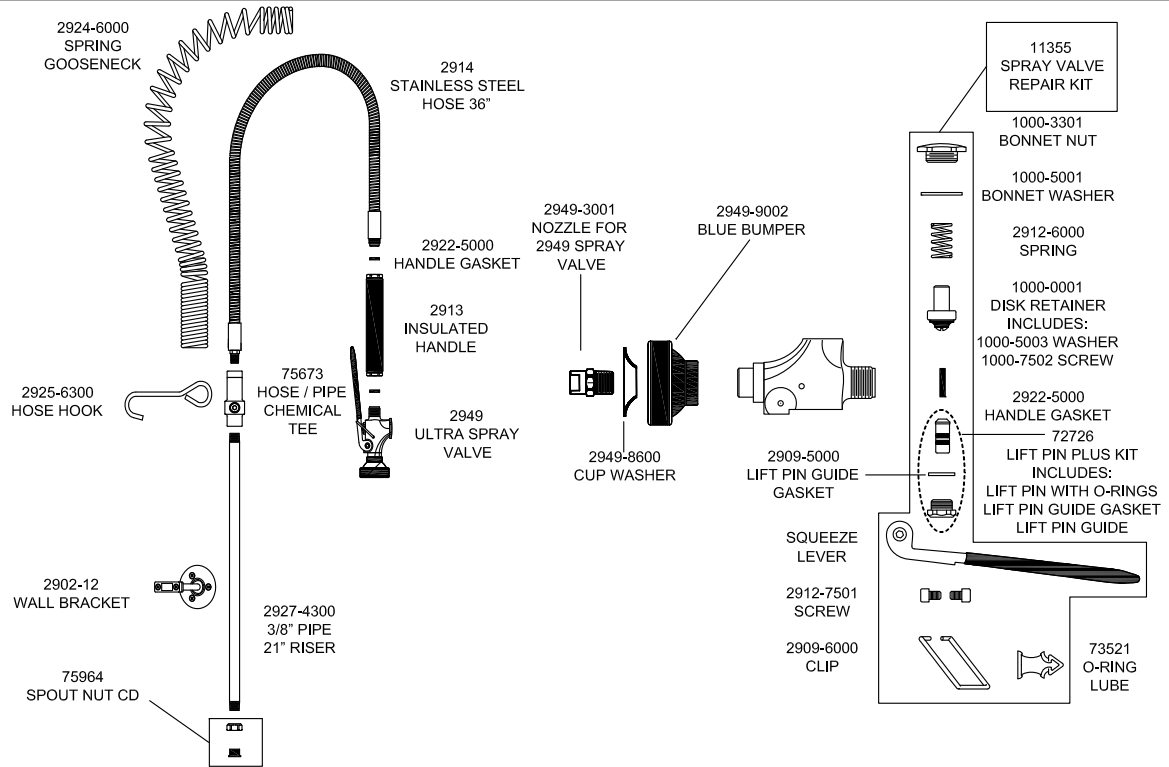
PRODUCT SPECIFICATIONS:

Pre-Rinse Unit: 8" Deck Mount Mixing Faucet, Quarter-Turn Ceramic Cartridges, Lever Handles, Add-On Faucet w/ Swing Spout, Nozzle, 36" Flexible Stainless Steel Hose, 1.15 GPM Spray Valve, In-Line Check Valves, 12" Wall Bracket & 1/2" NPT Female Inlets

PRODUCT COMPLIANCE:

ASME A112.18.1 / CSA B125.1
NSF 61 - Section 9
NSF 372 (Low Lead Content)
2019 DOE PRSV - Class II

Customer/Wholesaler:	Date:	Job Name:	Model Specified:	Quantity:
Contractor:		Architect/Engineer:		



Replacement Parts for Pre-Rinse Units

PRODUCT SPECIFICATIONS:

Pre-Rinse Unit: 8" Deck Mount Mixing Faucet, Quarter-Turn Ceramic Cartridges, Lever Handles, Add-On Faucet w/ Swing Spout, Nozzle, 36" Flexible Stainless Steel Hose, 1.15 GPM Spray Valve, In-Line Check Valves, 12" Wall Bracket & 1/2" NPT Female Inlets

PRODUCT COMPLIANCE:

ASME A112.18.1 / CSA B125.1
NSF 61 - Section 9
NSF 372 (Low Lead Content)
2019 DOE PRSV - Class II

Drawn: DF	Checked: EM	Approved: DF	Date: 01/23/24	Sheet: 2 of 2
-----------	-------------	--------------	----------------	---------------