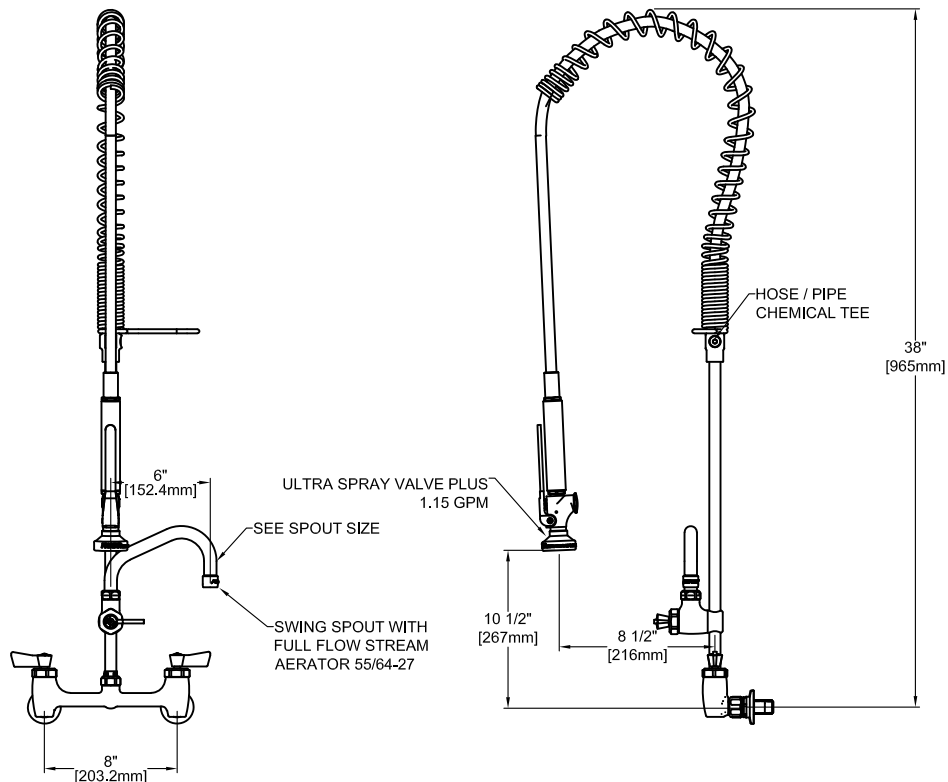
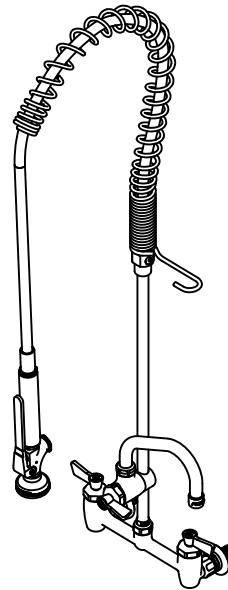
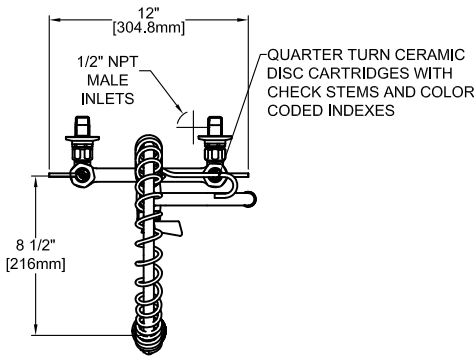


Customer/Wholesaler:	Date:	Job Name:	Model Specified:	Quantity:
Contractor:		Architect/Engineer:		

MODEL	DESCRIPTION	SPOUT SIZE
<input type="checkbox"/>	34430 PRERINSE SPG 8BSCDLH	06SS
<input type="checkbox"/>	34450 PRERINSE SPG 8BSCDLH	10SS
<input type="checkbox"/>	34410 PRERINSE SPG 8BSCDLH	12SS
<input type="checkbox"/>	34470 PRERINSE SPG 8BSCDLH	14SS
<input type="checkbox"/>	34480 PRERINSE SPG 8BSCDLH	16SS



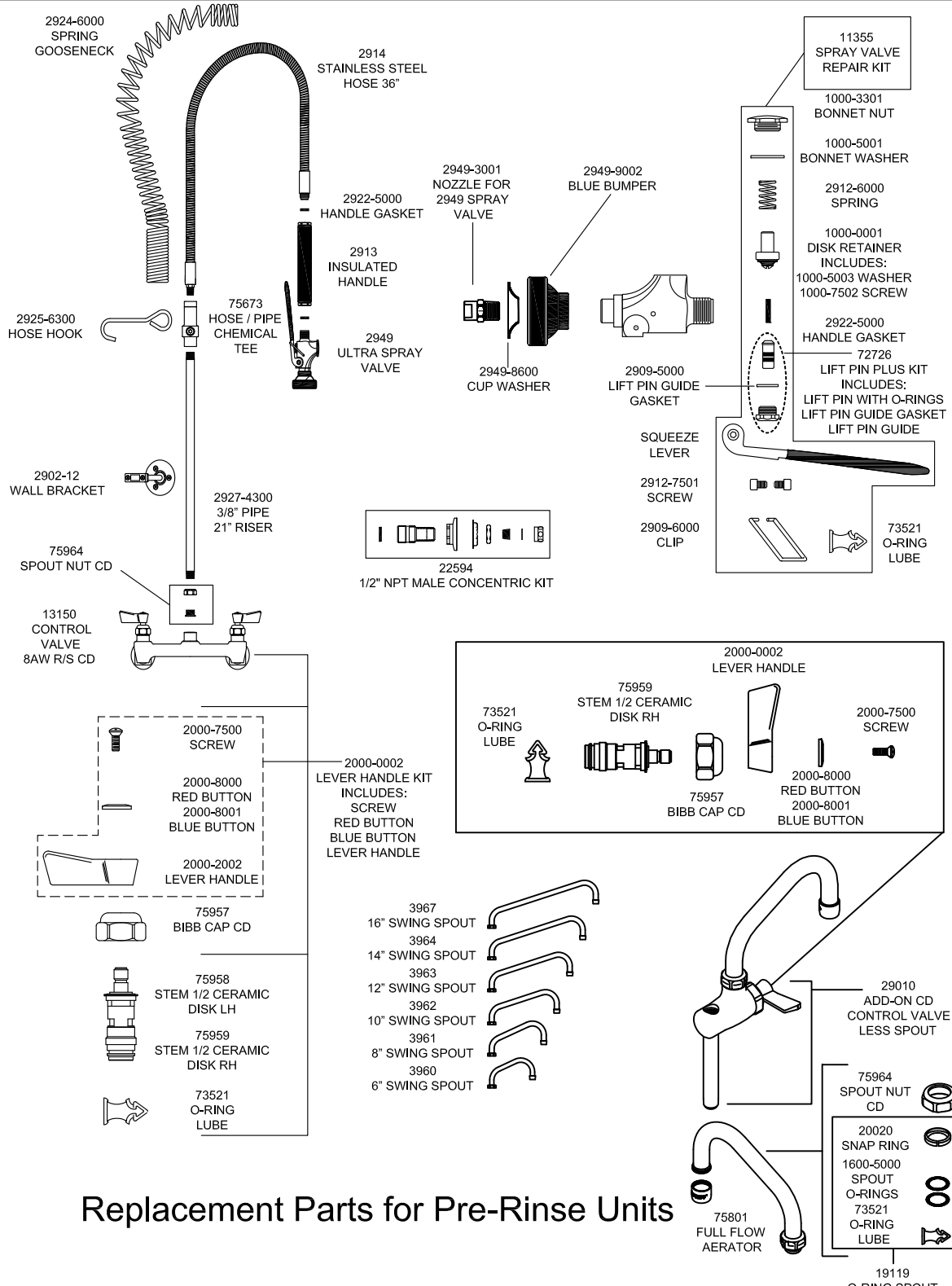
PRODUCT SPECIFICATIONS:

Pre-Rinse Unit: 8" Backspalsh Mixing Faucet, Quarter-Turn Ceramic Cartridges, Lever Handles, Add-On Faucet w/ Swing Spout, Nozzle, 36" Flexible Stainless Steel Hose, 1.15 GPM Spray Valve, In-Line Check Valves, 12" Wall Bracket & 1/2" NPT Female Inlets

PRODUCT COMPLIANCE:

ASME A112.18.1 / CSA B125.1
NSF 61 - Section 9
NSF 372 (Low Lead Content)
2019 DOE PRSV - Class II

Customer/Wholesaler:	Date:	Job Name:	Model Specified:	Quantity:
Contractor:		Architect/Engineer:		



Replacement Parts for Pre-Rinse Units

PRODUCT SPECIFICATIONS:

Pre-Rinse Unit: 8" Backspalsh Mixing Faucet, Quarter-Turn Ceramic Cartridges, Lever Handles, Add-On Faucet w/ Swing Spout, Nozzle, 36" Flexible Stainless Steel Hose, 1.15 GPM Spray Valve, In-Line Check Valves, 12" Wall Bracket & 1/2" NPT Female Inlets

PRODUCT COMPLIANCE:

ASME A112.18.1 / CSA B125.1
NSF 61 - Section 9
NSF 372 (Low Lead Content)
2019 DOE PRSV - Class II