

FISHER[®]

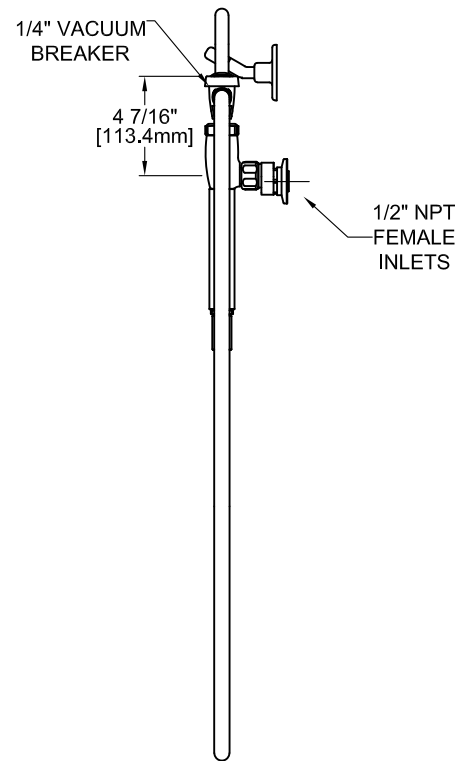
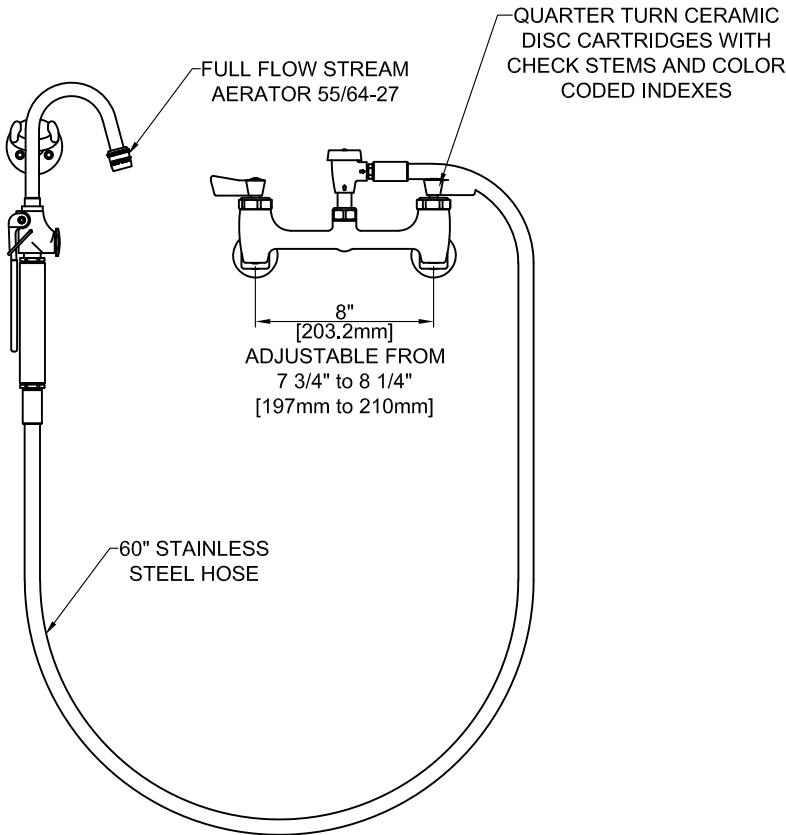
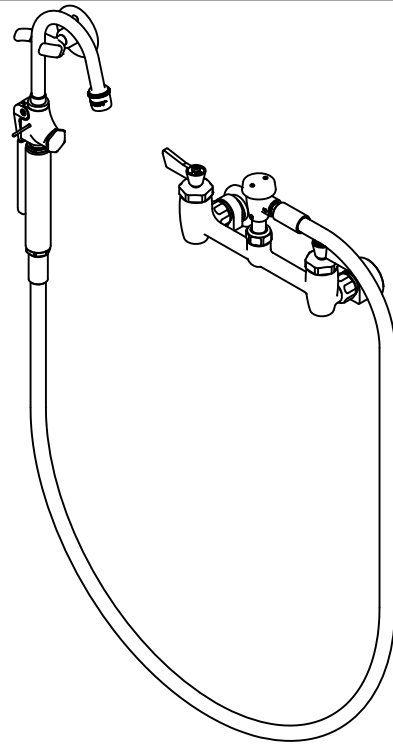
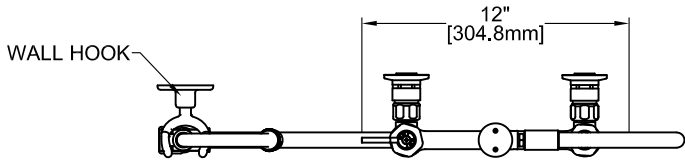
FISHER MANUFACTURING COMPANY TOLL FREE: 800-421-6162 - FAX: 800-832-8238
customer@fisherfaucets.com - www.fisherfaucets.com

PRODUCT NAME:

POT FILLER SVB 8AWCDLH

SPEC.HPCB-SVB-8AWLL

Customer/Wholesaler:	Date:	Job Name:	Model Specified:22400	Quantity:
Contractor:	Architect/Engineer:			



PRODUCT SPECIFICATIONS:

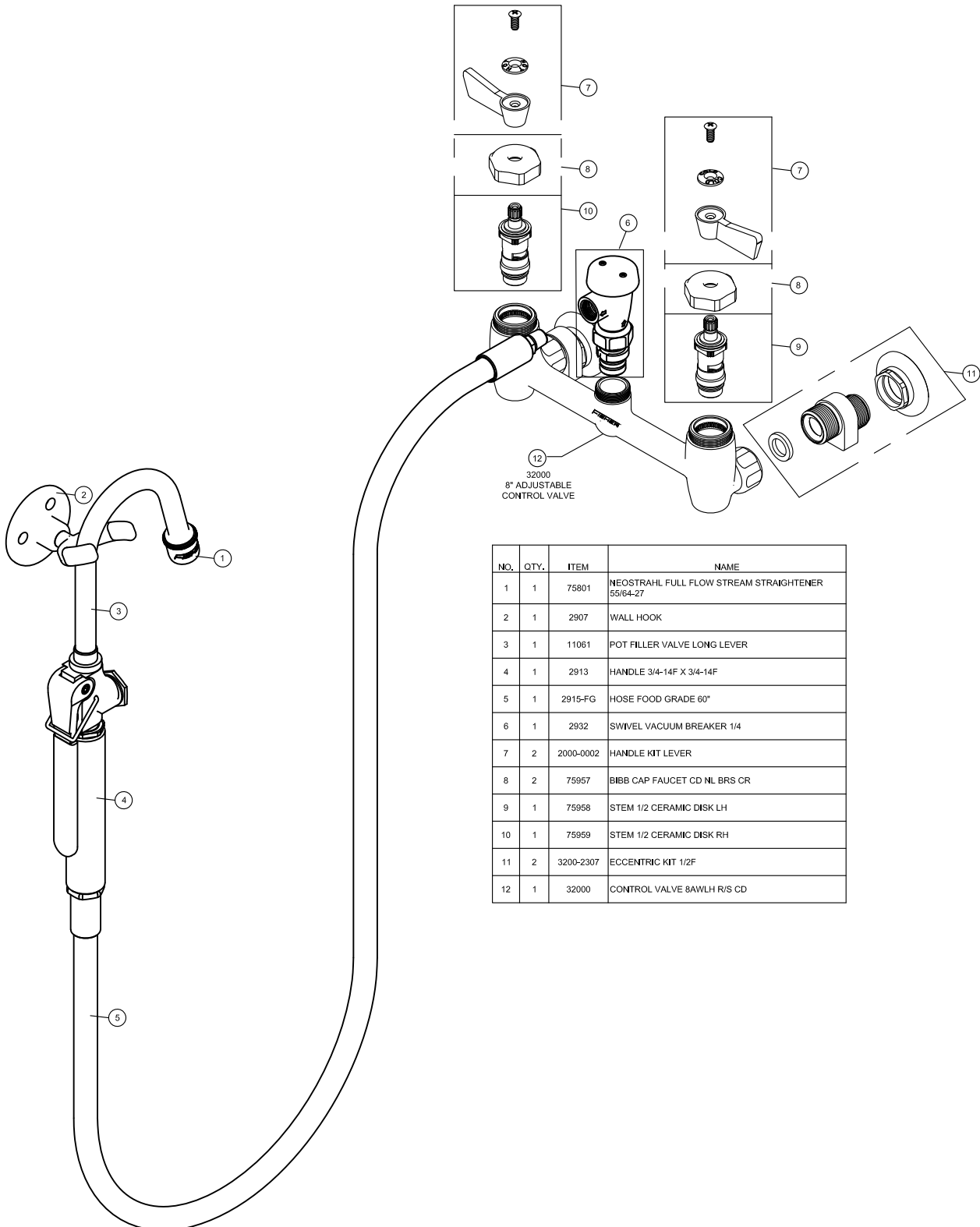
8" ADJUSTABLE WALL MOUNT MIXING FAUCET, QUARTER-TURN CERAMIC DISC CARTRIDGES W/ SPRING CHECKS, LEVER HANDLES, 1/4" NPT VACUUM BREAKER, 60" FLEXIBLE STAINLESS STEEL HOSE, POT FILLER WITH FULL FLOW STREAM AERATOR 55/64-27, W/ HOOK & 1/2" NPT FEMALE INLETS

PRODUCT COMPLIANCE:

ASME A112.18.1 / CSA B125.1
NSF 61 - Section 9
NSF 372 (Low Lead Content)
ASSE 1001 (VB)

Drawn: DF	Checked: EM	Approved: DF	Date: 02/19/24	Sheet: 1 of 2
-----------	-------------	--------------	----------------	---------------

Customer/Wholesaler:	Date:	Job Name:	Model Specified: 22400	Quantity:
Contractor:		Architect/Engineer:		



NO.	QTY.	ITEM	NAME
1	1	75801	NEOSTRAHL FULL FLOW STREAM STRAIGHTENER 55/64-27
2	1	2907	WALL HOOK
3	1	11061	POT FILLER VALVE LONG LEVER
4	1	2913	HANDLE 3/4-14F X 3/4-14F
5	1	2915-FG	HOSE FOOD GRADE 60"
6	1	2932	SWIVEL VACUUM BREAKER 1/4
7	2	2000-0002	HANDLE KIT LEVER
8	2	75957	BIBB CAP FAUCET CD NL BRS CR
9	1	75958	STEM 1/2 CERAMIC DISK LH
10	1	75959	STEM 1/2 CERAMIC DISK RH
11	2	3200-2307	ECCENTRIC KIT 1/2F
12	1	32000	CONTROL VALVE 8AWLH R/S CD

PRODUCT SPECIFICATIONS:

8" ADJUSTABLE WALL MOUNT MIXING FAUCET, QUARTER-TURN CERAMIC DISK CARTRIDGES W/ SPRING CHECKS, LEVER HANDLES, 1/4" NPT VACUUM BREAKER, 60" FLEXIBLE STAINLESS STEEL HOSE, POT FILLER WITH FULL FLOW STREAM AERATOR 55/64-27, W/ HOOK & 1/2" NPT FEMALE INLETS

PRODUCT COMPLIANCE:

ASME A112.18.1 / CSA B125.1
NSF 61 - Section 9
NSF 372 (Low Lead Content)
ASSE 1001 (VB)