

APPLICATION:

JOB NAME:

QUANTITY: ITEM NO.

PRODUCT NAME:
PEDESTAL GLASS AND PITCHER FILLER

_____ SPECIAL CONFIGURATION
 CHECK BASE MODEL AND OPTIONS

MODEL:
 1009 WITH 6" SWING SPOUT

OPTIONS OR MODIFICATIONS:
 OTHER _____

FEATURES

- * REPLACEABLE STAINLESS STEEL HEAD
- * MEETS NSF 61/SEC.9**
- * TAMPER PROOF VOLUME CONTROL
- * HANDLES BOTH PAPER & GLASS CUPS
- * NON-MARRING DELRIN PRONG
- * STAINLESS STEEL SEAT SCREWS
- * STAINLESS STEEL STREAM STRAINER
- * 6" SWING SPOUT ROTATES 360°

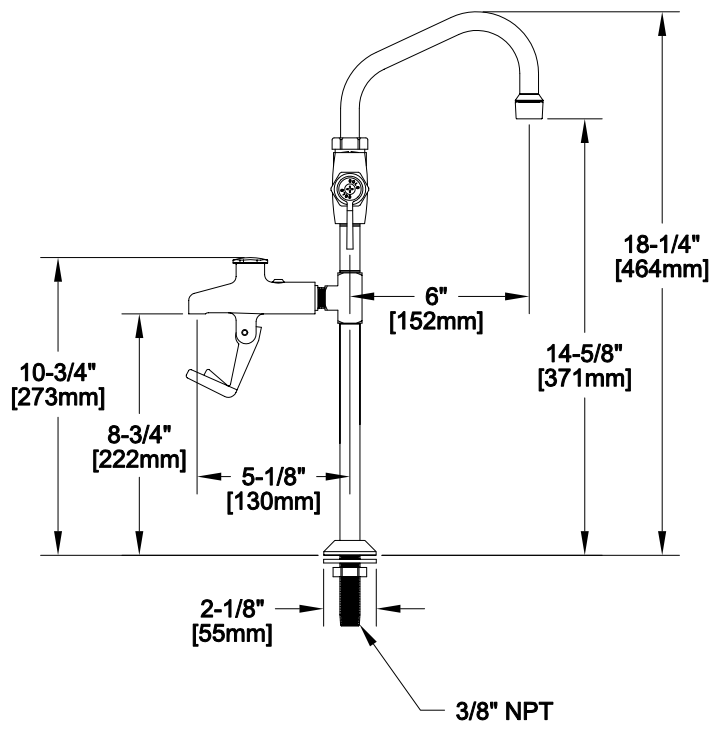
** TESTED UNDER NSF-CSA ALLIANCE PROGRAM

SYSTEM LIMITS

- * TEMP: 40°F MIN. TO 140°F MAX.
- * PRESSURE: 100 PSI MAX. STATIC

SHIPPING WEIGHT

- * 4.25 LBS



ROUGH-IN:

