

APPLICATION:

PRODUCT NAME: STAINLESS STEEL
DOUBLE KNEE CONTROL VALVE FLOOR
MOUNT

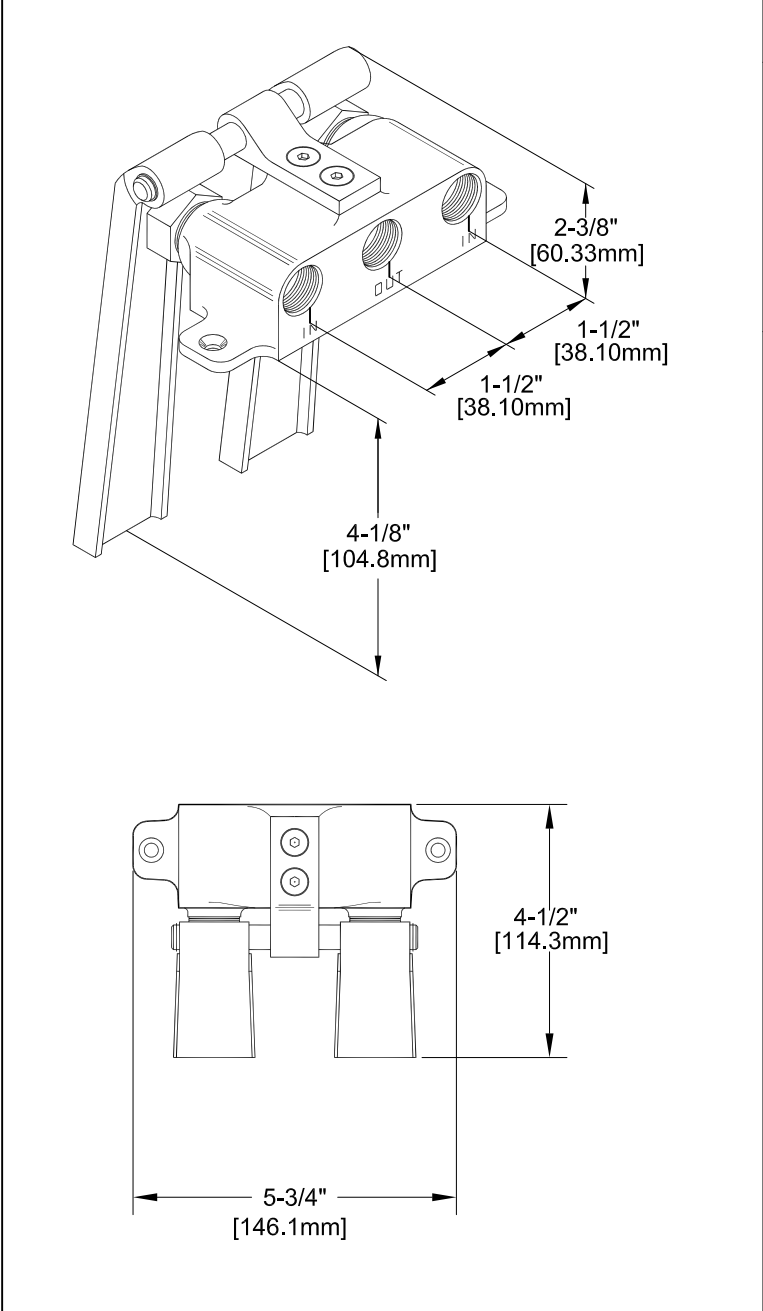
JOB NAME:

SPECIAL CONFIGURATION
 CHECK BASE MODEL AND OPTIONS

QUANTITY:

ITEM NO.

MODEL:
 48054



OPTIONS OR MODIFICATIONS:
 SUPPLY LINES (24" OR 36") CIRCLE LENGTH
 NIPPLES
 ELBOWS
 HANDLES (CROSS OR WRIST) CIRCLE STYLE
 VANDAL RESISTANT KIT
 OTHER _____

FEATURES

- * PEDAL ANODIZED ALUMINUM
- * CYLINDER CLOSING WITH WATER FLOW
- * POLISHED CHROME

RECOMMENDED SETTINGS

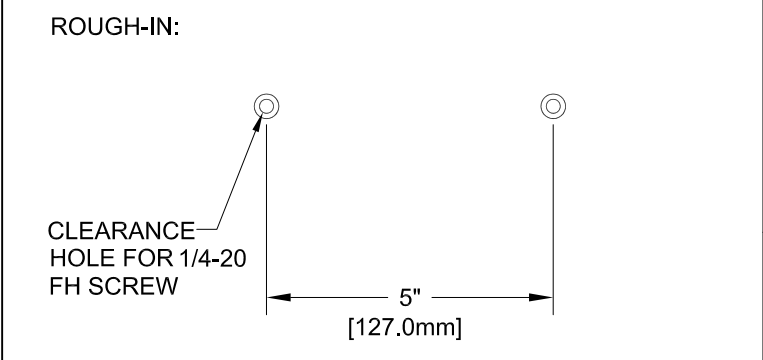
- * 110°F AT 80 PSI

SYSTEM LIMITS

- * TEMP: 40°F MIN. TO 140°F MAX.
- * PRESSURE 200 PSI MAX. STATIC

SHIPPING WEIGHT

- * 3.5 LBS



ANSI/A112.18.1M

FISHER
 FISHER MANUFACTURING COMPANY
 TOLL FREE: 800-421-6162 - FAX: 800-832-8238
 information@fisher-mfg.com - www.fisher-mfg.com