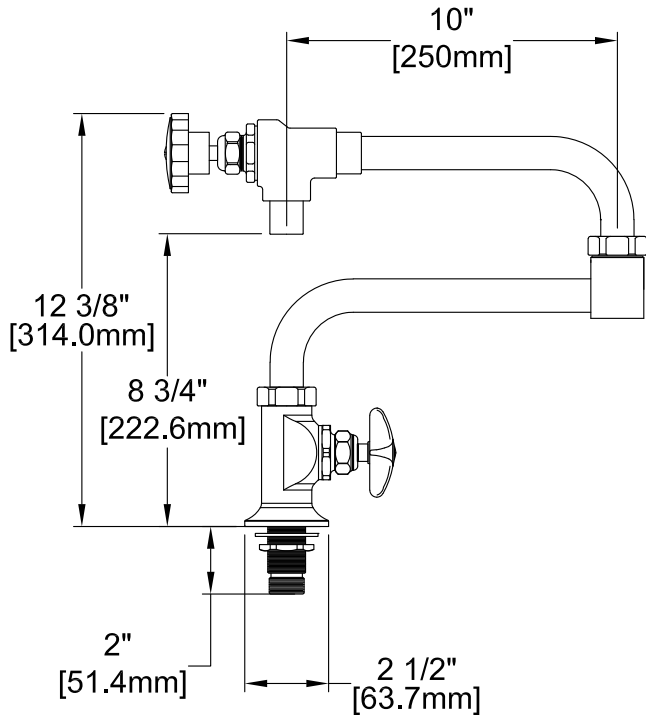


PRODUCT NAME:

3/4 FAUCET SINGLE DECK
WITH CONTROL SPOUT & DJ

SPEC. FATB-PFDJ-SDX

Customer/Wholesaler:	Date:	Job Name:	Model Specified:	Quantity:
Contractor:		Architect/Engineer:		



MODEL:

5030 3/4 FAUCET SDXH 10CS10DJ

OPTIONS OR MODIFICATIONS:

OTHER _____

FEATURES

CONTROL VALVE

- * SINGLE DECK
- * STEM - LEFT HAND
- * HOT AND COLD INDEX BUTTONS
- * SWIVELLING SEAT DISK
- * STAINLESS STEEL SEAT
- * STAINLESS STEEL SEAT SCREW
- * STAINLESS STEEL HANDLE SCREW
- * SHUT-OFF SPOUT

SYSTEM LIMITS

- * TEMP: 40°F MIN. TO 160°F MAX.
- * PRESSURE: 200 PSI MAX. STATIC
- * 29 GPM AT 80 PSI (109.1 L/min @550 KPa)

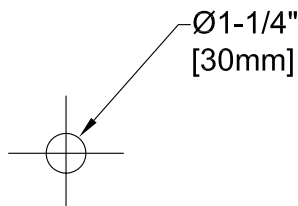
SHIPPING WEIGHT

- * 8.5 LBS

PRODUCT COMPLIANCE:

- * ASME A112.18.1 / CSA B125.1
- * NSF 61 - Section 9
- * NSF 372 (Low Lead Content)

ROUGH-IN:



Replacement Parts for Deck Mount Faucets

