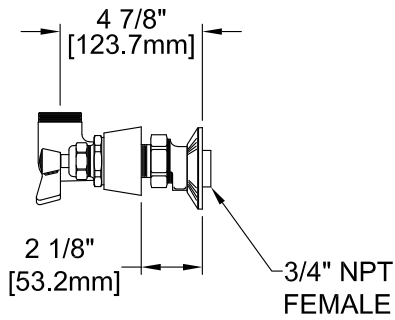
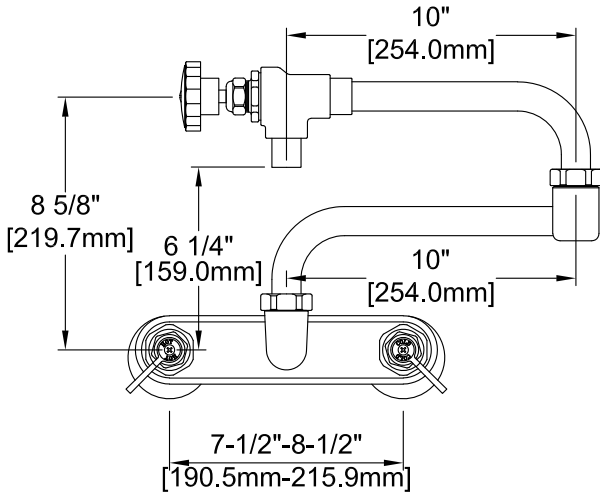
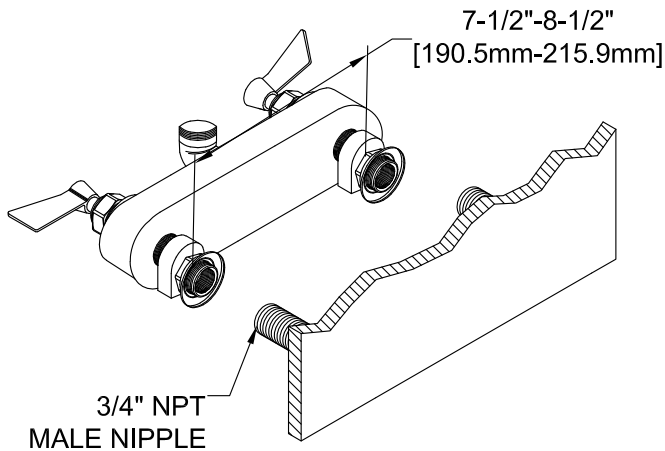


Customer/Wholesaler:	Date:	Job Name:	Model Specified:	Quantity:
Contractor:		Architect/Engineer:		



ROUGH-IN:



MODEL:

2267 3/4 FAUCET 8AWLH 10CS10DJ

OPTIONS OR MODIFICATIONS:

OTHER _____

FEATURES:

- * ECCENTRICS ADJUST FROM 7-1/2" TO 8-1/2"
- * SWIVELING SEAT DISKS
- * HOT SIDE STEM - RIGHT HAND
- * COLD SIDE STEM - LEFT HAND
- * STAINLESS STEEL SEATS
- * STAINLESS STEEL SEAT SCREWS
- * STAINLESS STEEL HANDLE SCREWS

SYSTEM LIMITS

- * TEMP: 40°F MIN. TO 160°F MAX.
- * PRESSURE 200 PSI MAX. STATIC
- * 29 GPM AT 80 PSI (109.7 L/min @550 KPa)

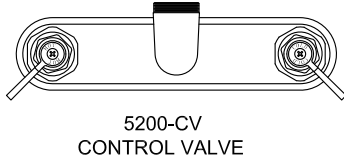
SHIPPING WEIGHT

- * 13.00 LBS

PRODUCT COMPLIANCE:

- * ASME A112.18.1 / CSA B125.1
- * NSF 61 - Section 9
- * NSF 372 (Low Lead Content)

Replacement Parts for 3/4" Wall Mount Faucets



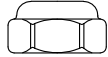
2000-7500
SCREW



2000-8000
RED BUTTON
AND
2000-8001
BLUE BUTTON



LEVER HANDLE



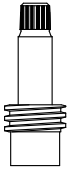
2000-3002
BIBB CAP



73657
DUCK GASKET



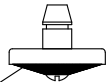
2000-5000
WASHER



5000-0012
RH CHECK STEM
REPAIR KIT
OR
5000-0013
LH CHECK STEM
REPAIR KIT

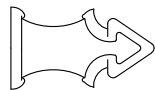


2000-6000
SPRING

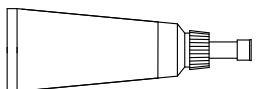


73453
RETAINER
ASSEMBLY

73550
SEAT WASHER



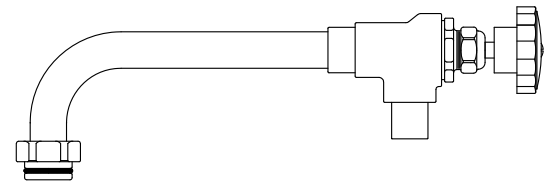
73521
LUBE



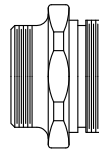
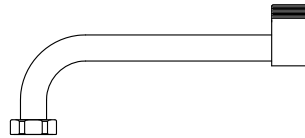
2992
PST

2000-0002
HANDLE LEVER KIT

5071
10" CONTROL
SWING
SPOUT



5000-0003
10" DJ SPOUT



73570
rh stem adapter
or
73569
lh stem adapter



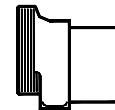
73477
HEX NUT



76899
ADAPTER
FLANGE



73547
ECCENTRIC
GASKET



73548
ECCENTRIC



73549
FLANGE