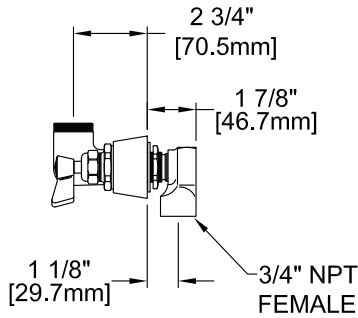
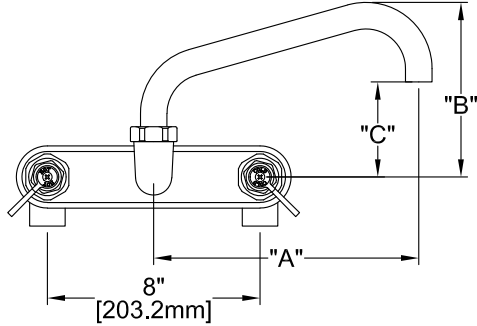
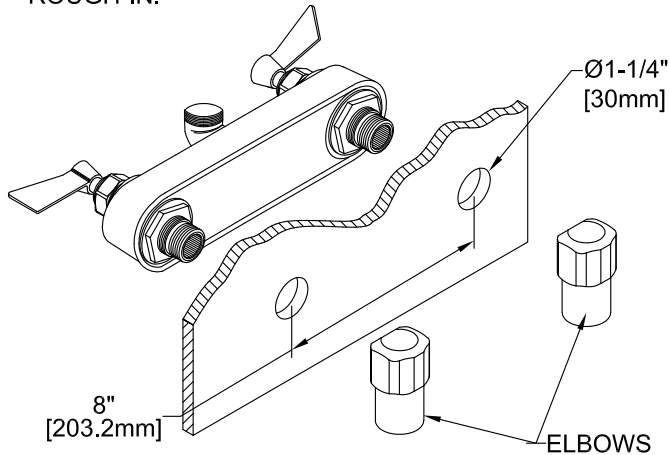


Customer/Wholesaler:	Date:	Job Name:	Model Specified:	Quantity:
Contractor:		Architect/Engineer:		



MODEL	DIM "A"	DIM "B"	DIM "C"
5412	10" [250MM]	3-5/8" [92MM]	6-5/8" [168MM]
5414	14" [350MM]	4-3/4" [120MM]	7-3/4" [197MM]

**ROUGH-IN:**



**MODEL:**

- 5412 3/4 FAUCET 8BSELH 10SS
- 5412 3/4 FAUCET 8BSELH 14SS

**OPTIONS OR MODIFICATIONS:**

- OTHER ELBOWS

**FEATURES**

- \* 8" BACKSPLASH
- \* SWIVELLING SEAT DISKS
- \* HOT SIDE STEM - LEFT HAND
- \* COLD SIDE STEM - RIGHT HAND
- \* STAINLESS STEEL SEATS
- \* STAINLESS STEEL SEAT SCREWS
- \* STAINLESS STEEL HANDLE SCREWS
- \* CLOSE ELBOWS

**SYSTEM LIMITS**

- \* TEMP: 40°F MIN. TO 160°F MAX.
- \* PRESSURE 200 PSI MAX. STATIC
- \* 37 GPM AT 80 PSI (140.0 L/min @550 KPa)

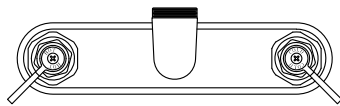
**SHIPPING WEIGHT**

- \* 9.0 LBS

**PRODUCT COMPLIANCE:**

- \* ASME A112.18.1 / CSA B125.1
- \* NSF 61 - Section 9
- \* NSF 372 (Low Lead Content)

## Replacement Parts for 3/4" Backsplash Faucets



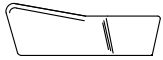
5400  
CONTROL VALVE



2000-7500  
SCREW



2000-8000  
RED BUTTON  
AND  
2000-8001  
BLUE BUTTON



LEVER HANDLE

2000-0002  
HANDLE LEVER KIT



2000-3002  
BIBB CAP

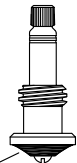


73657  
DUCK GASKET



2000-5000  
WASHER

5000-0010  
RH SWIVEL  
STEM REPAIR  
KIT  
OR  
5000-0011  
LH SWIVEL STEM



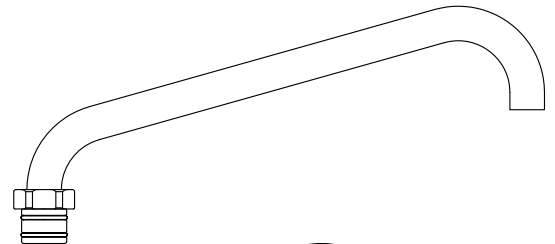
5000-0006  
LH SWIVEL  
STEM  
OR  
5000-0007  
RH SWIVEL  
STEM

73550  
SEAT WASHER

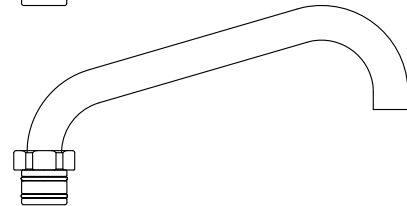
1000-7502  
SCREW



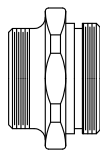
73521  
LUBE



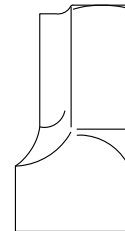
5000-0002  
14" SWING SPOUT



5000-0001  
10" SWING SPOUT



73570  
RIGHT HAND  
STEM ADAPTER  
OR  
73569  
LEFT HAND  
STEM ADAPTER



5000-2103  
3/4" ELBOW