

Customer/Wholesaler:	Date:	Job Name:	Model Specified:	Quantity:
Contractor:		Architect/Engineer:		

**MODEL:**

- 5212 3/4 FAUCET 8AWLH 10SS
- 5214 3/4 FAUCET 8AWLH 14SS

**OPTIONS OR MODIFICATIONS:**

- OTHER \_\_\_\_\_

**FEATURES:**

- \* ECCENTRICS ADJUST FROM 7-1/2" TO 8-1/2"
- \* SWIVELING SEAT DISKS
- \* HOT SIDE STEM - RIGHT HAND
- \* COLD SIDE STEM - LEFT HAND
- \* STAINLESS STEEL SEATS
- \* STAINLESS STEEL SEAT SCREWS
- \* STAINLESS STEEL HANDLE SCREWS

**SYSTEM LIMITS**

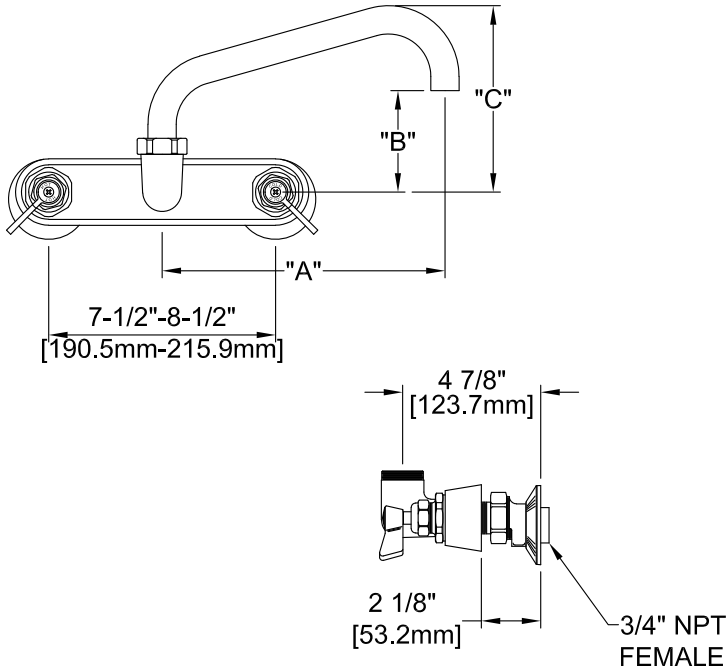
- \* TEMP: 40°F MIN. TO 160°F MAX.
- \* PRESSURE 200 PSI MAX. STATIC
- \* 37 GPM AT 80 PSI (140.0 L/min @550 KPa)

**SHIPPING WEIGHT**

- \* 9.5 LBS

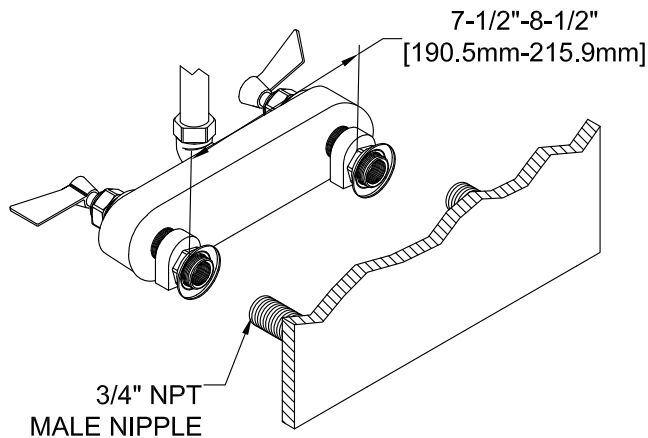
**PRODUCT COMPLIANCE:**

- \* ASME A112.18.1 / CSA B125.1
- \* NSF 61 - Section 9
- \* NSF 372 (Low Lead Content)

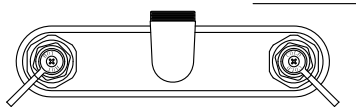


MODEL	DIM "A"	DIM "B"	DIM "C"
5212	10" [254.0mm]	3-1/2" [88.9mm]	6-5/8" [168.3mm]
5214	14" [355.6mm]	4-5/8" [117.5mm]	7-3/4" [196.9mm]

**ROUGH-IN:**



## Replacement Parts for 3/4" Wall Mount Faucets



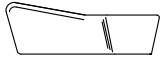
5200  
CONTROL VALVE



2000-7500  
SCREW



2000-8000  
RED BUTTON  
AND  
2000-8001  
BLUE BUTTON



LEVER HANDLE



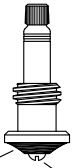
2000-3002  
BIBB CAP



73657  
DUCK GASKET



2000-5000  
WASHER



5000-0006  
LH SWIVEL  
STEM  
OR  
5000-0007  
RH SWIVEL  
STEM

73550  
SEAT WASHER



1000-7502  
SCREW

73521  
LUBE

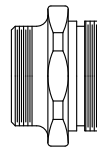
2000-0002  
HANDLE LEVER KIT

5000-0010  
RH SWIVEL  
STEM REPAIR  
KIT  
OR  
5000-0011  
LH SWIVEL STEM

5000-0002  
14" SWING SPOUT



5000-0001  
10" SWING SPOUT



73570  
rh stem adapter  
or  
73569  
lh stem adapter



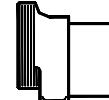
73477  
HEX NUT



76899  
ADAPTER  
FLANGE



73547  
ECCENTRIC  
GASKET



73548  
ECCENTRIC



73549  
FLANGE