



FISHER MANUFACTURING COMPANY TOLL FREE: 800-421-6162 - FAX: 800-832-8238
customer@fisherfaucets.com - www.fisherfaucets.com

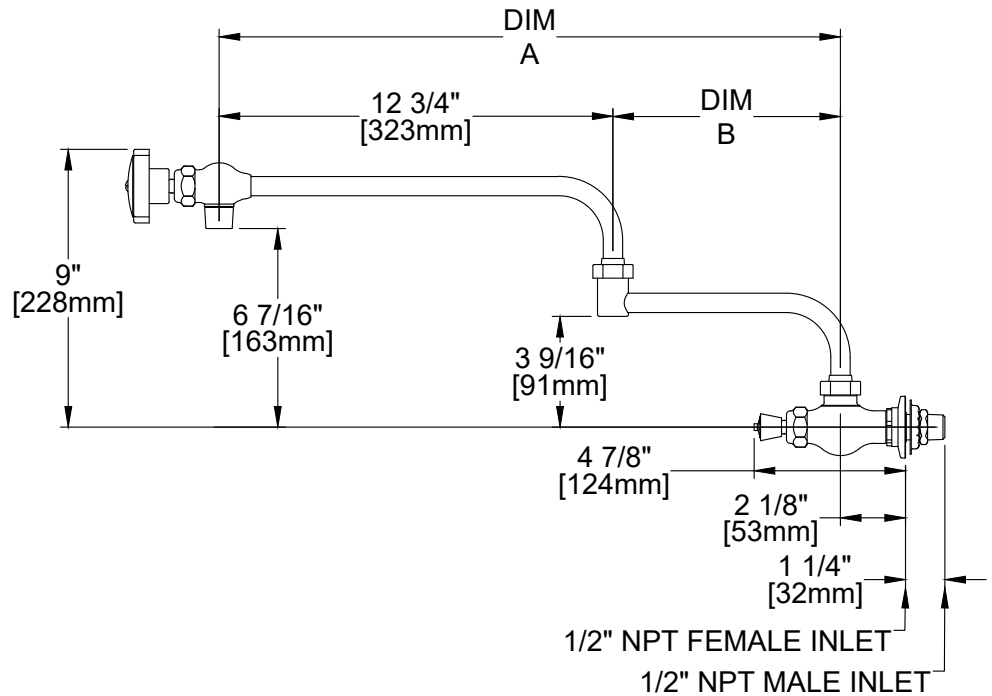
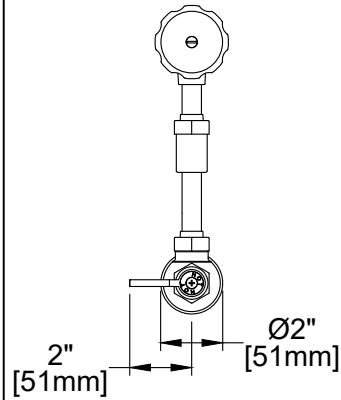
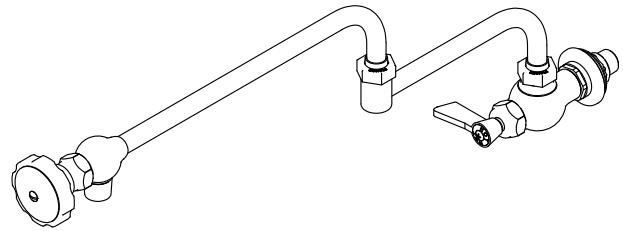
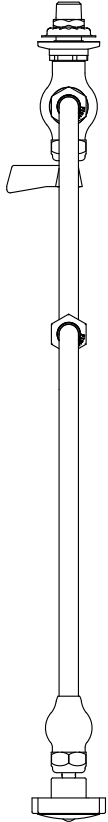
PRODUCT NAME:

SS FAUCET SWLH 12CS DJ

SPEC. FAHS-PFDJ-SWL

Customer/Wholesaler:	Date:	Job Name:	Model Specified:	Quantity:
Contractor:		Architect/Engineer:		

MODEL	DESCRIPTION	DIM A	DIM B
<input type="checkbox"/> 69175	FAUCET SWCDLH 12CS07DJ	20 1/16" [510mm]	7 3/8" [187mm]
<input type="checkbox"/> 69183	FAUCET SWCDLH 12CS12DJ	24 3/4" [629mm]	12 1/16" [306mm]

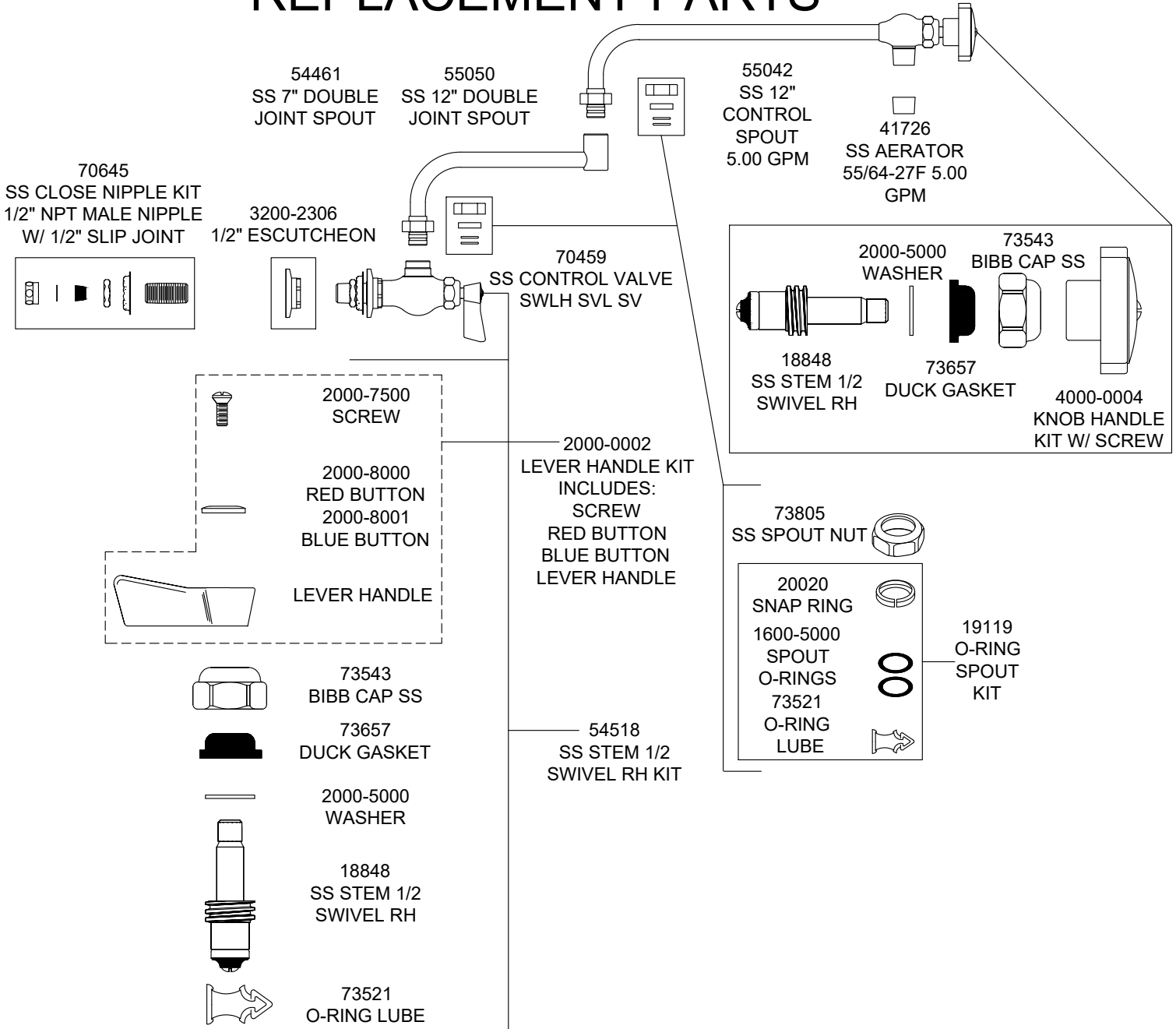


PRODUCT SPECIFICATIONS:
SINGLE WALL / BACKSPLASH CONTROL MOUNT FAUCET, QUARTER TURN SWIVEL STEM, LEVER HANDLE, 12" CONTROL SPOUT W/ 5.00 GPM AERATOR, 7" OR 12" DOUBLE JOINT SPOUT, 1/2" NPT FEMALE INLET, 1/2" NPT MALE NIPPLE INCLUDED

PRODUCT COMPLIANCE:
ASME A112.18.1 / CSA B125.1
NSF 61 - Section 9
NSF 372 (Low Lead Content)

Customer/Wholesaler:	Date:	Job Name:	Model Specified:	Quantity:
Contractor:		Architect/Engineer:		

REPLACEMENT PARTS



<p>PRODUCT SPECIFICATIONS: SINGLE WALL / BACKSPLASH CONTROL MOUNT FAUCET, QUARTER TURN SWIVEL STEM, LEVER HANDLE, 12" CONTROL SPOUT W/ 5.00 GPM AERATOR, 7" OR 12" DOUBLE JOINT SPOUT, 1/2" NPT FEMALE INLET, 1/2" NPT MALE NIPPLE INCLUDED</p>	<p>PRODUCT COMPLIANCE: ASME A112.18.1 / CSA B125.1 NSF 61 - Section 9 NSF 372 (Low Lead Content)</p>
--	---