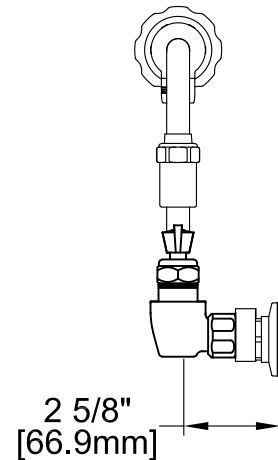
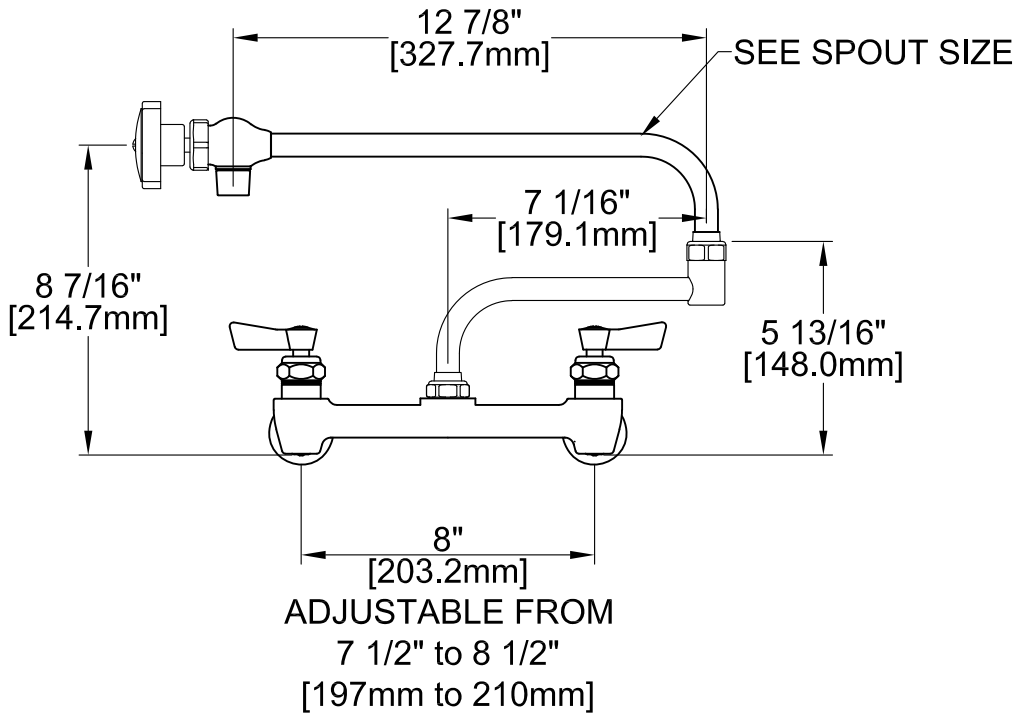
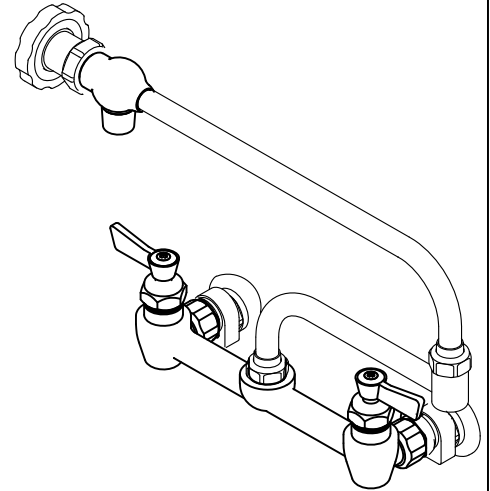
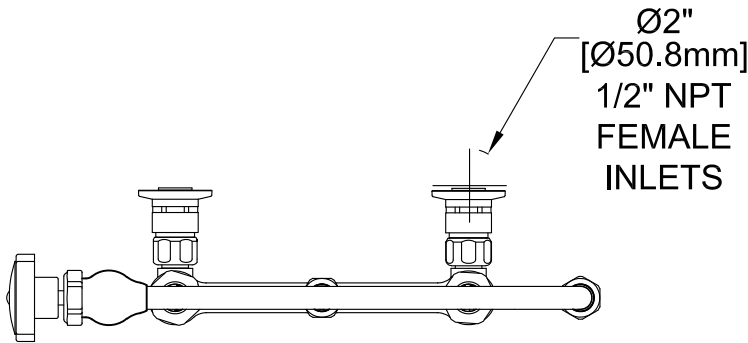


Customer/Wholesaler:	Date:	Job Name:	Model Specified:	Quantity:
Contractor:		Architect/Engineer:		

MODEL	DESCRIPTION	SPOUT SIZE
<input type="checkbox"/> 54100	SS FAUCET 8AWCDLH	12CS07DJ
<input type="checkbox"/> 54801	SS FAUCET 8AWCDLH	12CS12DJ



PRODUCT SPECIFICATIONS:

8" ADJUSTABLE WALL MOUNT MIXING FAUCET, LEVER HANDLES, 7" OR 12" DJ SPOUT, 12" CONTROL SPOUT WITH KNOB HANDLE, WITH 5.0GPM AERATOR 55/64-27, 1/2" NPT ECCENTRICS INLET

PRODUCT COMPLIANCE:

ASME A112.18.1 / CSA B125.1
NSF 61 - Section 9
NSF 372 (Low Lead Content)

FISHER[®]

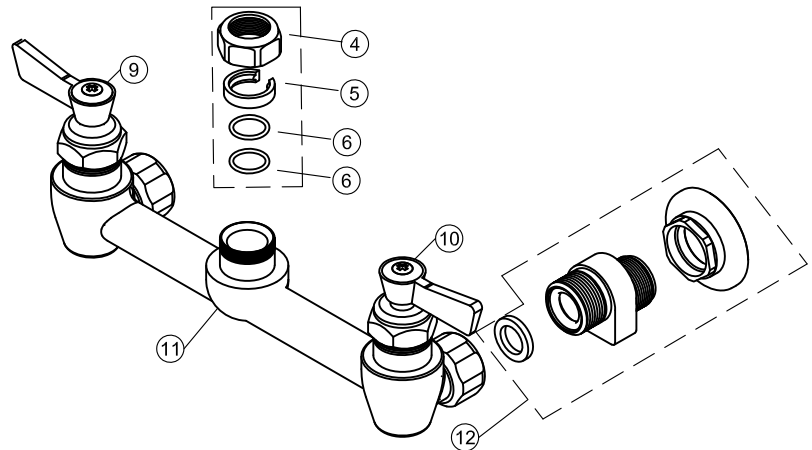
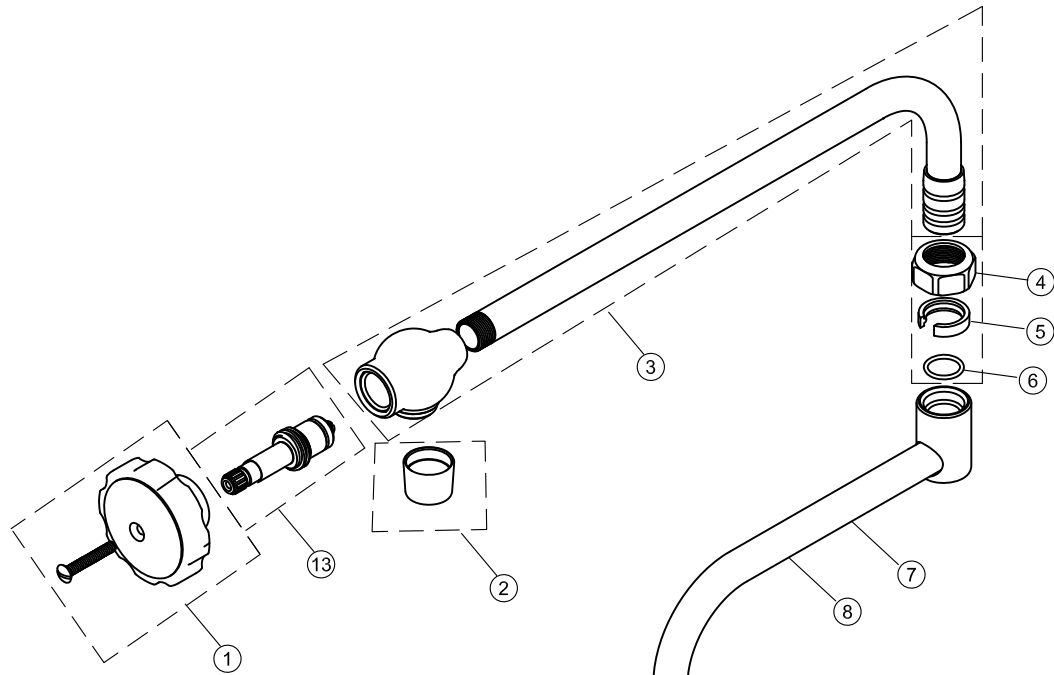
FISHER MANUFACTURING COMPANY TOLL FREE: 800-421-6162 - FAX: 800-832-8238
customer@fisherfaucets.com - www.fisherfaucets.com

PRODUCT NAME:

SS FAUCET 8AWLH 12CS 07DJ OR 12DJ

SPEC. FAHS-PFDJ-8AWLL

Customer/Wholesaler:	Date:	Job Name:	Model Specified:	Quantity:
Contractor:		Architect/Engineer:		



NO.	QTY.	ITEM	NAME
1	1	4000-0004	HANDLE KIT KNOB
2	1	41726	SS AERATOR 55/64-27F 5.00 GPM
3	1	55042	12" CONTROL SWING SPOUT
4	1	73805	NUT SPOUT 1/2 303 POL PAS
5	1	20020	SNAP RING FERRULE 1/2
6	4	1600-5000	O-RING SPOUT 1/2
7	1	54461	07" DOUBLE JOINTED SPOUT
8	1	55050	12" DOUBLE JOINTED SPOUT
9	1	54502	STEM 1/2" CHECK RH STEM STAINLESS STEEL
10	1	54510	STEM 1/2" CHECK LH STEM STAINLESS STEEL
11	1	23698	8" ADJUSTABLE WALL MOUNT CONTROL VALVE
12	1	3200-2307	ECCENTRIC KIT 1/2F
13	1	18848	SS STEM 1/2 SWIVEL RH STD ASSY

PRODUCT SPECIFICATIONS:

8" ADJUSTABLE WALL MOUNT MIXING FAUCET, LEVER HANDLES, 7" OR 12" DJ SPOUT, 12" CONTROL SPOUT WITH KNOB HANDLE, WITH 5.0GPM AERATOR 55/64-27, 1/2" NPT ECCENTRICS INLET

PRODUCT COMPLIANCE:

ASME A112.18.1 / CSA B125.1
NSF 61 - Section 9
NSF 372 (Low Lead Content)