

APPLICATION:

PRODUCT NAME:  
**SS FAUCET SDDLH**

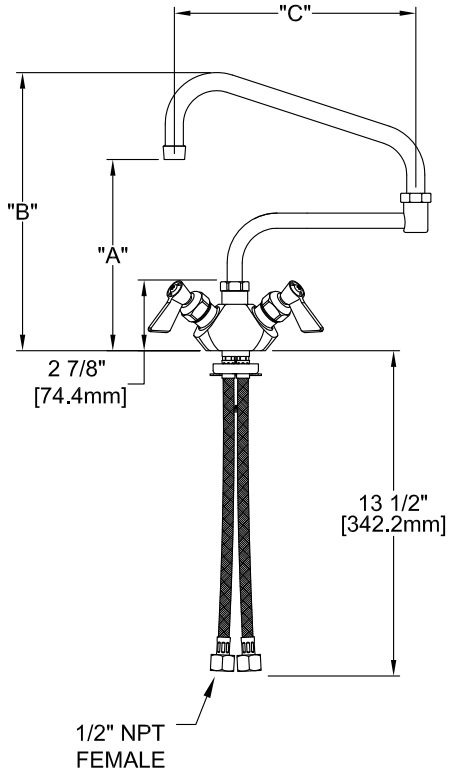
JOB NAME:

MODEL:

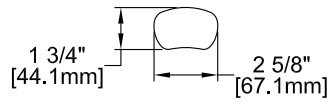
QUANTITY:

ITEM NO.:

- 52825 SS FAUCET SDDLH 06SS07DJ
- 52833 SS FAUCET SDDLH 08SS07DJ
- 52841 SS FAUCET SDDLH 10SS07DJ
- 52868 SS FAUCET SDDLH 12SS07DJ
- 52876 SS FAUCET SDDLH 14SS07DJ
- 52884 SS FAUCET SDDLH 16SS07DJ

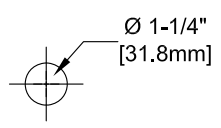


FOOTPRINT:



MODEL	DEM "A"	DEM "B"	DEM "C"
52825	7" [176.7mm]	10 1/2" [268.3mm]	6" [152.4mm]
52833	7 7/8" [200.2mm]	11 1/2" [291.7mm]	8" [203.2mm]
52841	7 7/8" [201.1mm]	11 1/2" [292.6mm]	10" [254.0mm]
52868	8 5/8" [217.7mm]	12 1/8" [309.2mm]	12" [304.8mm]
52876	9 1/4" [234.2mm]	12 7/8" [325.7mm]	14" [355.6mm]
52884	9 7/8" [251.1mm]	13 1/2" [342.2mm]	16" [406.4mm]

ROUGH-IN:



OPTIONS OR MODIFICATIONS:  
 OTHER \_\_\_\_\_

**FEATURES**

- CONTROL VALVE**
- \* SINGLE DECK DUAL CONTROL
  - \* STAINLESS STEEL CONSTRUCTION
  - \* SWIVELLING SEAT DISKS
  - \* HOT SIDE STEM - RIGHT HAND
  - \* COLD SIDE STEM - LEFT HAND
  - \* LEVER HANDLES OR WRIST HANDLES
  - \* STAINLESS STEEL BRAIDED HOSE

- SYSTEM LIMITS**
- \* TEMP: 40°F MIN. TO 160°F MAX. STATIC
  - \* PRESSURE 200 PSI MAX.
  - \* 2.20 GPM AT 80 PSI

- SHIPPING WEIGHT**
- \* 4.75 LBS

- PRODUCT COMPLIANCE:**
- \* ASME A112.18.1 / CSA B125.1
  - \* NSF 61 - Section 9
  - \* NSF 372 (Low Lead Content)



FISHER MANUFACTURING COMPANY  
TOLL FREE: 800-421-6162 - FAX: 800-832-8238  
information@fisher-mfg.com - www.fisher-mfg.com