

APPLICATION:

PRODUCT NAME:

## SS FAUCET SDLH

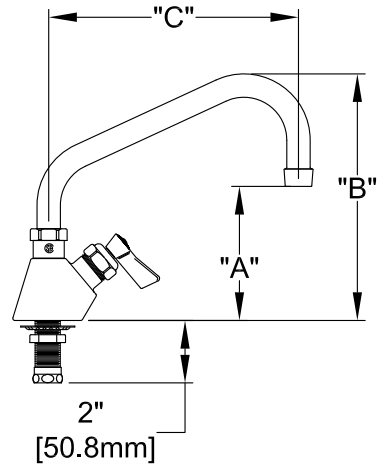
JOB NAME:

MODEL:

QUANTITY:

ITEM NO.:

- 58009 SS FAUCET SDLH 06SS
- 58017 SS FAUCET SDLH 08SS
- 58025 SS FAUCET SDLH 10SS
- 58033 SS FAUCET SDLH 12SS
- 58041 SS FAUCET SDLH 14SS
- 58068 SS FAUCET SDLH 16SS



OPTIONS OR MODIFICATIONS:

OTHER \_\_\_\_\_

FEATURES

- CONTROL VALVE**
- \* SINGLE DECK MOUNT
  - \* SWIVELLING SEAT DISKS
  - \* STEM - LEFT HAND
  - \* STAINLESS STEEL SEATS
  - \* STAINLESS STEEL SEAT SCREWS
  - \* STAINLESS STEEL HANDLE SCREWS
  - \* HOT AND COLD INDEX BUTTONS

SYSTEM LIMITS

- \* TEMP: 40°F MIN. TO 160°F MAX.
- \* PRESSURE 200 PSI MAX. STATIC
- \* 2.20 GPM AT 80 PSI

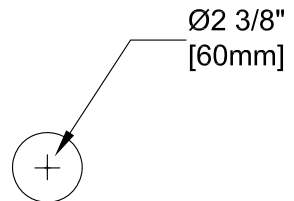
SHIPPING WEIGHT

- \* 3.0 LBS

PRODUCT COMPLIANCE:

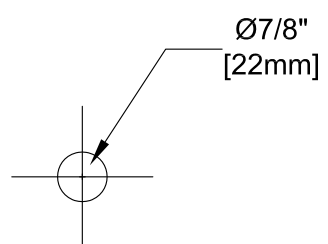
- \* ASME A112.18.1 / CSA B125.1
- \* NSF 61 - Section 9
- \* NSF 372 (Low Lead Content)

FOOTPRINT:



MODEL	DIM "A"	DIM "B"	DIM "C"
58009	3-3/8" [85.6mm]	7" [177.1mm]	6" [150mm]
58017	4-1/4" [109.1mm]	7-7/8" [200.6mm]	8" [200mm]
58025	4-3/8" [110.3mm]	7 7/8" [201.5mm]	10" [250mm]
58033	5" [126.5mm]	8 5/8" [218.0mm]	12" [300mm]
58041	5 5/8" [143.0mm]	9-1/4" [234.6mm]	14" [350mm]
58068	6-1/4" [159.6mm]	9 7/8" [251.1mm]	16" [400mm]

ROUGH-IN:



FISHER MANUFACTURING COMPANY  
 TOLL FREE: 800-421-6162 - FAX: 800-832-8238  
 information@fisher-mfg.com - www.fisher-mfg.com