

APPLICATION:

PRODUCT NAME:  
**SS FAUCET SDDLH**

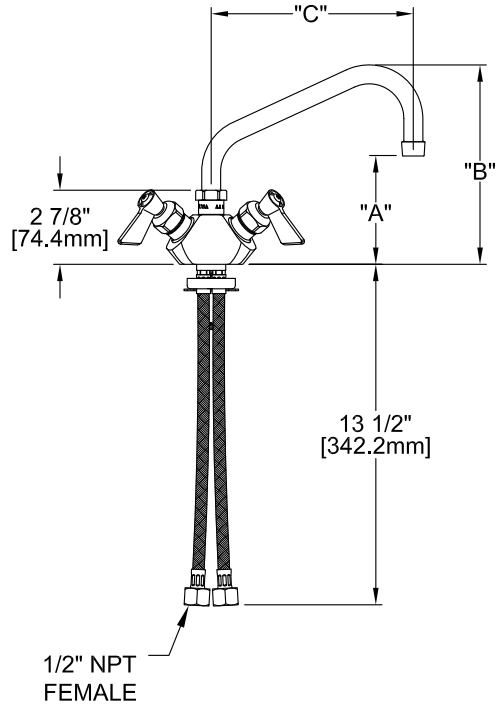
JOB NAME:

MODEL:

QUANTITY:

ITEM NO.:

- 52760 SS FAUCET SDDLH 06SS
- 52779 SS FAUCET SDDLH 08SS
- 52787 SS FAUCET SDDLH 10SS
- 52795 SS FAUCET SDDLH 12SS
- 52809 SS FAUCET SDDLH 14SS
- 52817 SS FAUCET SDDLH 16SS



OPTIONS OR MODIFICATIONS:  
 OTHER \_\_\_\_\_

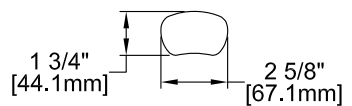
- FEATURES:
- \* SINGLE DECK, DUAL CONTROL
  - \* SWIVELING SEAT DISKS
  - \* HOT SIDE STEM - RIGHT HAND
  - \* COLD SIDE STEM - LEFT HAND
  - \* STAINLESS STEEL SEATS
  - \* STAINLESS STEEL SEAT SCREWS
  - \* STAINLESS STEEL HANDLE SCREWS
  - \* FLEXIBLE INLET HOSES

- SYSTEM LIMITS
- \* TEMP: 40°F MIN. TO 160°F MAX.
  - \* PRESSURE 200 PSI MAX. STATIC
  - \* 2.20 GPM AT 80 PSI

SHIPPING WEIGHT  
\* 4.75 LBS

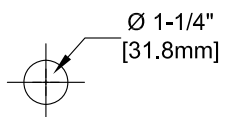
- PRODUCT COMPLIANCE:
- \* ASME A112.18.1 / CSA B125.1
  - \* NSF 61 - Section 9
  - \* NSF 372 (Low Lead Content)

FOOTPRINT:



MODEL	DEM "A"	DEM "B"	DEM "C"
52760	3 3/8" [85.5mm]	7" [177.1mm]	6" [152.4mm]
52779	4 1/4" [109.4mm]	7 7/8" [200.5mm]	8" [203.2mm]
52787	4 3/8" [109.9mm]	7 7/8" [201.4mm]	10" [254.0mm]
52795	5" [126.5mm]	8 5/8" [218.0mm]	12" [304.8mm]
52809	5 5/8" [143.0mm]	9 1/4" [234.5mm]	14" [355.6mm]
52817	6 1/4" [159.5mm]	9 7/8" [251.0mm]	16" [406.4mm]

ROUGH-IN:



FISHER MANUFACTURING COMPANY  
TOLL FREE: 800-421-6162 - FAX: 800-832-8238  
information@fisher-mfg.com - www.fisher-mfg.com