

APPLICATION:

PRODUCT NAME:

SS FAUCET 8BSLH

JOB NAME:

MODEL:

QUANTITY:

ITEM NO.:

- 61220 SS FAUCET 8BSLH 06SS
- 61093 SS FAUCET 8BSLH 08SS
- 60968 SS FAUCET 8BSLH 10SS
- 60836 SS FAUCET 8BSLH 12SS
- 60690 SS FAUCET 8BSLH 14SS
- 60569 SS FAUCET 8BSLH 16SS

OPTIONS OR MODIFICATIONS:

- OTHER _____

FEATURES

CONTROL VALVE

- * 8" C/C BACKSPLASH MOUNT
- * SWIVELLING SEAT DISKS
- * HOT SIDE STEM - RIGHT HAND
- * COLD SIDE STEM - LEFT HAND
- * STAINLESS STEEL SEATS
- * STAINLESS STEEL SEAT SCREWS
- * STAINLESS STEEL HANDLE SCREWS
- * 1/2" SLIP JOINT

SYSTEM LIMITS

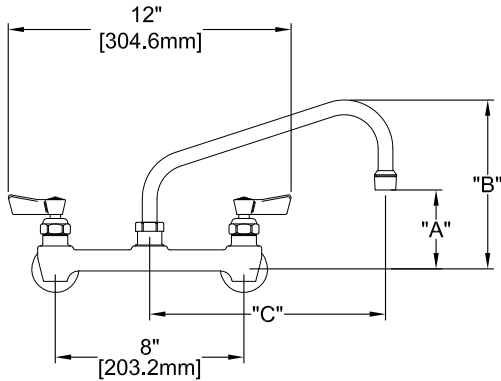
- * TEMP: 40°F MIN. TO 160°F MAX.
- * PRESSURE: 200 PSI MAX. STATIC
- * 2.20 GPM AT 80 PSI

SHIPPING WEIGHT

- * 5.0 LBS

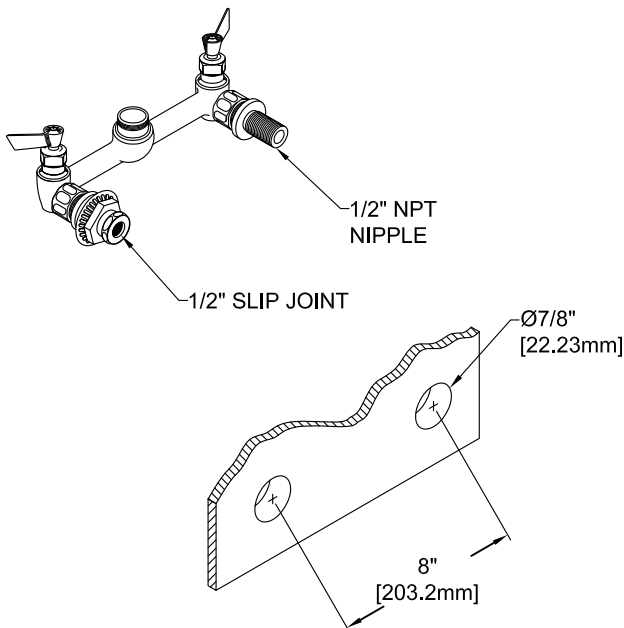
PRODUCT COMPLIANCE:

- * ASME A112.18.1 / CSA B125.1
- * NSF 61 - Section 9
- * NSF 372 (Low Lead Content)



MODEL	DIM "A"	DIM "B"	DIM "C"
61220	2-1/4" [57mm]	5-7/8" [149mm]	6" [152mm]
91093	2-1/2" [64mm]	6-3/8" [162mm]	8" [204mm]
60968	3-1/8" [79mm]	6-7/8" [175mm]	10" [254mm]
60836	3-3/4" [95mm]	7-3/8" [187mm]	12" [305mm]
60690	4-3/8" [111mm]	8-1/4" [210mm]	14" [356mm]
60569	5" [127mm]	8-7/8" [225mm]	16" [406mm]

ROUGH-IN:



FISHER MANUFACTURING COMPANY
 TOLL FREE: 800-421-6162 - FAX: 800-832-8238
 information@fisher-mfg.com - www.fisher-mfg.com