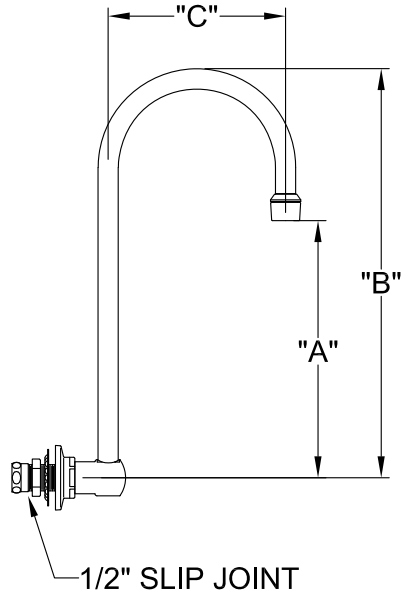


Customer/Wholesaler:	Date:	Job Name:	Model Specified:	Quantity:
Contractor:		Architect/Engineer:		



MODEL:

- 3916 FAUCET BBS 12RGN PER 2.20 GPM
- 73404 FAUCET BBS 12RGN PCA SPRAY 0.35 GPM
- 9131 FAUCET BBS 06RGN PER 2.20 GPM
- 73405 FAUCET BBS 06RGN PCA SPRAY 0.35 GPM

OPTIONS OR MODIFICATIONS:

- OTHER _____

FEATURES:

- * SINGLE BACKSPLASH BASE
- * RIGID GOOSENECK SPOUT
- * 1/2" SLIP JOINT

SYSTEM LIMITS

- * TEMP: 40°F MIN. TO 160°F MAX.
- * PRESSURE 200 PSI MAX. STATIC
- * 2.20 GPM AT 60 PSI (8.3L/min @ 410 kPa)
- * 0.35 GPM AT 60 PSI (1.3 L/min @410 KPa)

SHIPPING WEIGHT

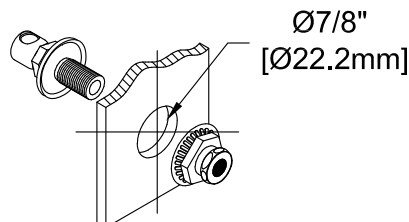
- * 3.0 LBS

PRODUCT COMPLIANCE:

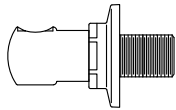
- * ASME A112.18.1 / CSA B125.1
- * NSF 61 - Section 9
- * NSF 372 (Low Lead Content)

MODEL	DIM "A"	DIM "B"	DIM "C"
3916	6-5/16" [154.0mm]	10-1/8" [257.2mm]	5-1/2" [139.7mm]
73404	6-5/16" [154.0mm]	10-1/8" [257.2mm]	5-1/2" [139.7mm]
9131	4-11/16" [119.1mm]	7-1/8" [181.0mm]	3-1/2" [88.90mm]
73405	4-11/16" [119.1mm]	7-1/8" [181.0mm]	3-1/2" [88.90mm]

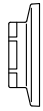
ROUGH-IN:



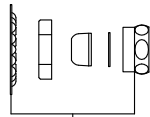
Replacement Parts for Backsplash Base Mount Faucets



3900-0002
BACKSPLASH BASE

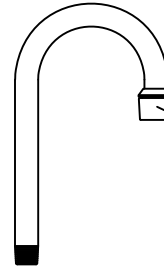


3200-2306
FLANGE



73794
1/2" SLIP JOINT
KIT

3966
6" RIGID
GOOSENECK SPOUT



12564
2.20 GPM
AERATOR
OR
74223
0.35 GPM
AERATOR

3969
12" RIGID
GOOSENECK SPOUT

