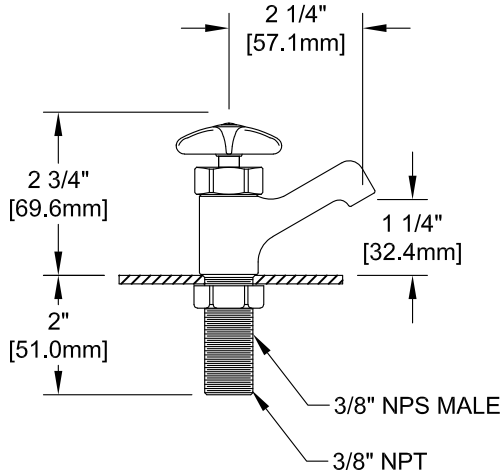


Customer/Wholesaler:	Date:	Job Name:	Model Specified:	Quantity:
Contractor:		Architect/Engineer:		



MODEL:

3042 FAUCET DIPPERWELL

OPTIONS OR MODIFICATIONS:

OTHER \_\_\_\_\_

FEATURES

\* STAINLESS STEEL SEAT

SYSTEM LIMITS

- \* TEMP: 40°F MIN. TO 160°F MAX.
- \* PRESSURE: 100 PSI MAX. STATIC
- \* 2.1 GPM AT 60 PSI (7.9 L/min @410 KPa)

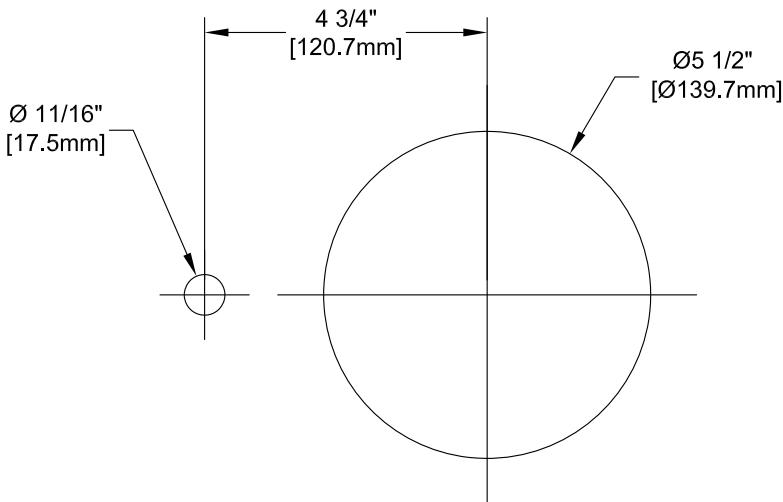
SHIPPING WEIGHT

\* 1.0 LBS

PRODUCT COMPLIANCE:

- \* ASME A112.18.1 / CSA B125.1
- \* NSF 61 - Section 9
- \* NSF 372 (Low Lead Content)

ROUGH-IN:



NOTE: THIS ONLY APPLIES TO FISHER 'S DIPPERWELL. IF FAUCET IS INSTALLED TO CLOSE WILL NOT BE ABLE TO REMOVE PAN OR IF FAUCET INSTALLED TOO FAR WATER WILL SPILL ON COUNTER.

## REPLACEMENT PARTS

