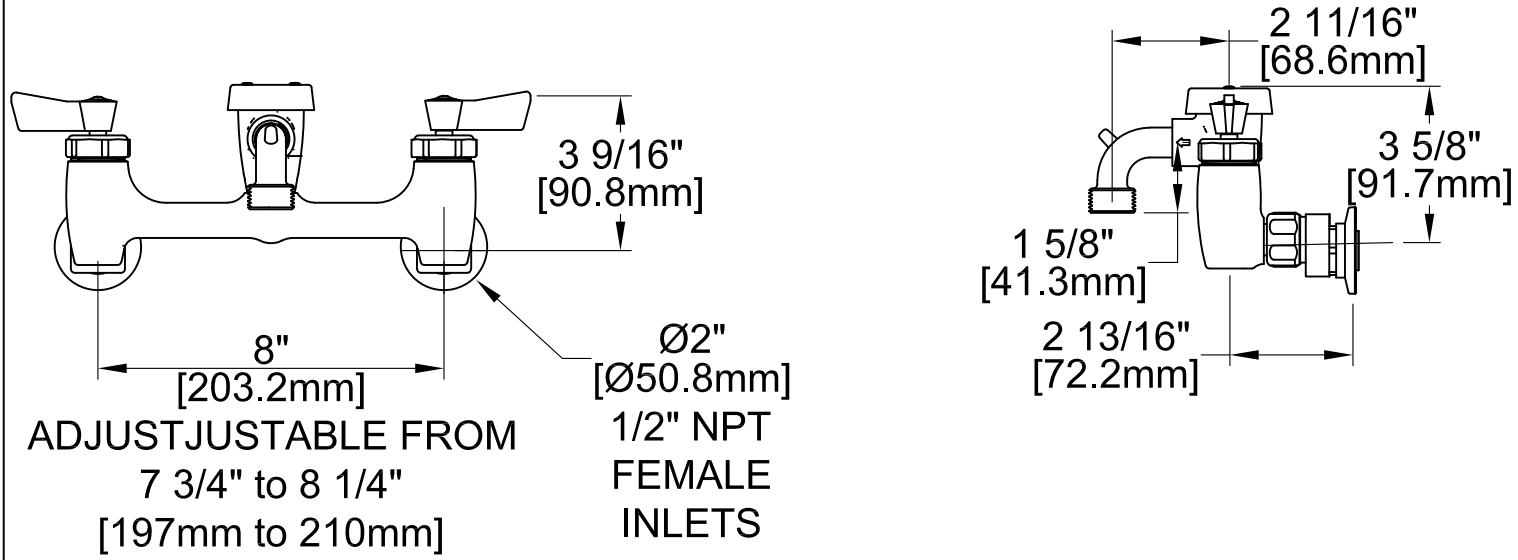
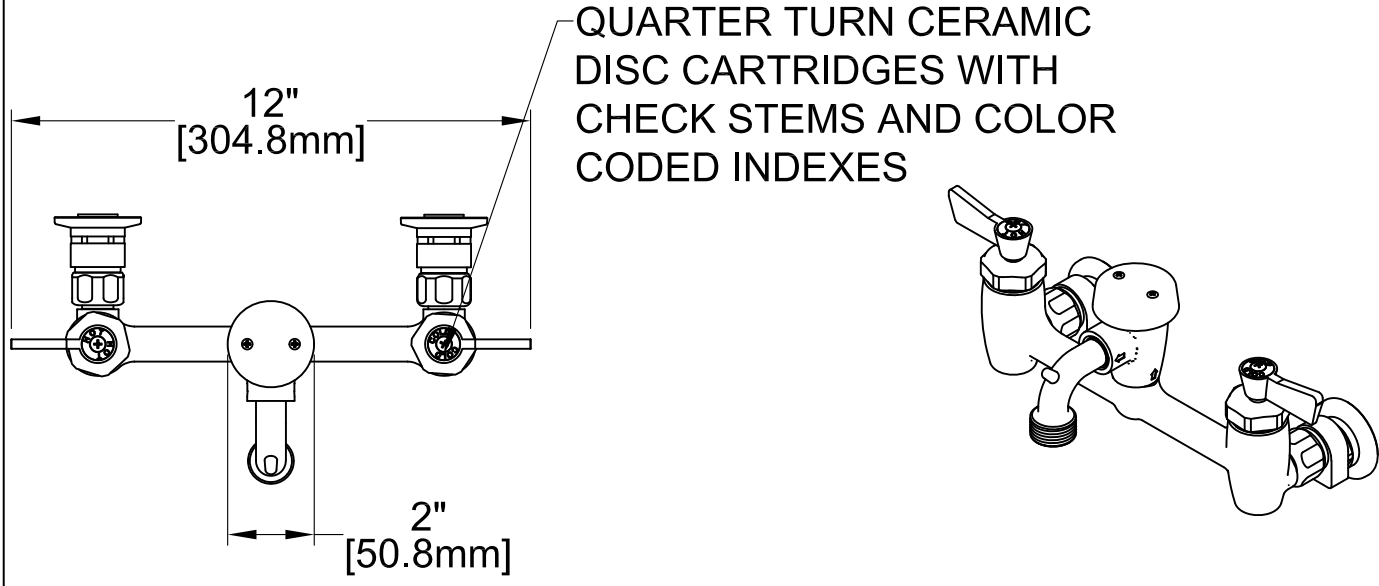


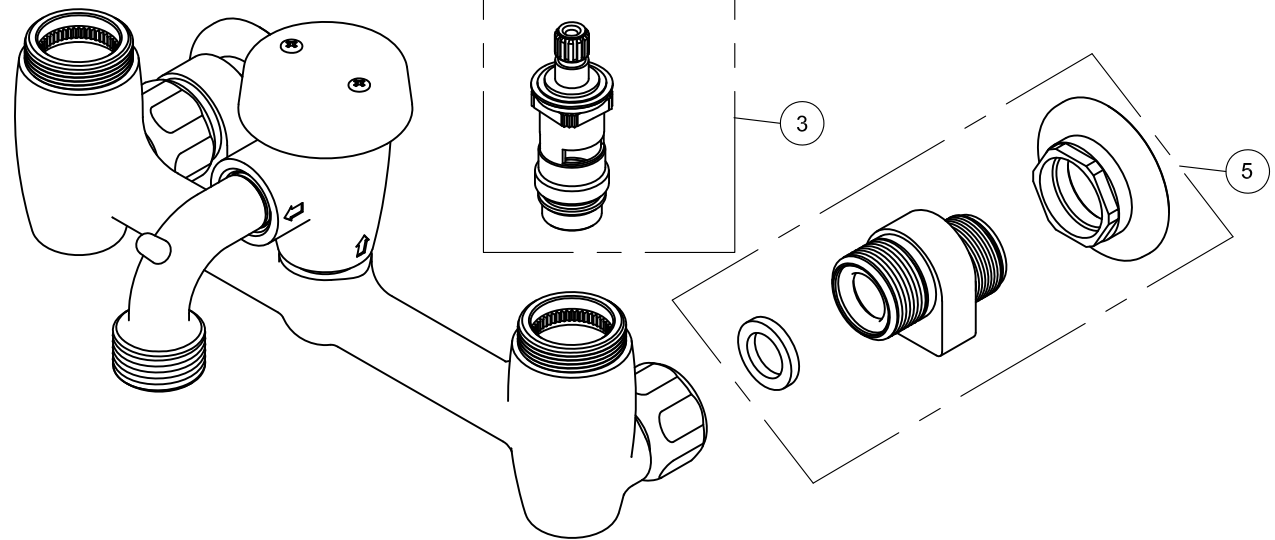
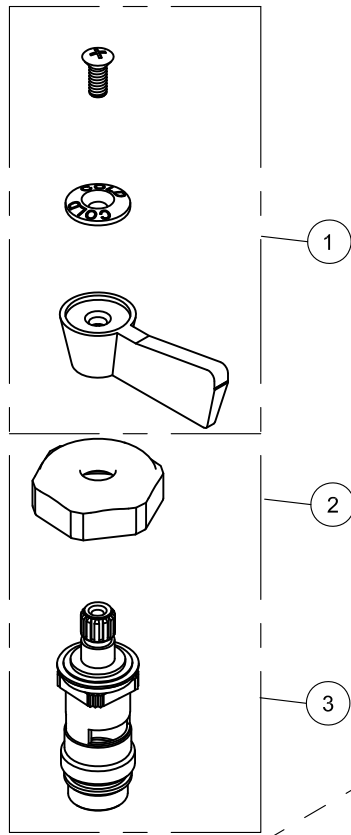
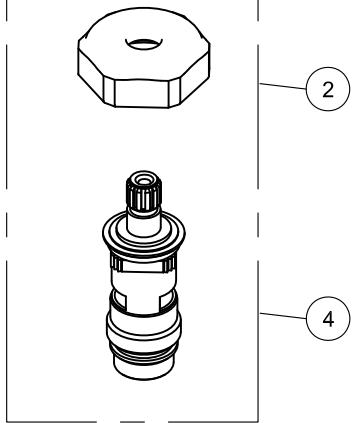
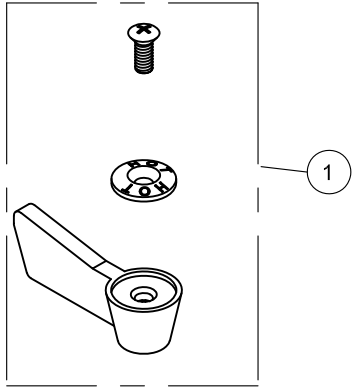
Customer/Wholesaler:	Date:	Job Name:	Model Specified: 24450	Quantity:
Contractor:		Architect/Engineer:		



PRODUCT SPECIFICATIONS: 8" ADJUSTABLE WALL MIXING FAUCET, QUARTER TURN CERAMIC DISC CARTRIDGES WITH LEVER HANDLES, 3" SERVICE SPOUT AND VACUUM BREAKER, 1/2" NPT INLETS	PRODUCT COMPLIANCE: ASME A112.18.1 / CSA B125.1 NSF 61 - Section 9 NSF 372 (Low Lead Content)
--	--

Customer/Wholesaler:	Date:	Job Name:	Model Specified: 24450	Quantity:
Contractor:		Architect/Engineer:		

NO.	QTY.	ITEM	NAME
1	2	2000-0002	HANDLE KIT LEVER
2	2	75957	BIBB CAP FAUCET CD NL BRS CR
3	1	75958	STEM 1/2 CERAMIC DISK LH
4	1	75959	STEM 1/2 CERAMIC DISK RH
5	2	3200-2307	ECCENTRIC KIT 1/2F



PRODUCT SPECIFICATIONS:
 8" ADJUSTABLE WALL MIXING FAUCET, QUARTER TURN CERAMIC DISC CARTRIDGES WITH LEVER HANDLES, 3" SERVICE SPOUT AND VACUUM BREAKER, 1/2" NPT INLETS

PRODUCT COMPLIANCE:
 ASME A112.18.1 / CSA B125.1
 NSF 61 - Section 9
 NSF 372 (Low Lead Content)