

FISHER[®]

FISHER MANUFACTURING COMPANY TOLL FREE: 800-421-6162 - FAX: 800-832-8238
customer@fisherfaucets.com - www.fisherfaucets.com

PRODUCT NAME:

FAUCET 8AWCDLH 06SRV

Customer/Wholesaler:

Date:

Job Name:

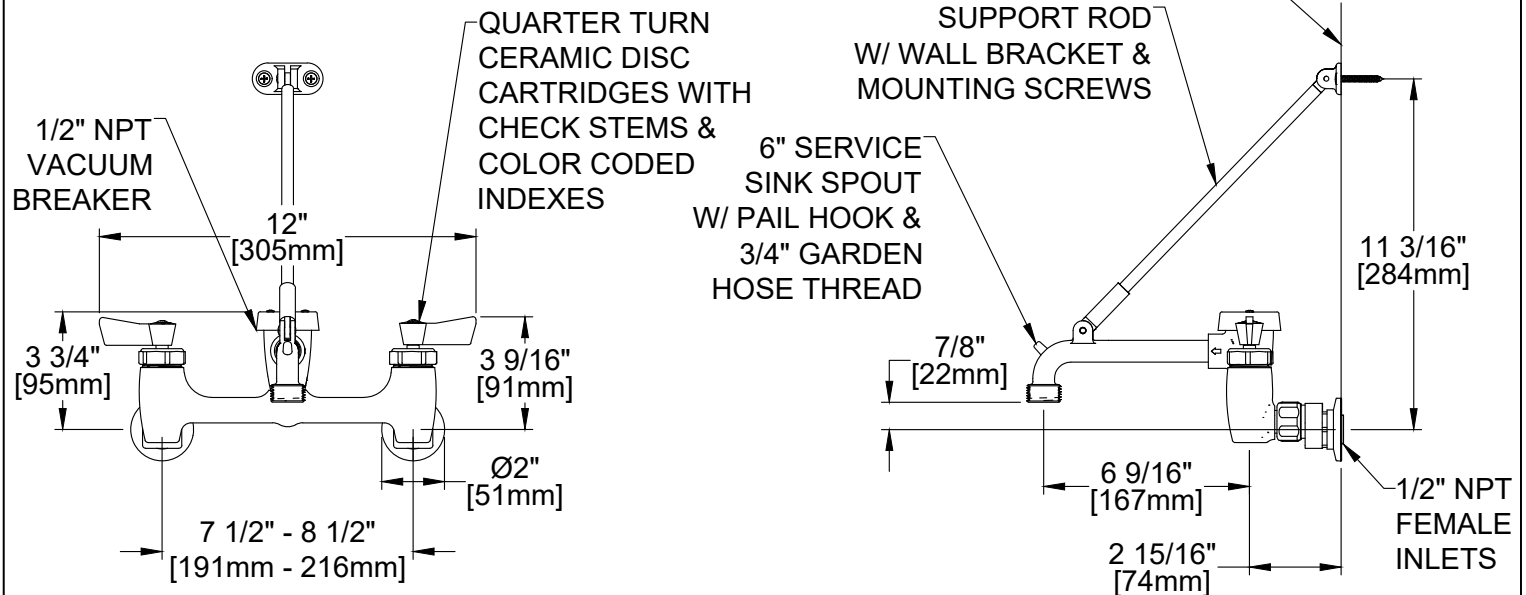
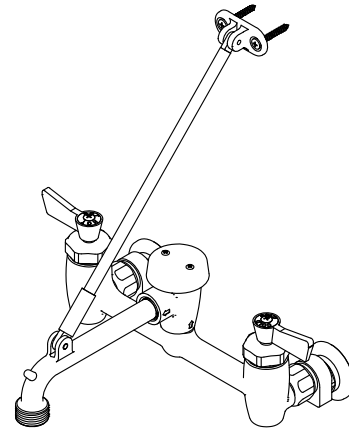
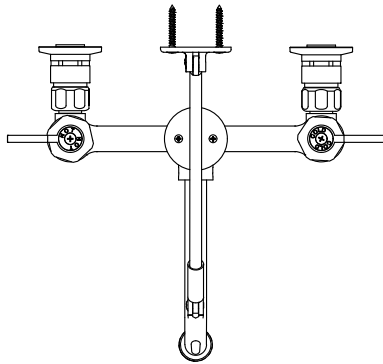
Model Specified: 19790

Quantity:

Contractor:

Architect/Engineer:

SPEC. FACB-SSL-8AWLL



PRODUCT SPECIFICATIONS:

8" ADJUSTABLE WALL CONTROL MOUNT FAUCET, QUARTER TURN CERAMIC DISC CARTRIDGES W/ CHECK STEMS, LEVER HANDLES, 6" SERVICE SINK SPOUT W/ VACUUM BREAKER, 1/2" NPT FEMALE INLETS

PRODUCT COMPLIANCE:

ASME A112.18.1 / CSA B125.1
NSF 61 - Section 9
NSF 372 (Low Lead Content)

Drawn: LC

Checked: EM

Approved: LC

Date: 03/27/24

Sheet: 1 of 2

Customer/Wholesaler:	Date:	Job Name:	Model Specified: 19790	Quantity:
Contractor:		Architect/Engineer:		

REPLACEMENT PARTS

8254-7000
SCREW
10-32 X 1/2

8254-7000
SCREW
10-32 X 1/2

8250-2300
WALL BRACE
FLANGE

8250-3300
ADJUSTER ROD
2 1/2

8250-3302
BRACKET ROD
10 3/4

13811
SCREW
10 X 1 1/2

22004
1/2" VACUUM
BREAKER
REPAIR KIT

2200-5000
1/2" ECCENTRIC
GASKET

3200-2306
1/2" ESCUTCHEON

2000-7500
SCREW
2000-8000
RED BUTTON
2000-8001
BLUE BUTTON

2000-0002
LEVER HANDLE
KIT
INCLUDES:
SCREW
RED BUTTON
BLUE BUTTON
LEVER HANDLE

75957
BIBB CAP CD

75958
STEM 1/2 CERAMIC
DISC LH

75959
STEM 1/2 CERAMIC
DISC RH

73521
O-RING LUBE

PRODUCT SPECIFICATIONS:

8" ADJUSTABLE WALL CONTROL MOUNT FAUCET, QUARTER TURN CERAMIC DISC CARTRIDGES W/ CHECK STEMS, LEVER HANDLES, 6" SERVICE SINK SPOUT W/ VACUUM BREAKER, 1/2" NPT FEMALE INLETS

PRODUCT COMPLIANCE:

ASME A112.18.1 / CSA B125.1
NSF 61 - Section 9
NSF 372 (Low Lead Content)