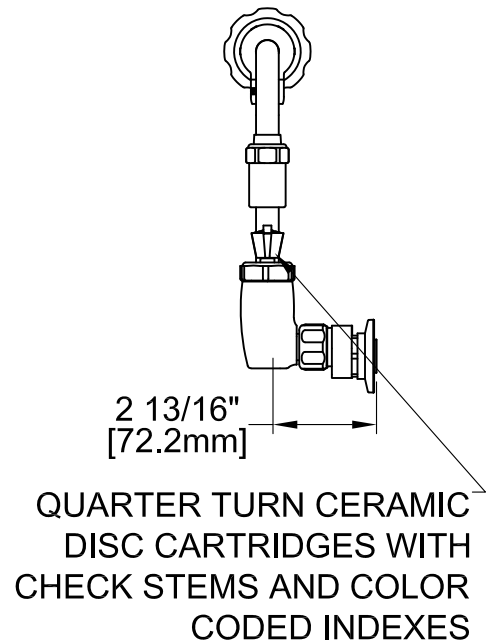
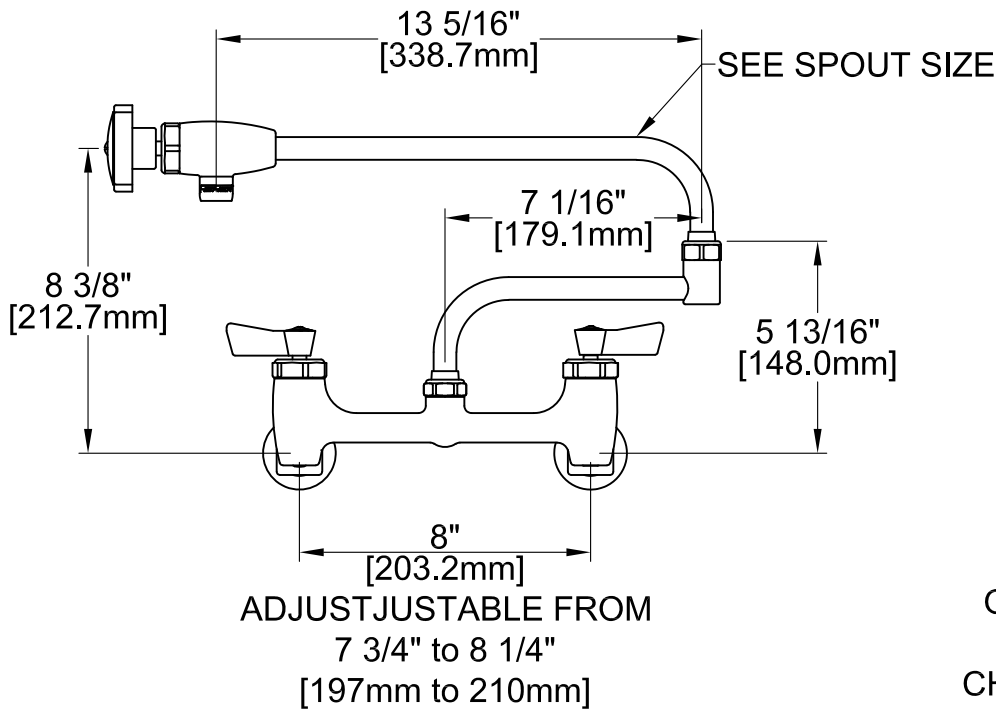
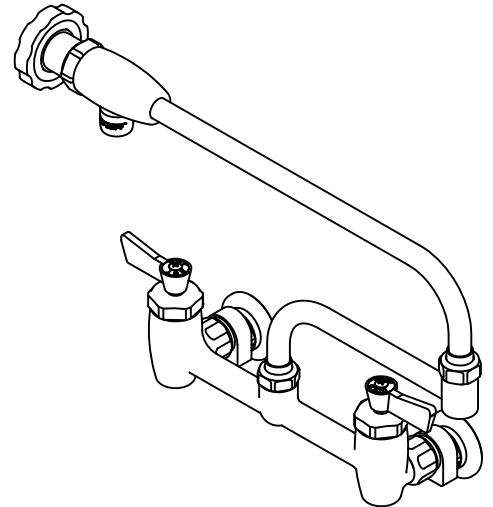
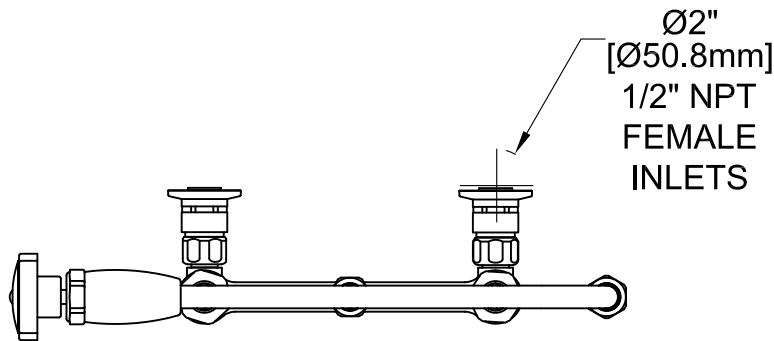


Customer/Wholesaler:	Date:	Job Name:	Model Specified:	Quantity:
Contractor:		Architect/Engineer:		

MODEL	DESCRIPTION	SPOUT SIZE
<input type="checkbox"/> 42300	FAUCET 8AWCDLH	12CS07DJ
<input type="checkbox"/> 42310	FAUCET 8AWCDLH	12CS13DJ



PRODUCT SPECIFICATIONS:

8" ADJUSTABLE WALL MOUNT MIXING FAUCET, QUARTER TURN CERAMIC DISC CARTRIDGES WITH LEVER HANDLES, 7" OR 13" DJ SPOUT, CONTROL SPOUT WITH KNOB HANDLE, WITH FULL FLOW STREAM AERATOR 55/64-27, 1/2" NPT ECCENTRICS INLET

PRODUCT COMPLIANCE:

ASME A112.18.1 / CSA B125.1
NSF 61 - Section 9
NSF 372 (Low Lead Content)

FISHER

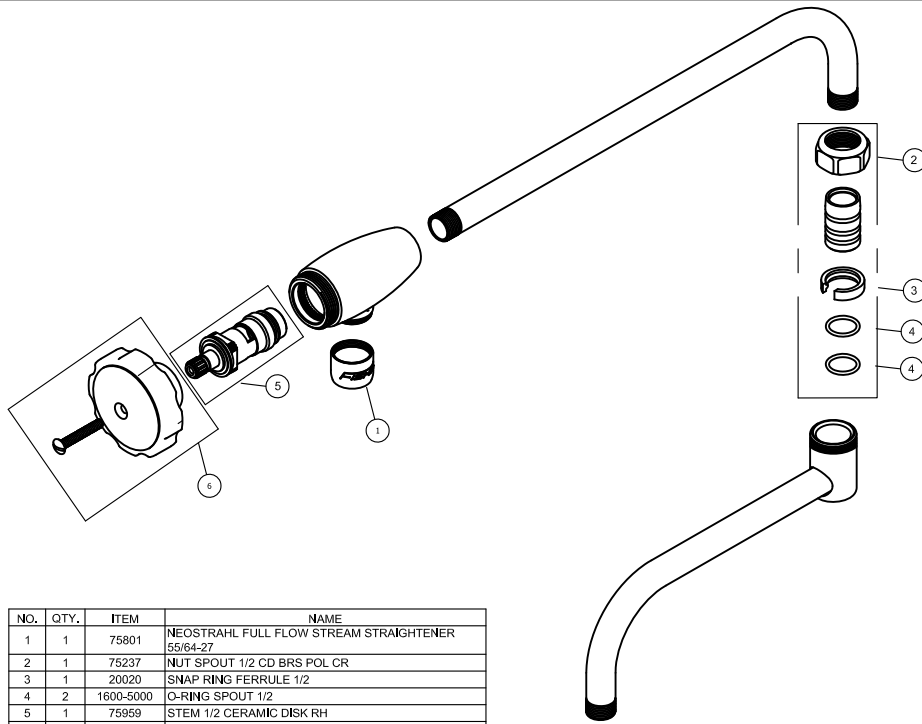
FISHER MANUFACTURING COMPANY TOLL FREE: 800-421-6162 - FAX: 800-832-8238
customer@fisherfaucets.com - www.fisherfaucets.com

PRODUCT NAME:

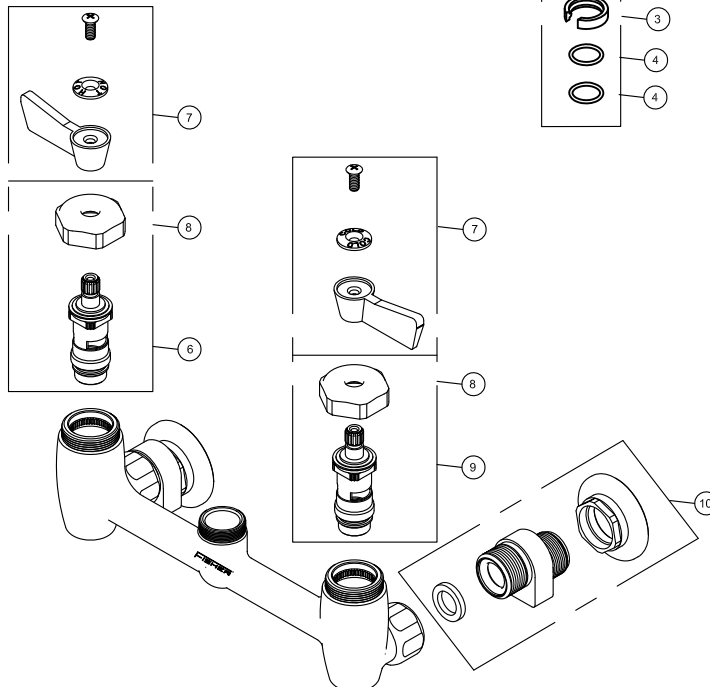
FAUCET 8AWCDLH 12CS 07 OR 13DJ

SPEC. FACB-PFDJ-8AWLL

Customer/Wholesaler:	Date:	Job Name:	Model Specified:	Quantity:
Contractor:	Architect/Engineer:			



NO.	QTY.	ITEM	NAME
1	1	75801	NEOSTRAHL FULL FLOW STREAM STRAIGHTENER 55/64-27
2	1	75237	NUT SPOUT 1/2 CD BRS POL CR
3	1	20020	SNAP RING FERRULE 1/2
4	2	1600-5000	O-RING SPOUT 1/2
5	1	75959	STEM 1/2 CERAMIC DISK RH
6	1	4000-0004	HANDLE KIT KNOB
7	2	2000-0002	HANDLE KIT LEVER
8	2	75957	BIBB CAP FAUCET CD NL BRS CR
9	1	75958	STEM 1/2 CERAMIC DISK LH
10	2	3200-2307	ECCENTRIC KIT 1/2F



PRODUCT SPECIFICATIONS:

8" ADJUSTABLE WALL MOUNT MIXING FAUCET, QUARTER TURN CERAMIC DISK CARTRIDGES WITH LEVER HANDLES, 7" OR 13" DJ SPOUT, CONTROL SPOUT WITH KNOB HANDLE, WITH FULL FLOW STREAM AERATOR 55/64-27, 1/2" NPT ECCENTRICS INLET

PRODUCT COMPLIANCE:

ASME A112.18.1 / CSA B125.1
NSF 61 - Section 9
NSF 372 (Low Lead Content)