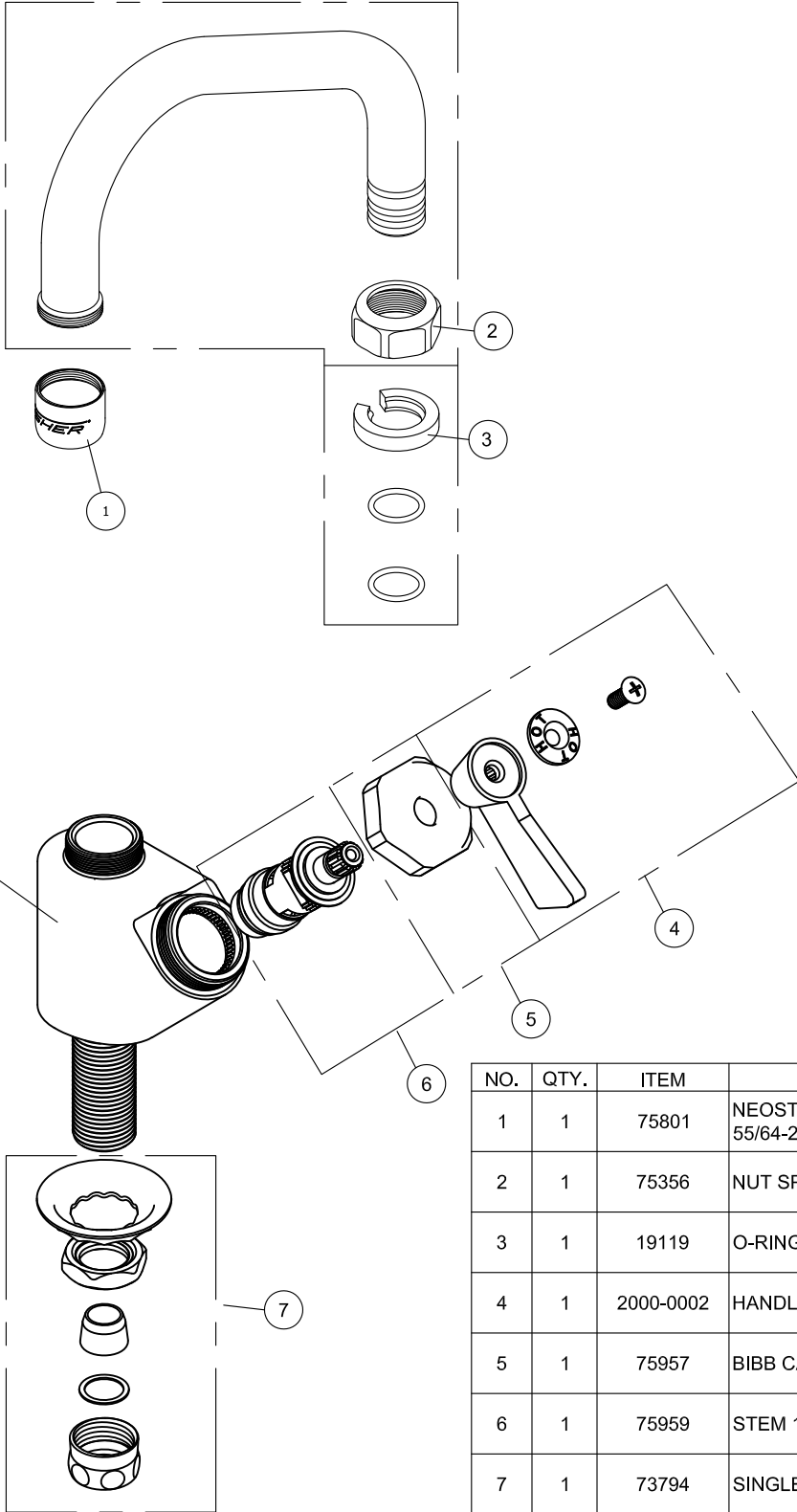


Customer/Wholesaler:	Date:	Job Name:	Model Specified:	Quantity:
Contractor:		Architect/Engineer:		



12810  
CONTROL VALVE  
SDLH R/S CD

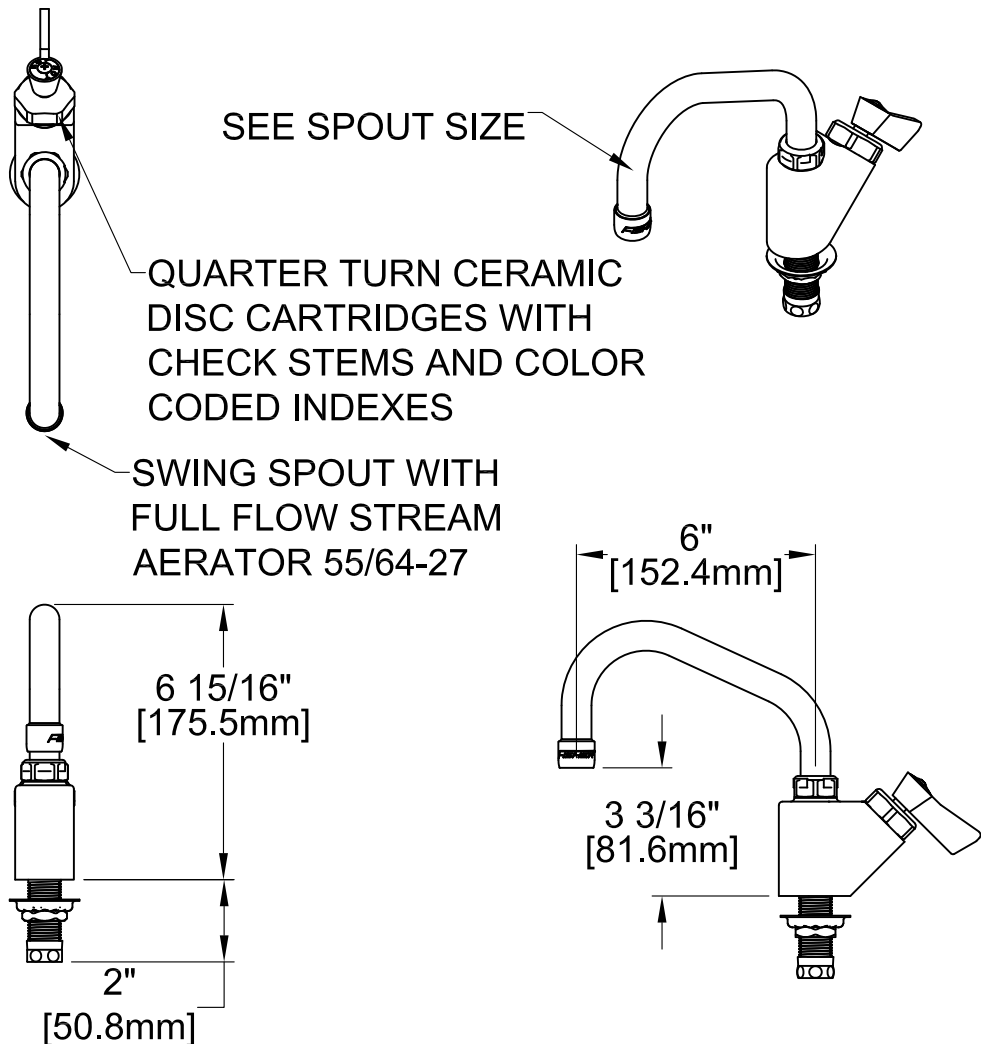
NO.	QTY.	ITEM	NAME
1	1	75801	NEOSTRAHL FULL FLOW STREAM STRAIGHTENER 55/64-27
2	1	75356	NUT SPOUT 1/2 CD BRS POL CR
3	1	19119	O-RING 1/2 SPOUT KIT
4	1	2000-0002	HANDLE KIT LEVER
5	1	75957	BIBB CAP FAUCET CD NL BRS CR
6	1	75959	STEM 1/2 CERAMIC DISK RH
7	1	73794	SINGLE DECK SLIP JOINT KIT

**PRODUCT SPECIFICATIONS:**  
 SINGLE DECK MOUNT MIXING FAUCET, QUARTER TURN CERAMIC DISC CARTRIDGES WITH LEVER HANDLES, SWING SPOUT WITH FULL FLOW STREAM AERATOR 55/64-27, 1/2" NPT INLET

**PRODUCT COMPLIANCE:**  
 ASME A112.18.1 / CSA B125.1  
 NSF 61 - Section 9  
 NSF 372 (Low Lead Content)

Customer/Wholesaler:	Date:	Job Name:	Model Specified:	Quantity:
Contractor:		Architect/Engineer:		

	MODEL	DESCRIPTION	SPOUT SIZE
<input type="checkbox"/>	30100	FAUCET SDCDLH	06SS
<input type="checkbox"/>	30110	FAUCET SDCDLH	08SS
<input type="checkbox"/>	30120	FAUCET SDCDLH	10SS
<input type="checkbox"/>	30130	FAUCET SDCDLH	12SS



<p><b>PRODUCT SPECIFICATIONS:</b>                  SINGLE DECK MOUNT MIXING FAUCET, QUARTER TURN CERAMIC DISC CARTRIDGES WITH LEVER HANDLES, SWING SPOUT WITH FULL FLOW STREAM AERATOR 55/64-27, 1/2" NPT INLET</p>	<p><b>PRODUCT COMPLIANCE:</b>                  ASME A112.18.1 / CSA B125.1                  NSF 61 - Section 9                  NSF 372 (Low Lead Content)</p>
---	--