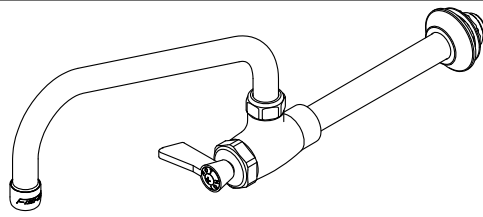
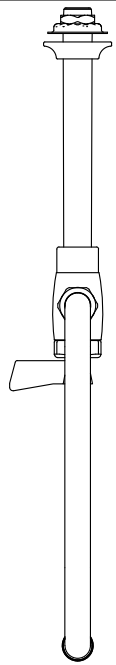
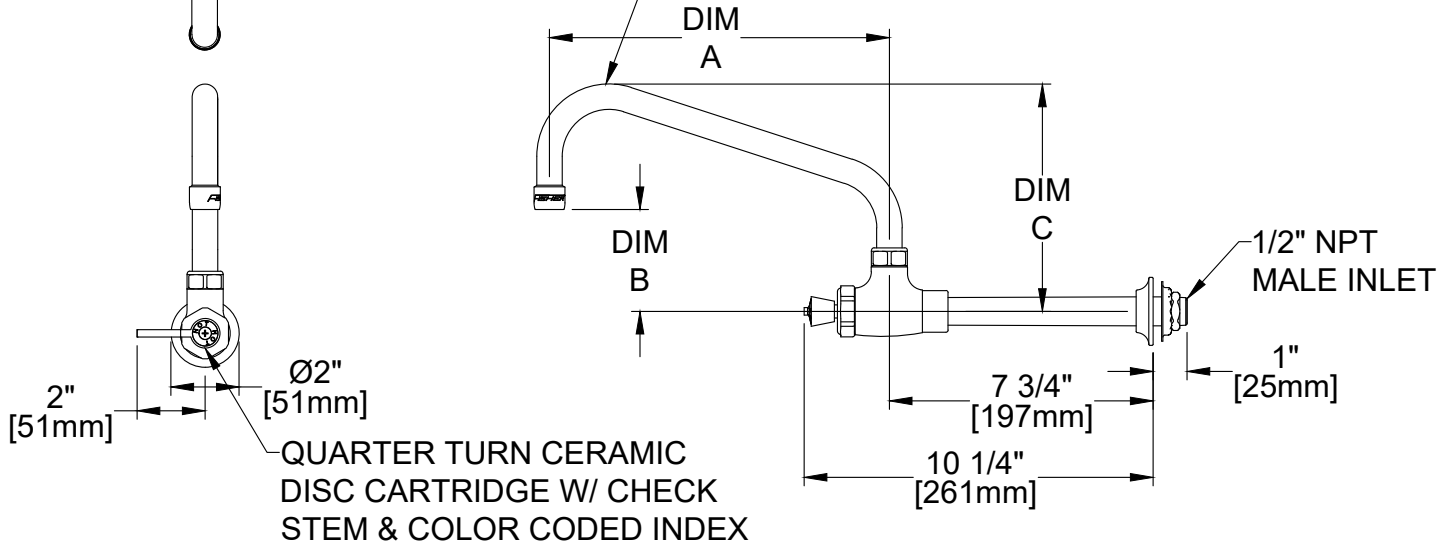


Customer/Wholesaler:	Date:	Job Name:	Model Specified:	Quantity:
Contractor:		Architect/Engineer:		



SWING SPOUT WITH FULL FLOW STREAM AERATOR 55/64-27F



MODEL	DESCRIPTION	DIM A	DIM B	DIM C
<input type="checkbox"/> 47500	FAUCET CRCDLH 10SS	10" [254mm]	3" [76mm]	6 11/16" [170mm]
<input type="checkbox"/> 56000	FAUCET CRCDLH 12SS	12" [305mm]	3 5/8" [93mm]	7 5/16" [186mm]
<input type="checkbox"/> 36160	FAUCET CRCDLH 14SS	14" [356mm]	4 1/4" [108mm]	8" [203mm]

PRODUCT SPECIFICATIONS:

SINGLE BACKSPASH MOUNT CHINESE RANGE FAUCET, QUARTER TURN CERAMIC DISC CARTRIDGE W/ CHECK STEM, LEVER HANDLE, 12" SWING SPOUT, 1/2" NPT MALE INLET

PRODUCT COMPLIANCE:

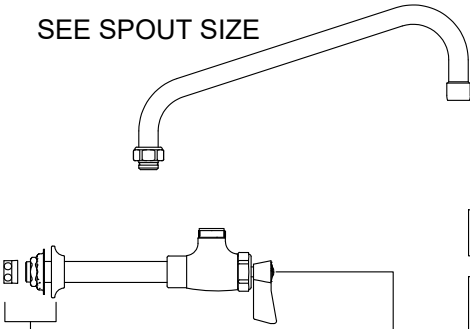
ASME A112.18.1 / CSA B125.1
NSF 61 - Section 9
NSF 372 (Low Lead Content)

Customer/Wholesaler:	Date:	Job Name:	Model Specified:	Quantity:
Contractor:		Architect/Engineer:		

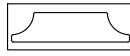
REPLACEMENT PARTS

SEE SPOUT SIZE

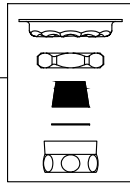
47550
CONTROL
VALVE
CR R/S CD



73604
WOK FLANGE



73794
SLIP JOINT KIT



75964
SPOUT NUT
CD



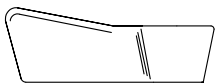
2000-7500
SCREW



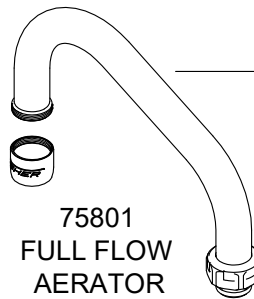
2000-8000
RED BUTTON
2000-8001
BLUE BUTTON



LEVER HANDLE



2000-0002
LEVER HANDLE KIT
INCLUDES:
SCREW
RED BUTTON
BLUE BUTTON
LEVER HANDLE

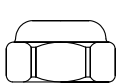


75801
FULL FLOW
AERATOR

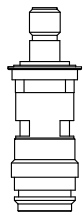
20020
SNAP RING
1600-5000
SPOUT
O-RINGS
73521
O-RING
LUBE



19119
O-RING
SPOUT
KIT



75957
BIBB CAP CD

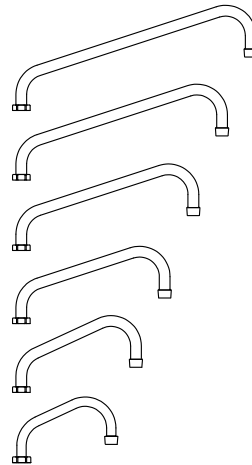


75959
STEM 1/2 CERAMIC
DISK RH



73521
O-RING
LUBE

3967
16" SWING SPOUT
3964
14" SWING SPOUT
3963
12" SWING SPOUT
3962
10" SWING SPOUT
3961
8" SWING SPOUT
3960
6" SWING SPOUT



PRODUCT SPECIFICATIONS:
SINGLE BACKSPASH MOUNT CHINESE RANGE FAUCET, QUARTER TURN CERAMIC DISC
CARTRIDGE W/ CHECK STEM, LEVER HANDLE, 12" SWING SPOUT, 1/2" NPT MALE INLET

PRODUCT COMPLIANCE:
ASME A112.18.1 / CSA B125.1
NSF 61 - Section 9
NSF 372 (Low Lead Content)