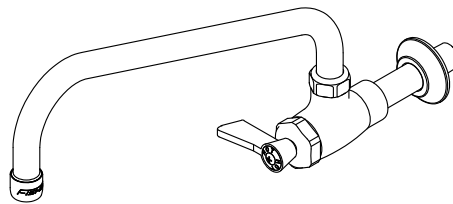
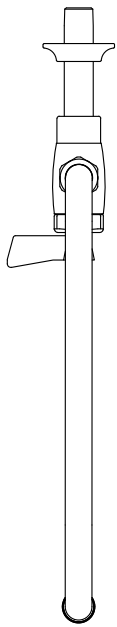
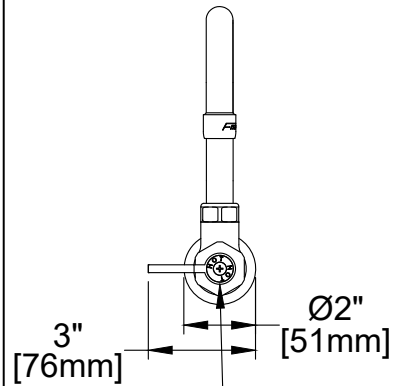
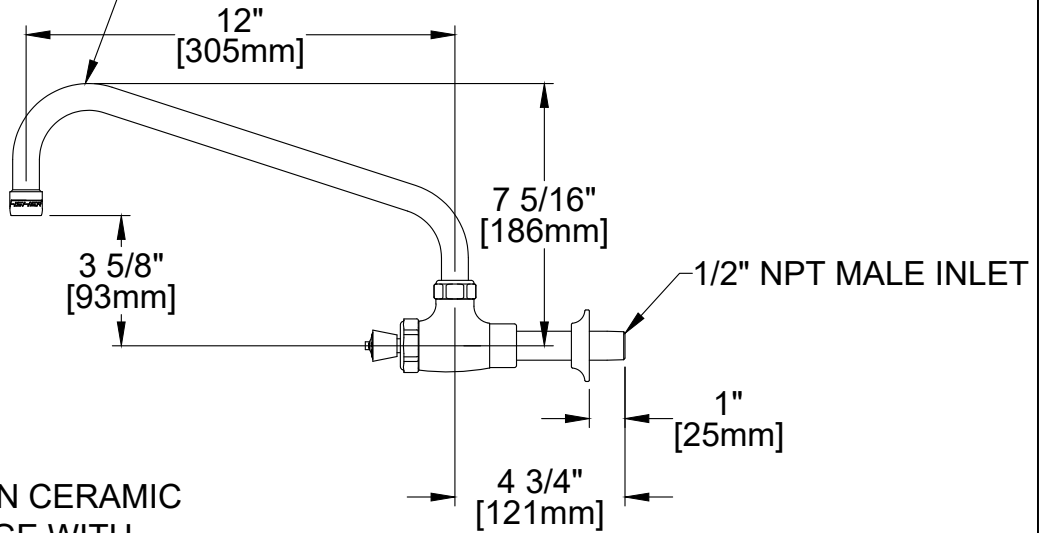


Customer/Wholesaler:	Date:	Job Name:	Model Specified: 91190	Quantity:
Contractor:		Architect/Engineer:		



SWING SPOUT WITH
FULL FLOW STREAM
AERATOR 55/64-27



QUARTER TURN CERAMIC
DISC CARTRIDGE WITH
CHECK STEMS AND COLOR
CODED INDEX

PRODUCT SPECIFICATIONS:

SINGLE BACKSPASH MOUNT CHINESE RANGE FAUCET, QUARTER TURN CERAMIC DISC CARTRIDGES W/ CHECK STEM, LEVER HANDLE, 12" SWING SPOUT, 1/2" NPT MALE INLET

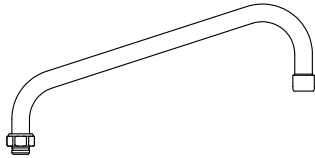
PRODUCT COMPLIANCE:

ASME A112.18.1 / CSA B125.1
NSF 61 - Section 9
NSF 372 (Low Lead Content)

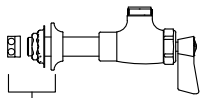
Customer/Wholesaler:	Date:	Job Name:	Model Specified: 91190	Quantity:
Contractor:		Architect/Engineer:		

REPLACEMENT PARTS

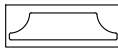
3963
12" SWING SPOUT



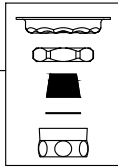
15010
CONTROL
VALVE
CH R/S CD



73604
WOK FLANGE



73794
SLIP JOINT KIT



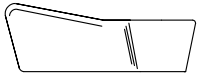
2000-7500
SCREW



2000-8000
RED BUTTON
2000-8001
BLUE BUTTON



LEVER HANDLE



2000-0002
LEVER HANDLE KIT
INCLUDES:
SCREW
RED BUTTON
BLUE BUTTON
LEVER HANDLE

75964
SPOUT NUT
CD



20020
SNAP RING



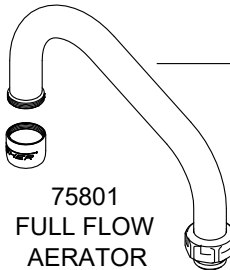
1600-5000
SPOUT
O-RINGS



73521
O-RING
LUBE

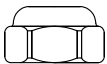


19119
O-RING
SPOUT
KIT

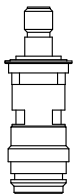


75801
FULL FLOW
AERATOR

75957
BIBB CAP CD



75959
STEM 1/2 CERAMIC
DISK RH



73521
O-RING
LUBE



PRODUCT SPECIFICATIONS:

SINGLE BACKSPASH MOUNT CHINESE RANGE FAUCET, QUARTER TURN CERAMIC DISC CARTRIDGES W/ CHECK STEM, LEVER HANDLE, 12" SWING SPOUT, 1/2" NPT MALE INLET

PRODUCT COMPLIANCE:

ASME A112.18.1 / CSA B125.1
NSF 61 - Section 9
NSF 372 (Low Lead Content)