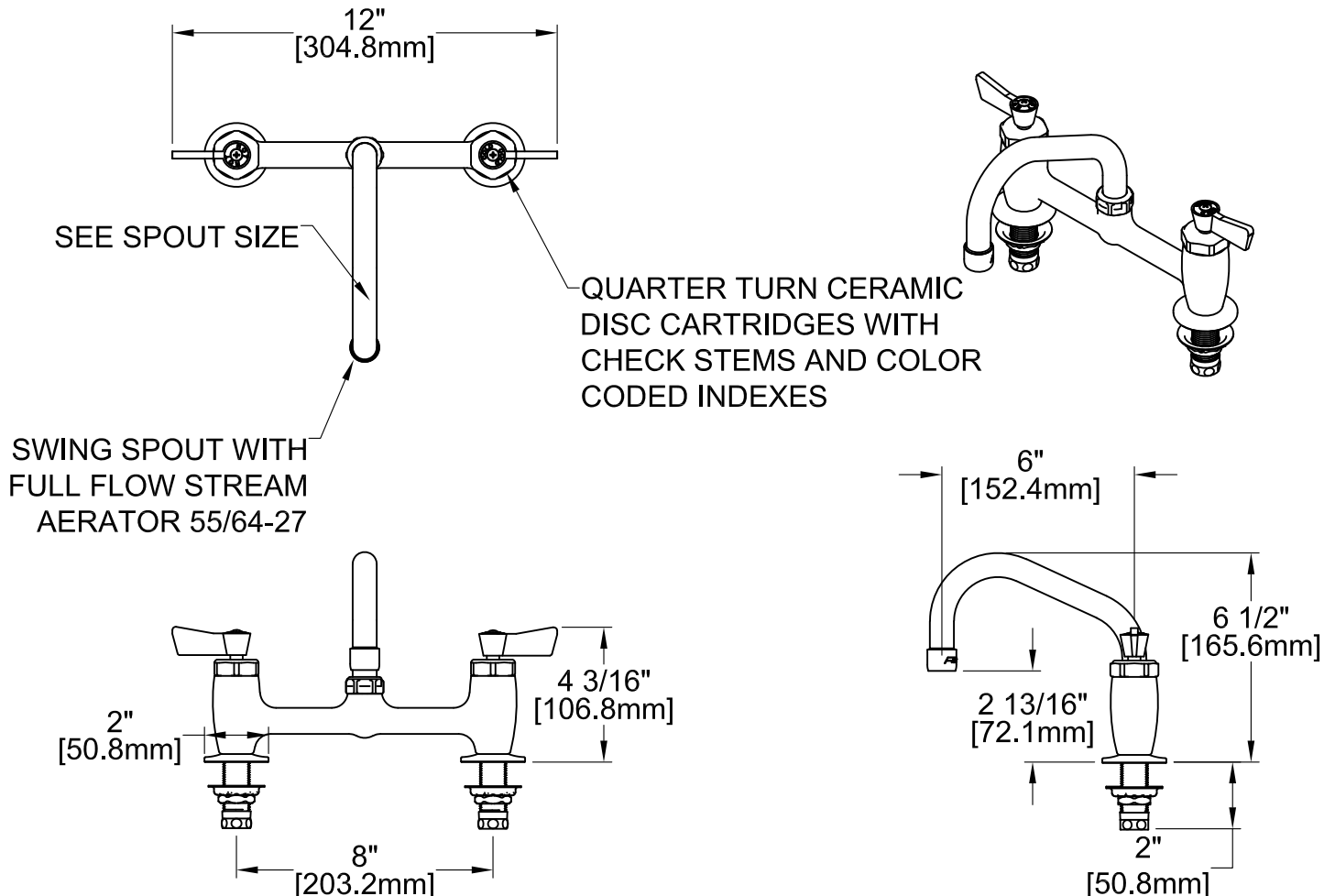


Customer/Wholesaler:	Date:	Job Name:	Model Specified:	Quantity:
Contractor:	Architect/Engineer:			

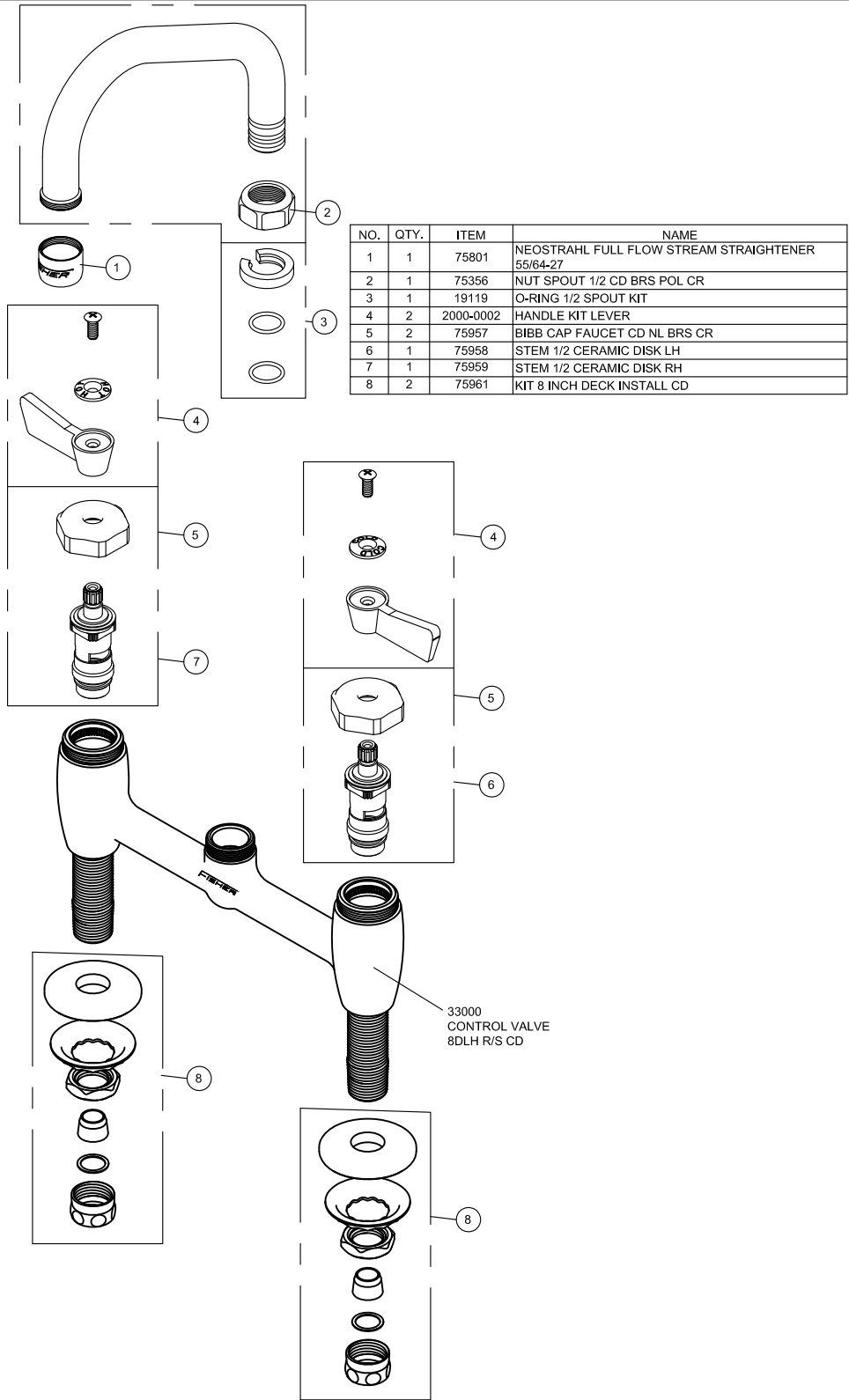
MODEL	DESCRIPTION	SPOUT SIZE
<input type="checkbox"/> 33100	FAUCET 8DCDLH	06SS
<input type="checkbox"/> 33110	FAUCET 8DCDLH	08SS
<input type="checkbox"/> 33120	FAUCET 8DCDLH	10SS
<input type="checkbox"/> 33130	FAUCET 8DCDLH	12SS
<input type="checkbox"/> 33140	FAUCET 8DCDLH	14SS



PRODUCT SPECIFICATIONS:
8" DECK MOUNT MIXING FAUCET, QUARTER TURN CERAMIC DISC CARTRIDGES WITH LEVER HANDLES, SWING SPOUT WITH FULL FLOW STREAM AERATOR 55/64-27, 1/2" NPT NIPPLE INLET, 2" BASE.

PRODUCT COMPLIANCE:
ASME A112.18.1 / CSA B125.1
NSF 61 - Section 9
NSF 372 (Low Lead Content)

Customer/Wholesaler:	Date:	Job Name:	Model Specified:	Quantity:
Contractor:		Architect/Engineer:		



PRODUCT SPECIFICATIONS:
8"DECK MOUNT MIXING FAUCET, QUARTER TURN CERAMIC DISK CARTRIDGES WITH LEVER HANDLES, SWING SPOUT WITH FULL FLOW STREAM AERATOR 55/64-27, 1/2" NPT NIPPLE INLET, 2" BASE.

PRODUCT COMPLIANCE:
ASME A112.18.1 / CSA B125.1
NSF 61 - Section 9
NSF 372 (Low Lead Content)