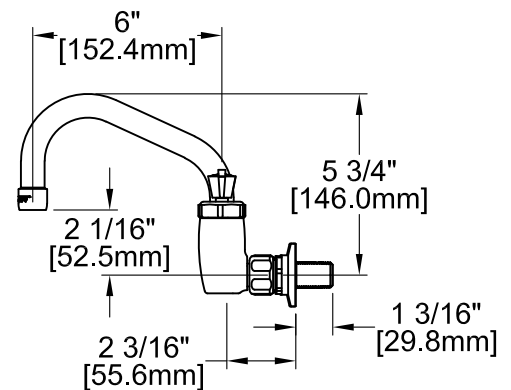
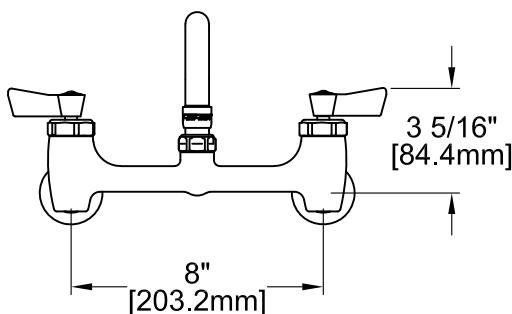
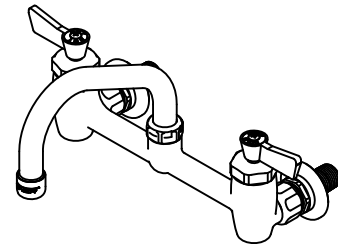
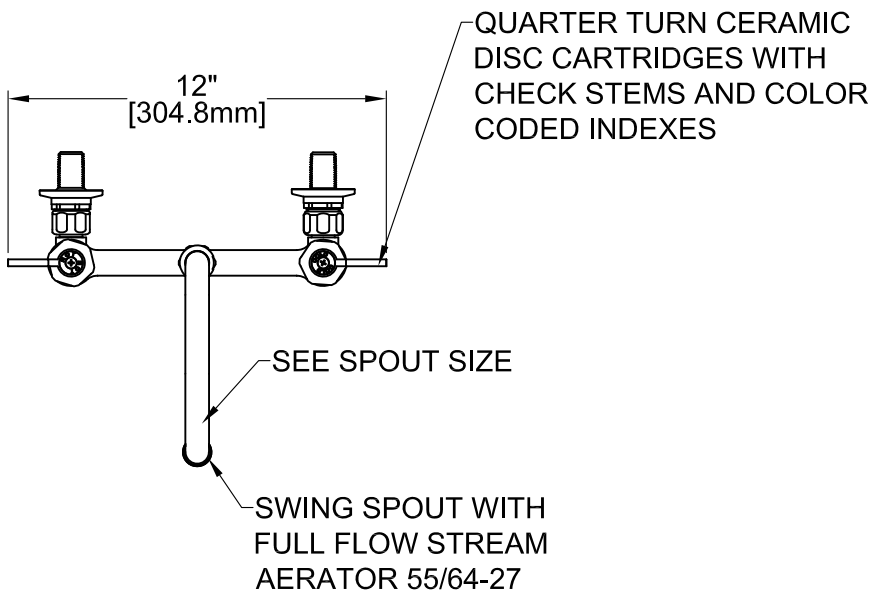


Customer/Wholesaler:	Date:	Job Name:	Model Specified:	Quantity:
Contractor:		Architect/Engineer:		

MODEL	DESCRIPTION	SPOUT SIZE
<input type="checkbox"/> 64730	FAUCET 8BSCDZLH	06SS
<input type="checkbox"/> 64740	FAUCET 8BSCDZLH	08SS
<input type="checkbox"/> 64710	FAUCET 8BSCDZLH	10SS
<input type="checkbox"/> 64760	FAUCET 8BSCDZLH	12SS
<input type="checkbox"/> 64770	FAUCET 8BSCDZLH	14SS

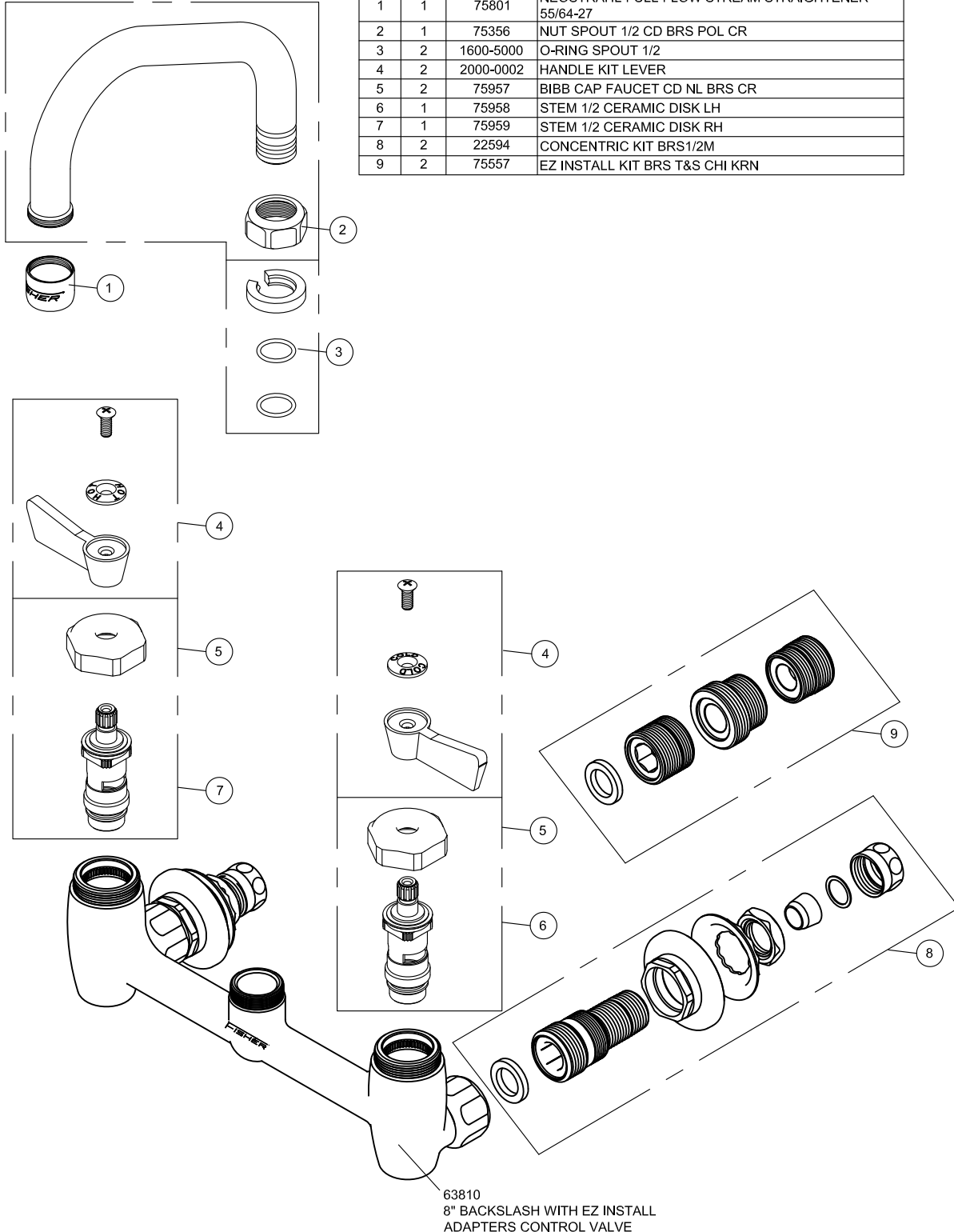


PRODUCT SPECIFICATIONS:
8" BACKSPASH MOUNT MIXING FAUCET, QUARTER TURN CERAMIC DISC CARTRIDGES WITH LEVER HANDLES, SWING SPOUT WITH FULL FLOW STREAM AERATOR 55/64-27 1/2" NPT CONCENTRICS INLET, EZ INSTALL KIT

PRODUCT COMPLIANCE:
ASME A112.18.1 / CSA B125.1
NSF 61 - Section 9
NSF 372 (Low Lead Content)

Customer/Wholesaler:	Date:	Job Name:	Model Specified:	Quantity:
Contractor:		Architect/Engineer:		

NO.	QTY.	ITEM	NAME
1	1	75801	NEOSTRAHL FULL FLOW STREAM STRAIGHTENER 55/64-27
2	1	75356	NUT SPOUT 1/2 CD BRS POL CR
3	2	1600-5000	O-RING SPOUT 1/2
4	2	2000-0002	HANDLE KIT LEVER
5	2	75957	BIBB CAP FAUCET CD NL BRS CR
6	1	75958	STEM 1/2 CERAMIC DISK LH
7	1	75959	STEM 1/2 CERAMIC DISK RH
8	2	22594	CONCENTRIC KIT BRS1/2M
9	2	75557	EZ INSTALL KIT BRS T&S CHI KRN



PRODUCT SPECIFICATIONS:
 8" BACKSPLASH MOUNT MIXING FAUCET, QUARTER TURN CERAMIC DISK CARTRIDGES WITH LEVER HANDLES, SWING SPOUT WITH FULL FLOW STREAM AERATOR 55/64-271/2" NPT CONCENTRICS INLET, EZ INSTALL KIT

PRODUCT COMPLIANCE:
 ASME A112.18.1 / CSA B125.1
 NSF 61 - Section 9
 NSF 372 (Low Lead Content)