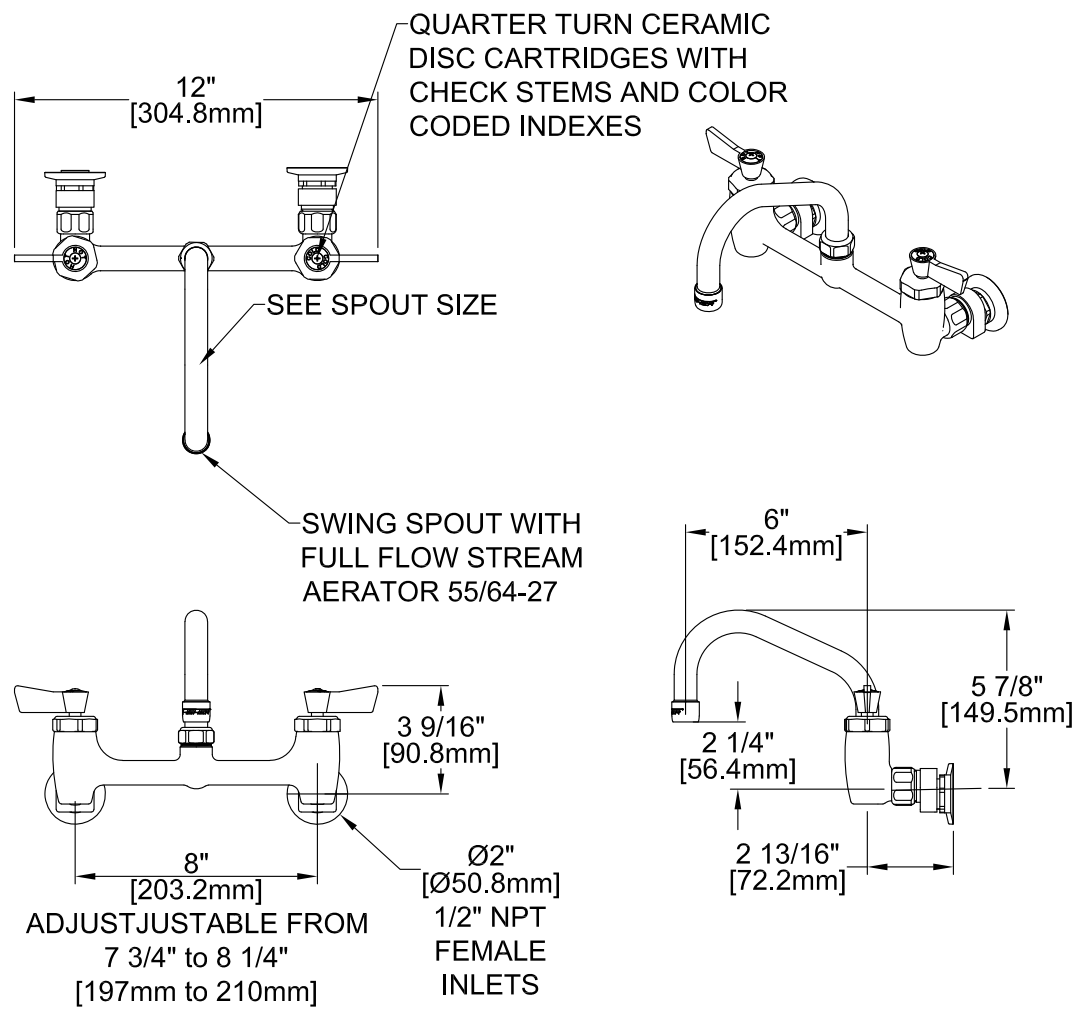


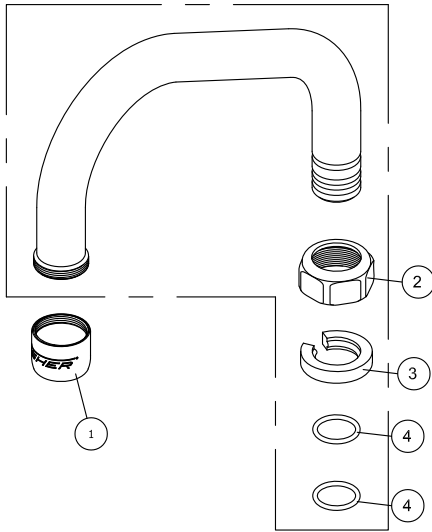
Customer/Wholesaler:	Date:	Job Name:	Model Specified:	Quantity:
Contractor:		Architect/Engineer:		

	MODEL	DESCRIPTION	SPOUT SIZE
<input type="checkbox"/>	32500	FAUCET 8AWCDLH	06SS
<input type="checkbox"/>	32510	FAUCET 8AWCDLH	08SS
<input type="checkbox"/>	32520	FAUCET 8AWCDLH	10SS
<input type="checkbox"/>	32530	FAUCET 8AWCDLH	12SS
<input type="checkbox"/>	32540	FAUCET 8AWCDLH	14SS
<input type="checkbox"/>	91020	FAUCET 8AWCDLH	16SS

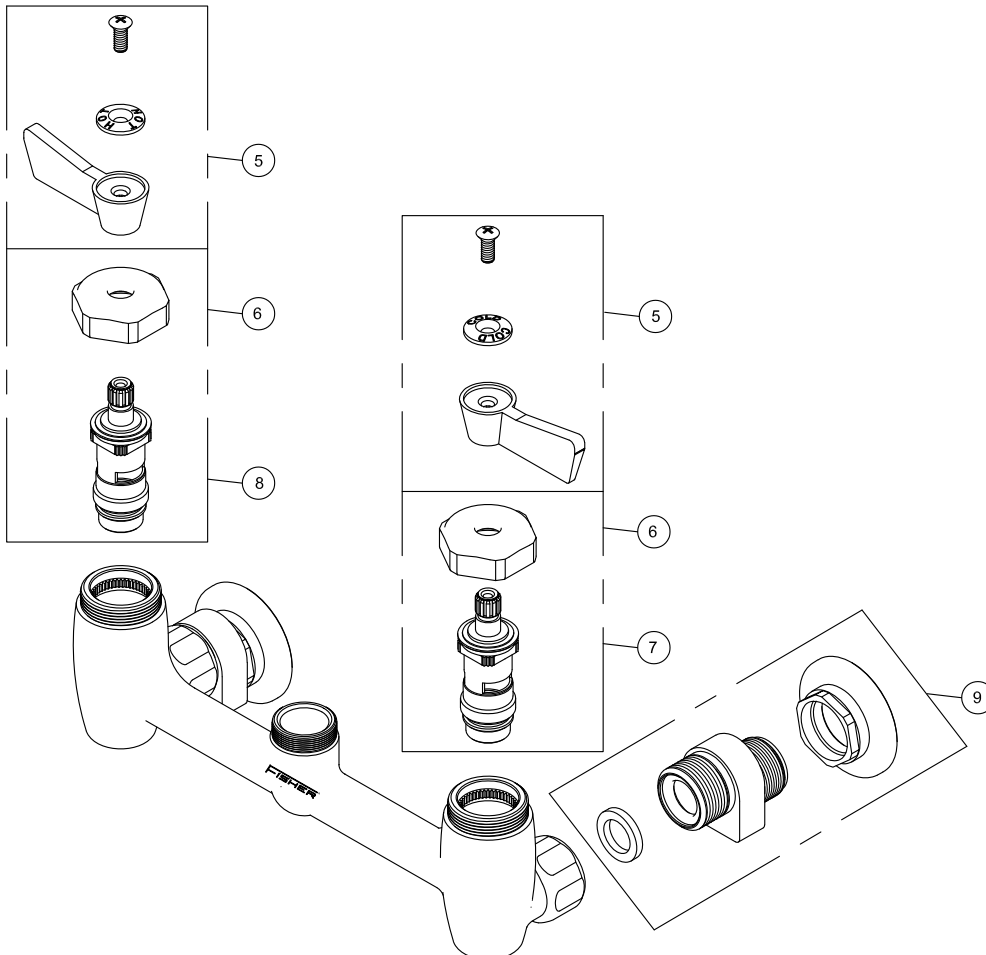


PRODUCT SPECIFICATIONS: 8" ADJUSTABLE WALL MOUNT MIXING FAUCET, QUARTER TURN CERAMIC DISC CARTRIDGES WITH LEVER HANDLES, SWING SPOUT WITH FULL FLOW STREAM AERATOR 55/64-27, 1/2" NPT ECCENTRICS INLET	PRODUCT COMPLIANCE: ASME A112.18.1 / CSA B125.1 NSF 61 - Section 9 NSF 372 (Low Lead Content)
--	---

Customer/Wholesaler:	Date:	Job Name:	Model Specified:	Quantity:
Contractor:		Architect/Engineer:		



NO.	QTY.	ITEM	NAME
1	1	75801	NEOSTRAHL FULL FLOW STREAM STRAIGHTENER 55/64-27
2	1	75237	NUT SPOUT 1/2 CD BRS POL CR
3	1	20020	SNAP RING FERRULE 1/2
4	2	1600-5000	O-RING SPOUT 1/2
5	2	2000-0002	HANDLE KIT LEVER
6	2	75957	BIBB CAP FAUCET CD NL BRS CR
7	1	75958	STEM 1/2 CERAMIC DISK LH
8	1	75959	STEM 1/2 CERAMIC DISK RH
9	2	3200-2307	ECCENTRIC KIT 1/2F



PRODUCT SPECIFICATIONS: 8" ADJUSTABLE WALL MOUNT MIXING FAUCET, QUARTER TURN CERAMIC DISK CARTRIDGES WITH LEVER HANDLES, SWING SPOUT WITH FULL FLOW STREAM AERATOR 55/64-27, 1/2" NPT ECCENTRICS INLET		PRODUCT COMPLIANCE: ASME A112.18.1 / CSA B125.1 NSF 61 - Section 9 NSF 372 (Low Lead Content)	
Drawn: DF	Checked: EM	Approved: DF	Date: 01/26/24
Sheet:		2 of 2	