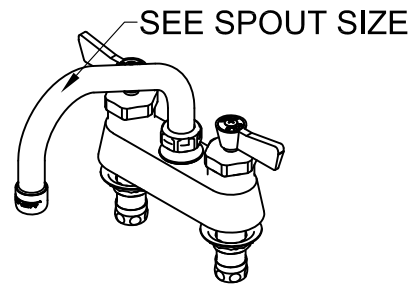
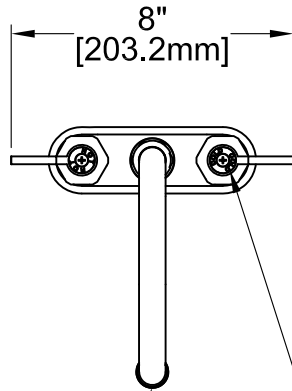


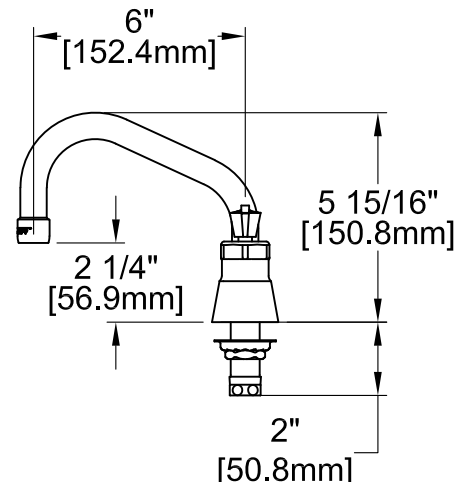
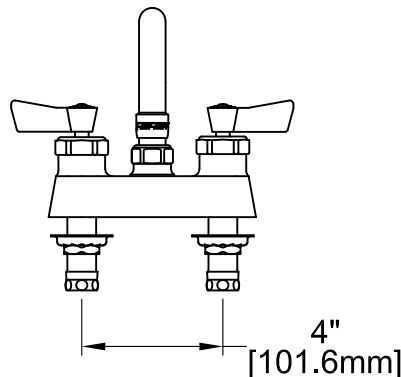
Customer/Wholesaler:	Date:	Job Name:	Model Specified:	Quantity:
Contractor:		Architect/Engineer:		

	MODEL	DESCRIPTION	SPOUT SIZE
<input type="checkbox"/>	35100	FAUCET 8BSCDLH	06SS
<input type="checkbox"/>	35110	FAUCET 8BSCDLH	08SS
<input type="checkbox"/>	35120	FAUCET 8BSCDLH	10SS
<input type="checkbox"/>	35130	FAUCET 8BSCDLH	12SS



SWING SPOUT WITH
FULL FLOW STREAM
AERATOR 55/64-27

QUARTER TURN CERAMIC
DISC CARTRIDGES WITH
CHECK STEMS AND COLOR
CODED INDEXES



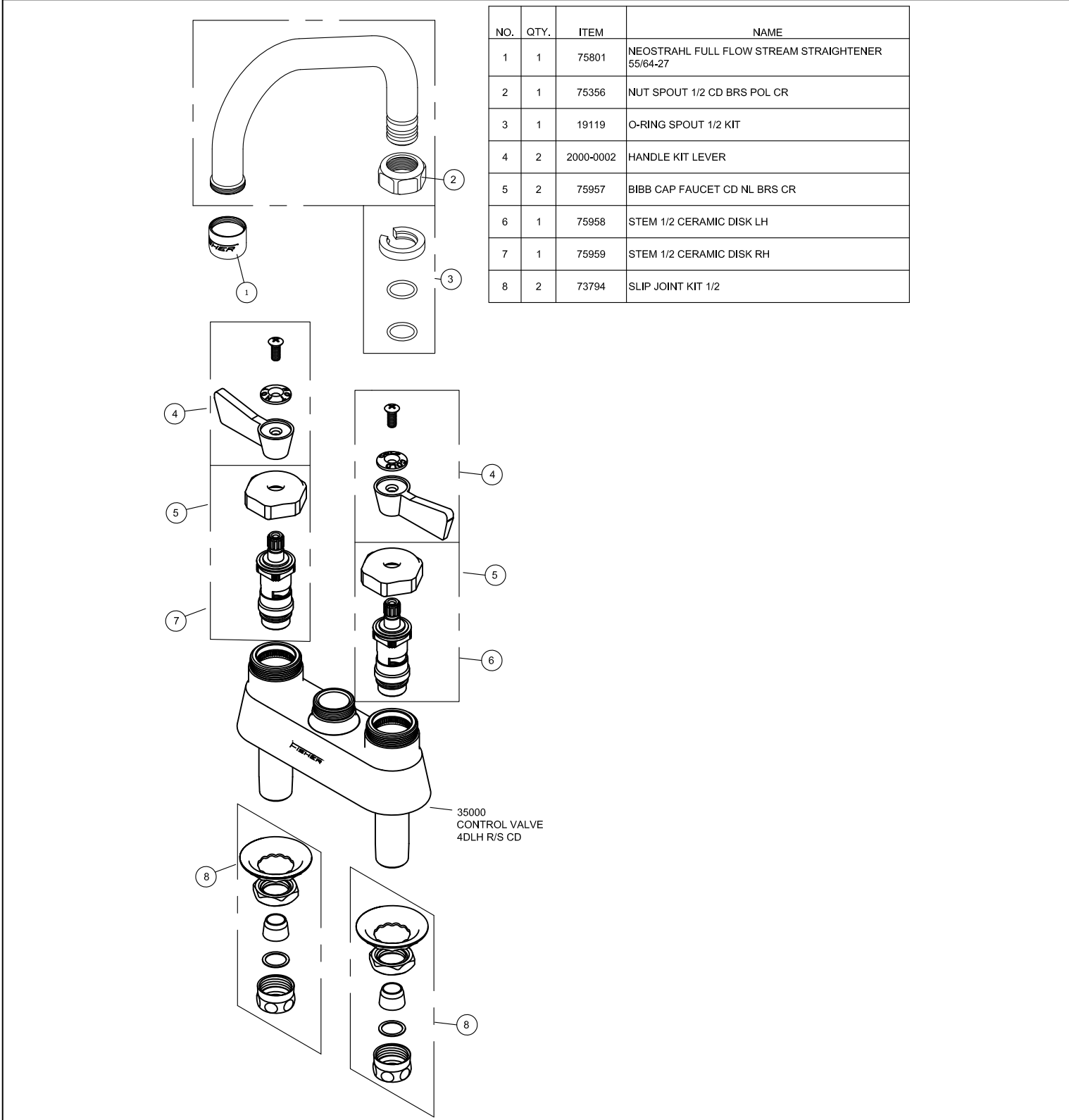
PRODUCT SPECIFICATIONS:

4" DECK MOUNT MIXING FAUCET, QUARTER TURN CERAMIC DISC CARTRIDGES WITH LEVER HANDLES, SWING SPOUT WITH FULL FLOW STREAM AERATOR 55/64-27, 1/2" NPT INLETS

PRODUCT COMPLIANCE:

ASME A112.18.1 / CSA B125.1
NSF 61 - Section 9
NSF 372 (Low Lead Content)

Customer/Wholesaler:	Date:	Job Name:	Model Specified:	Quantity:
Contractor:		Architect/Engineer:		



<p>PRODUCT SPECIFICATIONS: 4" DECK MOUNT MIXING FAUCET, QUARTER TURN CERAMIC DISC CARTRIDGES WITH LEVER HANDLES, SWING SPOUT WITH FULL FLOW STREAM AERATOR 55/64-27, 1/2" NPT INLETS.</p>	<p>PRODUCT COMPLIANCE: ASME A112.18.1 / CSA B125.1 NSF 61 - Section 9 NSF 372 (Low Lead Content)</p>
--	---