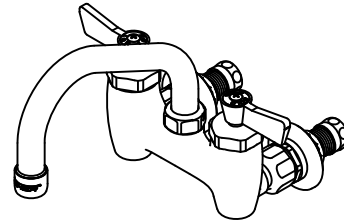
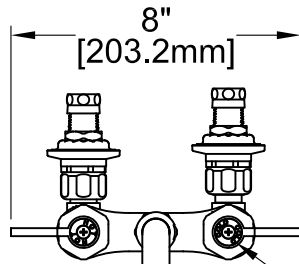


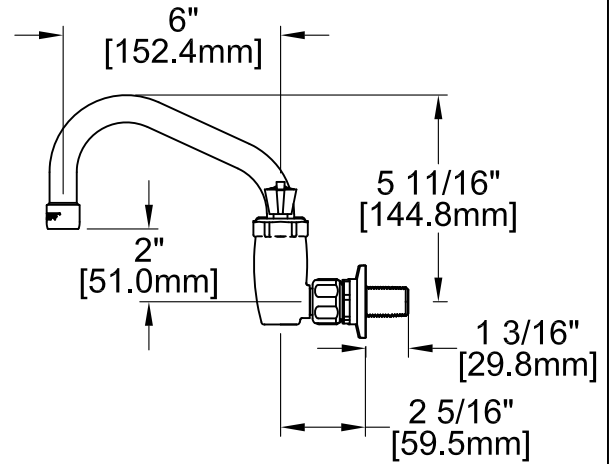
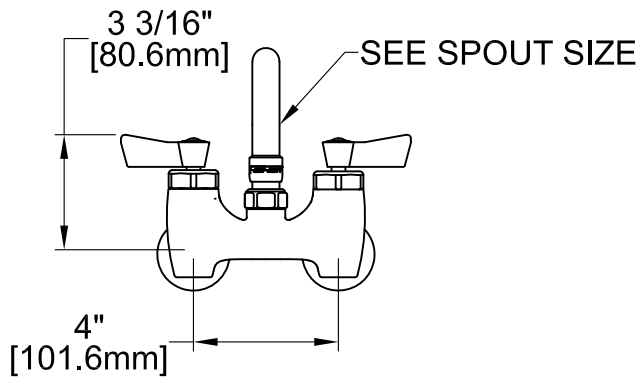
Customer/Wholesaler:	Date:	Job Name:	Model Specified:	Quantity:
Contractor:		Architect/Engineer:		

MODEL	DESCRIPTION	SPOUT SIZE
<input type="checkbox"/> 36100	FAUCET 4BSCDLH	06SS
<input type="checkbox"/> 36130	FAUCET 4BSCDLH	12SS



QUARTER TURN CERAMIC DISC CARTRIDGES WITH CHECK STEMS AND COLOR CODED INDEXES

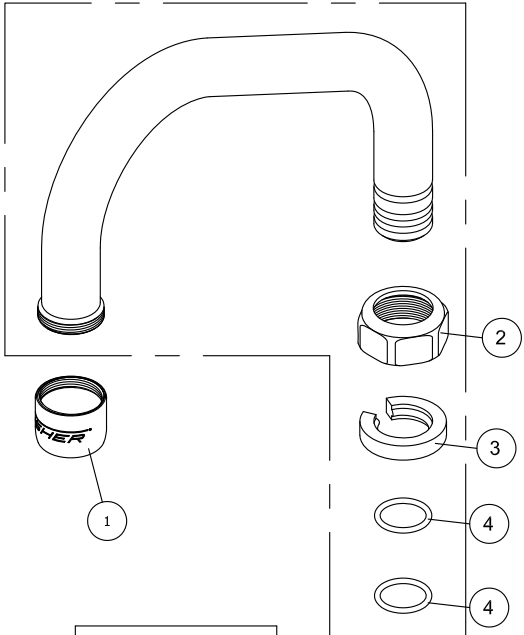
SWING SPOUT WITH FULL FLOW STREAM AERATOR 55/64-27



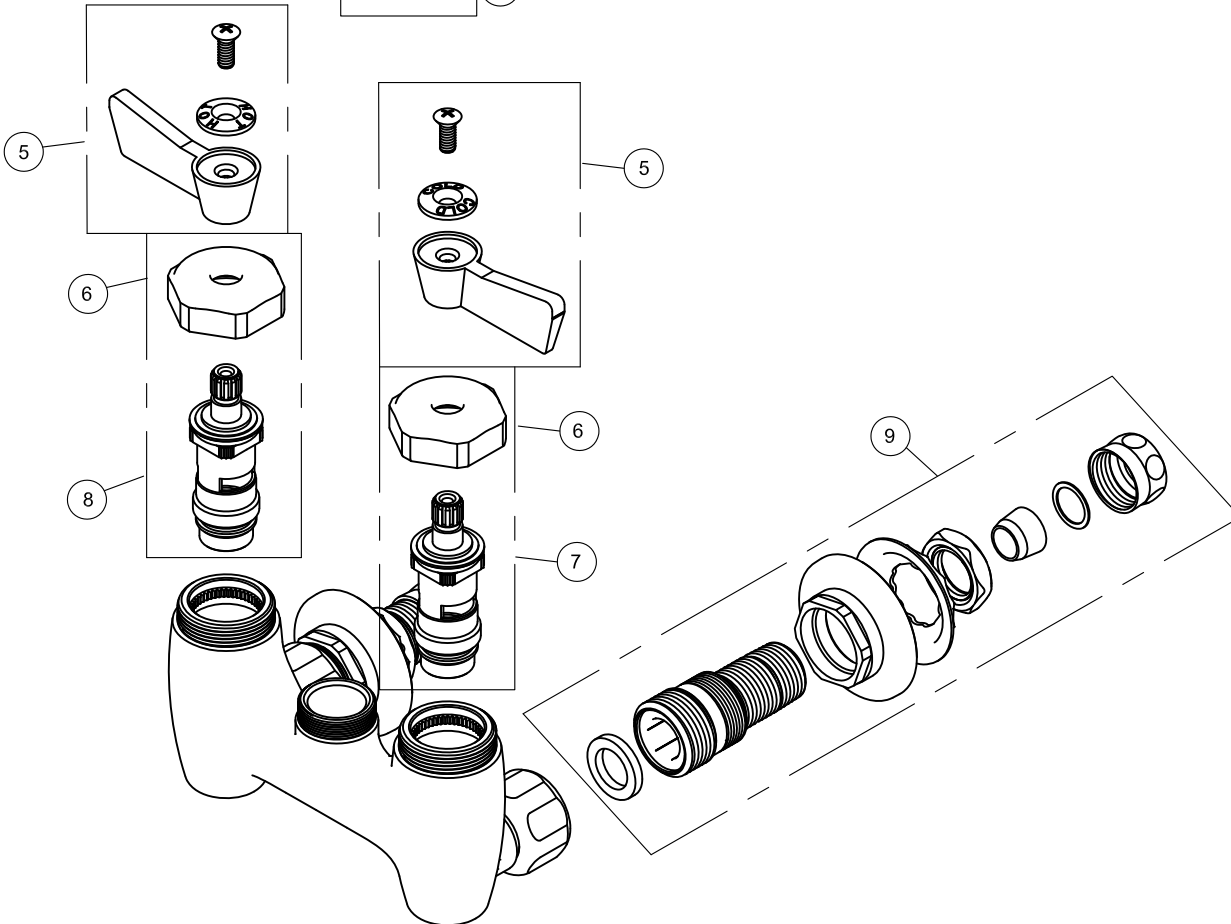
PRODUCT SPECIFICATIONS:
4" BACKSPLASH MOUNT MIXING FAUCET, QUARTER TURN CERAMIC DISC CARTRIDGES WITH LEVER HANDLES, SWING SPOUT WITH FULL FLOW STREAM AERATOR 55/64-27, 1/2" NPT CONCENTRICS INLET

PRODUCT COMPLIANCE:
ASME A112.18.1 / CSA B125.1
NSF 61 - Section 9
NSF 372 (Low Lead Content)

Customer/Wholesaler:	Date:	Job Name:	Model Specified:	Quantity:
Contractor:		Architect/Engineer:		



NO.	QTY.	ITEM	NAME
1	1	75801	NEOSTRAHL FULL FLOW STREAM STRAIGHTENER 55/64-27
2	1	75237	NUT SPOUT 1/2 CD BRS POL CR
3	1	20020	SNAP RING FERRULE 1/2
4	2	1600-5000	O-RING SPOUT 1/2
5	2	2000-0002	HANDLE KIT LEVER
6	2	75957	BIBB CAP FAUCET CD NL BRS CR
7	1	75958	STEM 1/2 CERAMIC DISK LH
8	1	75959	STEM 1/2 CERAMIC DISK RH
9	2	22594	CONCENTRIC KIT BRS1/2M



PRODUCT SPECIFICATIONS:
4" BACKSPASH MOUNT MIXING FAUCET, QUARTER TURN CERAMIC DISK CARTRIDGES WITH LEVER HANDLES, SWING SPOUT WITH FULL FLOW STREAM AERATOR 55/64-27, 1/2" NPT CONCENTRICS INLET

PRODUCT COMPLIANCE:
ASME A112.18.1 / CSA B125.1
NSF 61 - Section 9
NSF 372 (Low Lead Content)