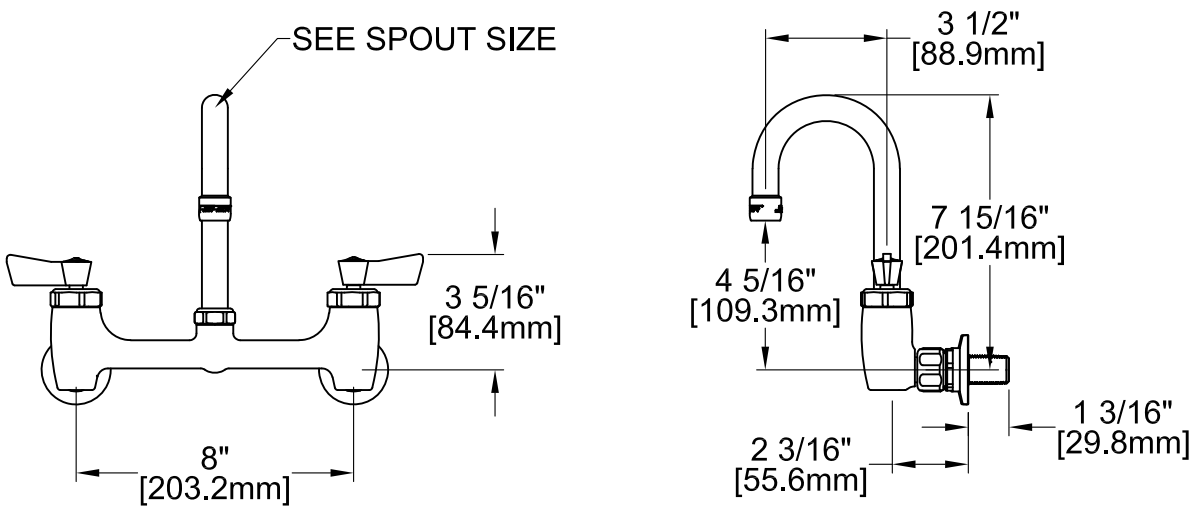
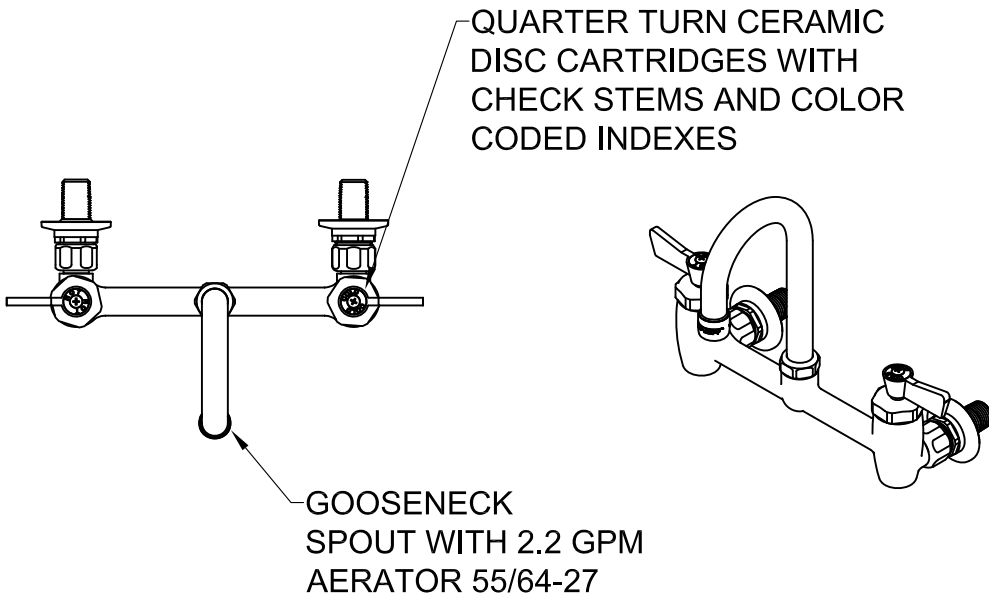


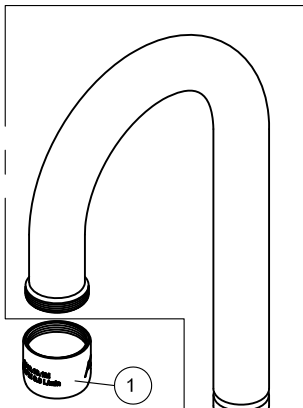
Customer/Wholesaler:	Date:	Job Name:	Model Specified:	Quantity:
Contractor:		Architect/Engineer:		

MODEL	DESCRIPTION	SPOUT SIZE
<input type="checkbox"/> 13220	FAUCET 8BSCDLH	06SGN
<input type="checkbox"/> 13280	FAUCET 8BSCDLH	12SGN

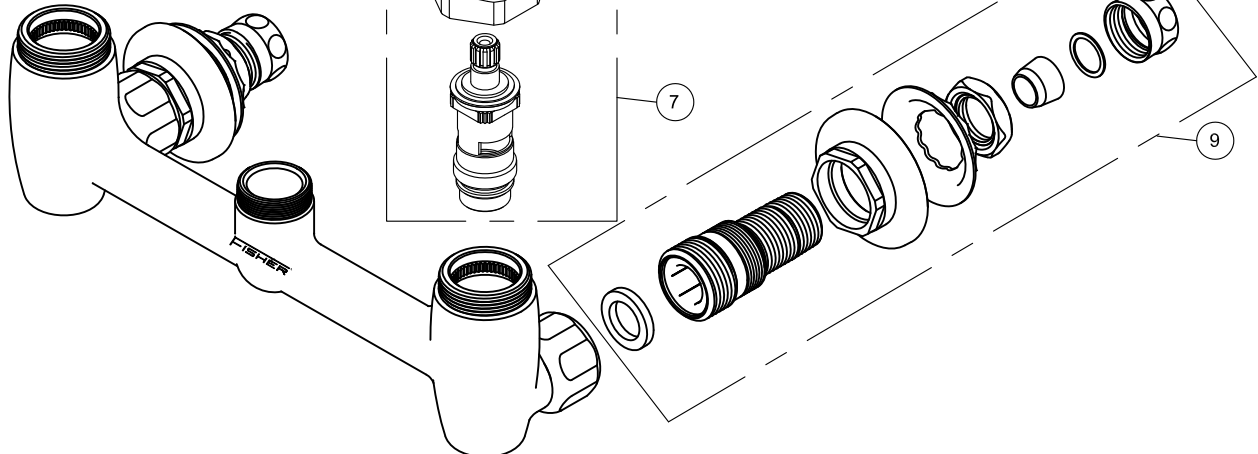
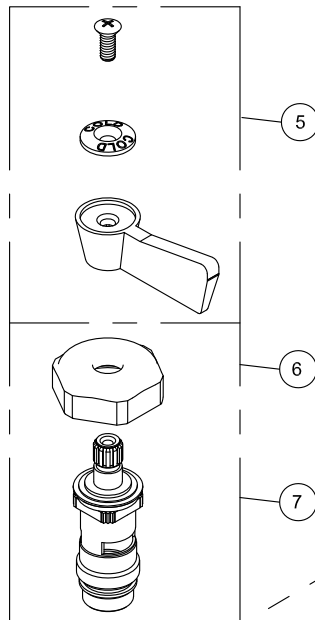
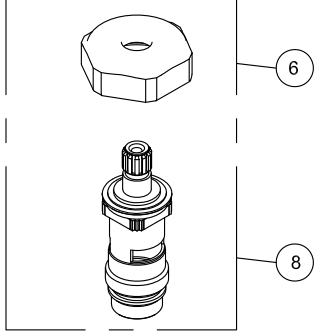
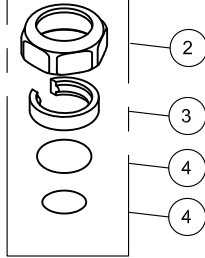


PRODUCT SPECIFICATIONS: 8" BACKSPASH MOUNT MIXING FAUCET, QUARTER TURN CERAMIC DISC CARTRIDGES WITH LEVER HANDLES, GOOSENECK SPOUT WITH 2.2 GPM AERATOR 55/64-27, 1/2" NPT CONCENTRICS INLET		PRODUCT COMPLIANCE: ASME A112.18.1 / CSA B125.1 NSF 61 - Section 9 NSF 372 (Low Lead Content)	
Drawn: DF	Checked: EM	Approved: DF	Date: 01/26/24
Sheet:		1 of 2	

Customer/Wholesaler:	Date:	Job Name:	Model Specified:	Quantity:
Contractor:		Architect/Engineer:		



NO.	QTY.	ITEM	NAME
1	1	12564	AERATOR 55/64-27F PER 2.20 GPM
2	1	75237	NUT SPOUT 1/2 CD BRS POL CR
3	1	20020	SNAP RING FERRULE 1/2
4	2	1600-5000	O-RING SPOUT 1/2
5	2	2000-0002	HANDLE KIT LEVER



<p>PRODUCT SPECIFICATIONS: 8" BACKSPASH MOUNT MIXING FAUCET, QUARTER TURN CERAMIC DISC CARTRIDGES WITH LEVER HANDLES, GOOSENECK SPOUT WITH 2.2 GPM AERATOR 55/64-27, 1/2" NPT CONCENTRICS INLET</p>	<p>PRODUCT COMPLIANCE: ASME A112.18.1 / CSA B125.1 NSF 61 - Section 9 NSF 372 (Low Lead Content)</p>			
Drawn: DF	Checked: EM	Approved: DF	Date: 01/26/24	Sheet: 2 of 2