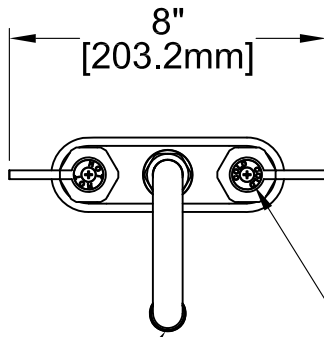


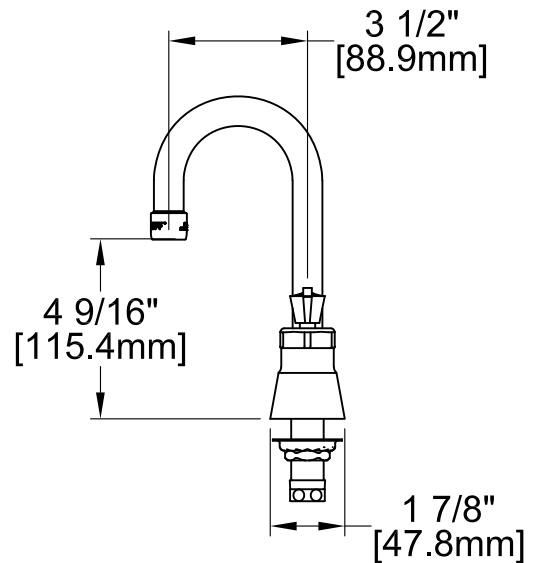
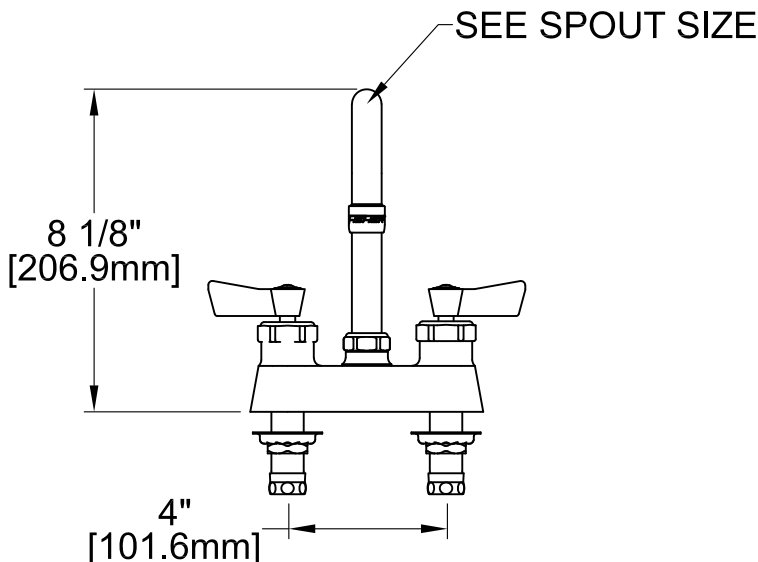
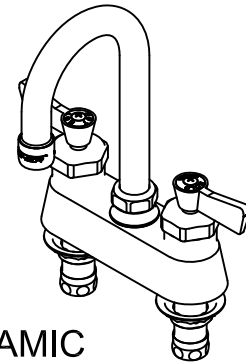
Customer/Wholesaler:	Date:	Job Name:	Model Specified:	Quantity:
Contractor:		Architect/Engineer:		

MODEL	DESCRIPTION	SPOUT SIZE
<input type="checkbox"/> 35250	FAUCET 4DCDLH	06SGN
<input type="checkbox"/> 35150	FAUCET 4DCDLH	12SGN



GOOSE NECK  
SPOUT WITH 2.2 GPM  
AERATOR 55/64-27

QUARTER TURN CERAMIC  
DISC CARTRIDGES WITH  
CHECK STEMS AND COLOR  
CODED INDEXES



PRODUCT SPECIFICATIONS:  
4" DECK MOUNT MIXING FAUCET, QUARTER TURN CERAMIC DISC CARTRIDGES WITH LEVER  
HANDLES, GOOSENECK SPOUT WITH 2.2 GPM AERATOR 55/64-27, 1/2" NPT INLETS

PRODUCT COMPLIANCE:  
ASME A112.18.1 / CSA B125.1  
NSF 61 - Section 9  
NSF 372 (Low Lead Content)



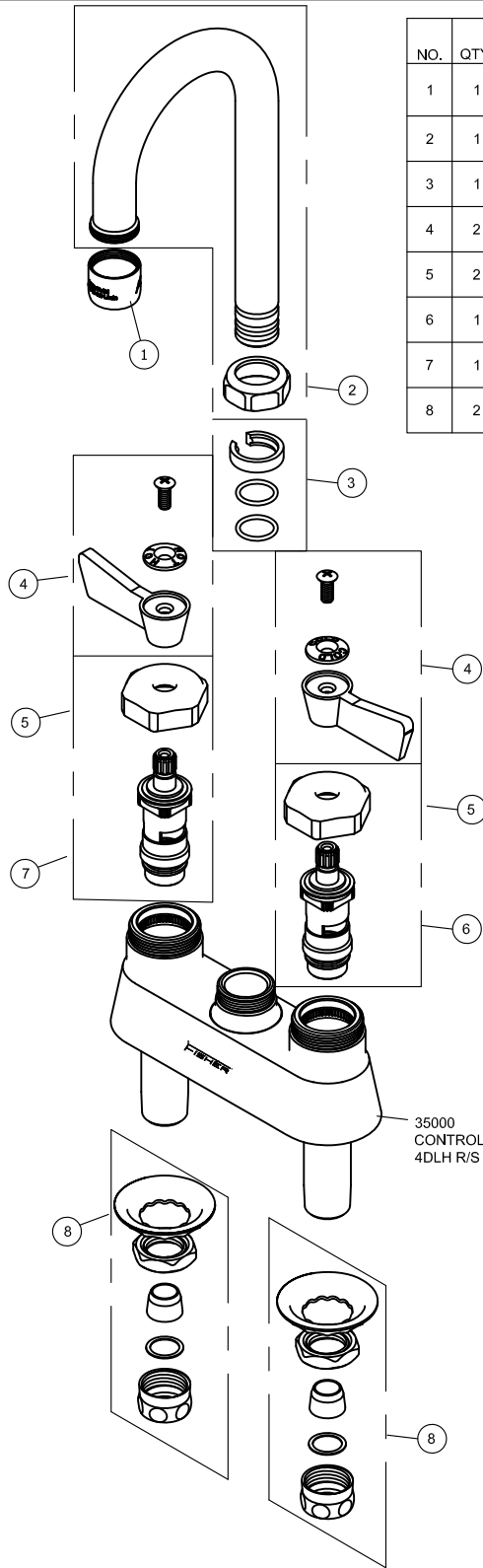
FISHER MANUFACTURING COMPANY TOLL FREE: 800-421-6162 - FAX: 800-832-8238  
 customer@fisherfaucets.com - www.fisherfaucets.com

PRODUCT NAME:

FAUCET 4DCDLH SGN 2.20 GPM

SPEC. FACB-BR-4DLL

Customer/Wholesaler:	Date:	Job Name:	Model Specified:	Quantity:
Contractor:		Architect/Engineer:		



NO.	QTY.	ITEM	NAME
1	1	12564	AERATOR 55/64-27F PER 2.20 GPM
2	1	75356	NUT SPOUT 1/2 CD BRS POL CR
3	1	19119	O-RING 1/2 SPOUT KIT
4	2	2000-0002	HANDLE KIT LEVER
5	2	75957	BIBB CAP FAUCET CD NL BRS CR
6	1	75958	STEM 1/2 CERAMIC DISK LH
7	1	75959	STEM 1/2 CERAMIC DISK RH
8	2	73794	SLIP JOINT KIT 1/2

35000  
CONTROL VALVE  
4DLH R/S CD

<b>PRODUCT SPECIFICATIONS:</b> 4" DECK MOUNT MIXING FAUCET, QUARTER TURN CERAMIC DISK CARTRIDGES WITH LEVER HANDLES, GOOSENECK SPOUT WITH 2.2 GPM AERATOR 55/64-27, 1/2" NPT INLETS.	<b>PRODUCT COMPLIANCE:</b> ASME A112.18.1 / CSA B125.1 NSF 61 - Section 9 NSF 372 (Low Lead Content)
---	---