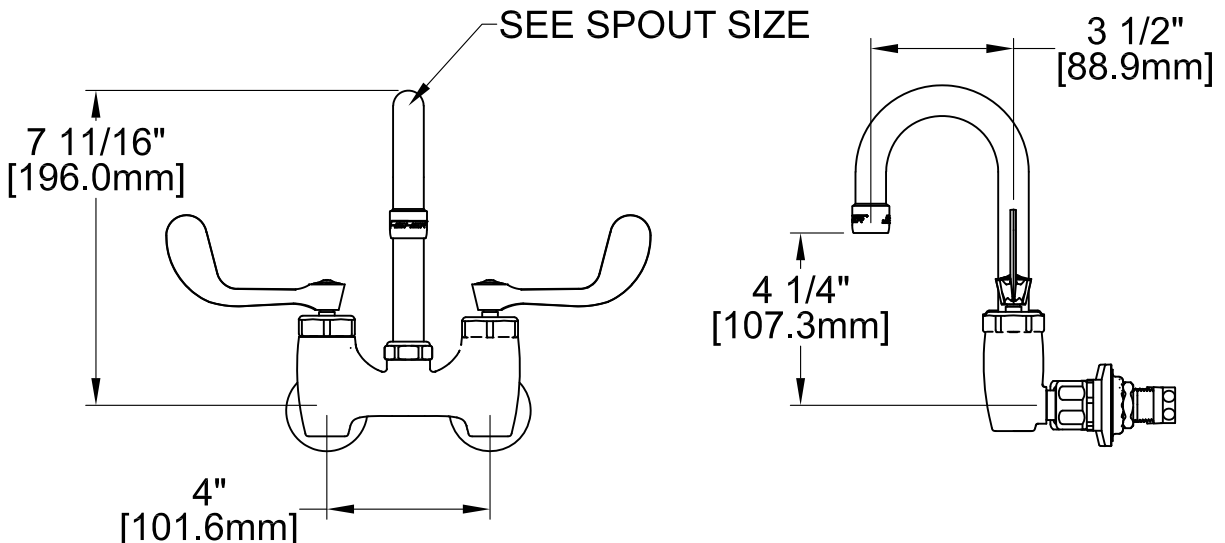
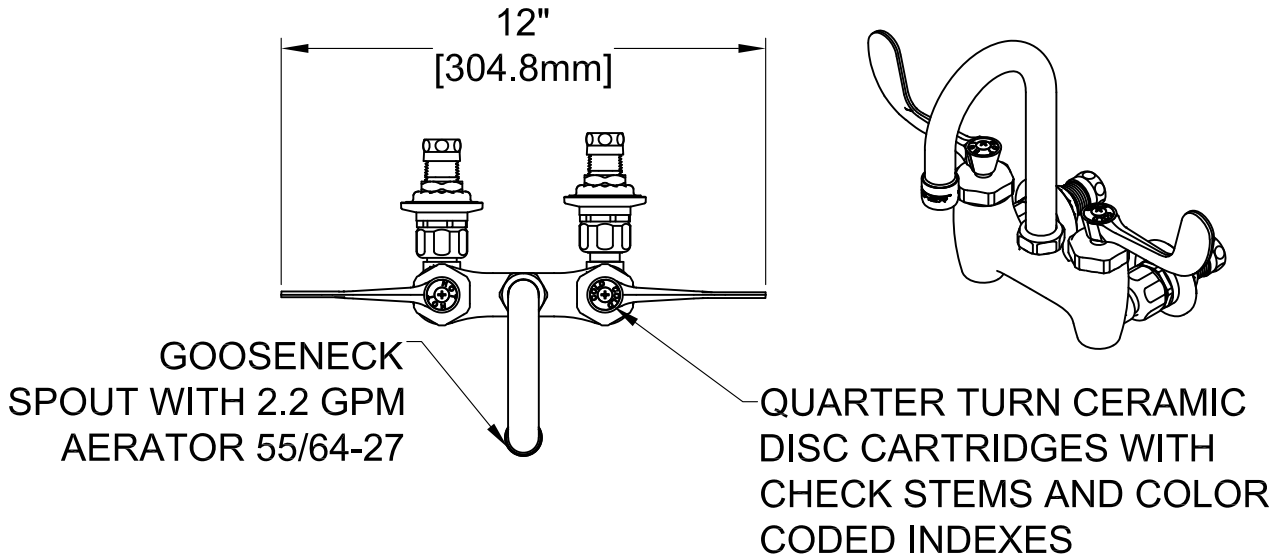


Customer/Wholesaler:	Date:	Job Name:	Model Specified:	Quantity:
Contractor:		Architect/Engineer:		

MODEL	DESCRIPTION	SPOUT SIZE
<input type="checkbox"/> 90470	FAUCET 4BSCDWH	06SGN
<input type="checkbox"/> 80100	FAUCET 4BSCDWH	12SGN



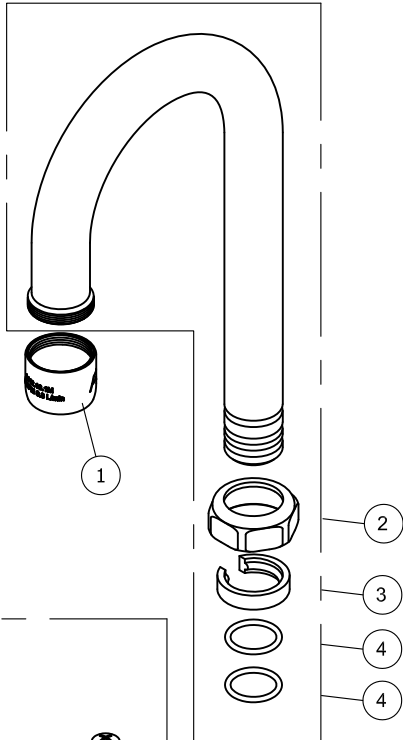
PRODUCT SPECIFICATIONS:

4" BACKSPASH MOUNT MIXING FAUCET, QUARTER TURN CERAMIC DISC CARTRIDGES WITH WRIST HANDLES, GOOSENECK SPOUT WITH 2.2 GPM AERATOR 55/64-27, 1/2" NPT CONCENTRICS INLET

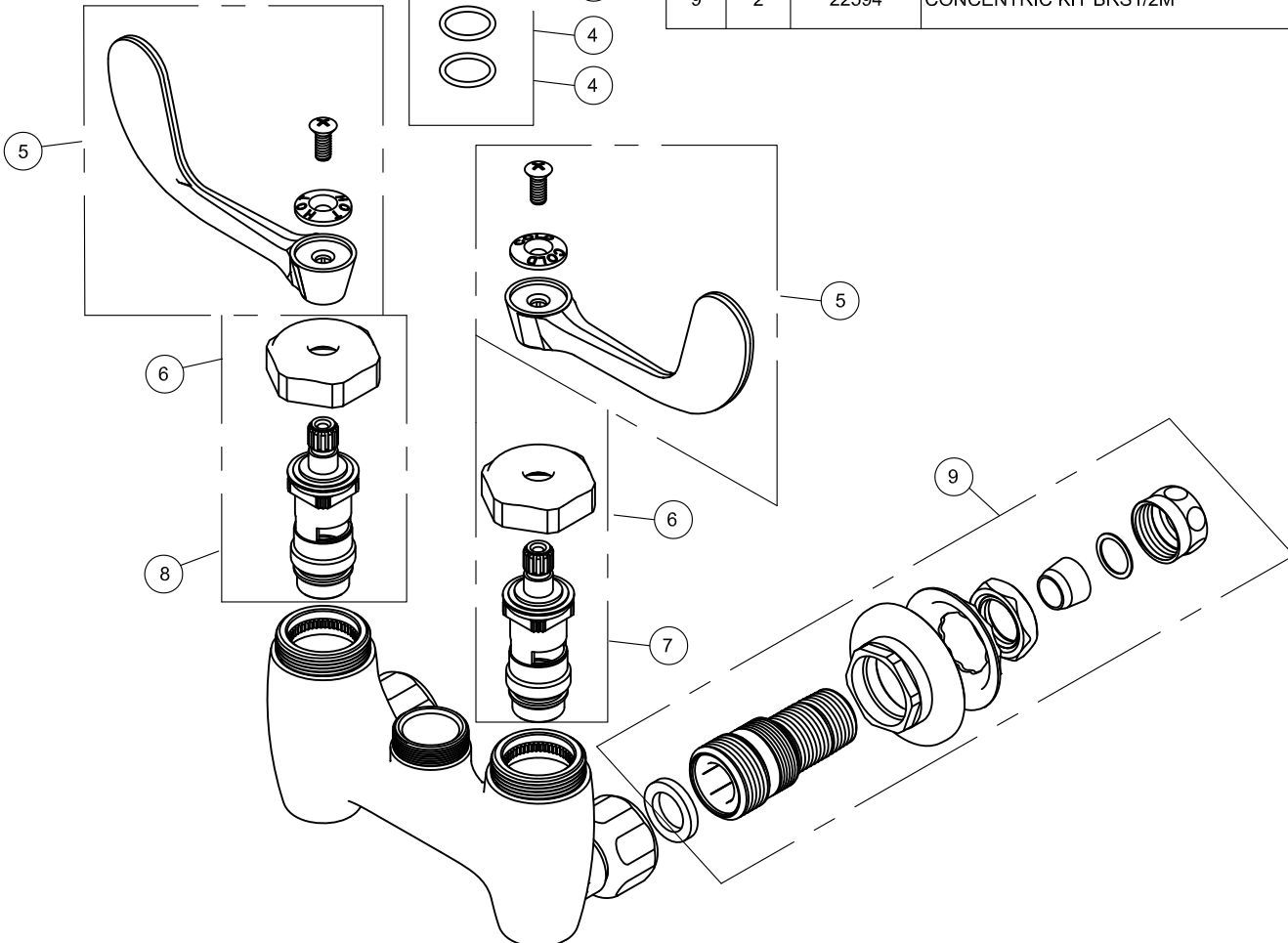
PRODUCT COMPLIANCE:

ASME A112.18.1 / CSA B125.1
NSF 61 - Section 9
NSF 372 (Low Lead Content)

Customer/Wholesaler:	Date:	Job Name:	Model Specified:	Quantity:
Contractor:		Architect/Engineer:		



NO.	QTY.	ITEM	NAME
1	1	12564	AERATOR 55/64-27F PER 2.20 GPM
2	1	75237	NUT SPOUT 1/2 CD BRS POL CR
3	1	20020	SNAP RING FERRULE 1/2
4	2	1600-5000	O-RING SPOUT 1/2
5	2	3984	HANDLE KIT WRIST
6	2	75957	BIBB CAP FAUCET CD NL BRS CR
7	1	75958	STEM 1/2 CERAMIC DISK LH
8	1	75959	STEM 1/2 CERAMIC DISK RH
9	2	22594	CONCENTRIC KIT BRS1/2M



PRODUCT SPECIFICATIONS:
4" BACKSPASH MOUNT MIXING FAUCET, QUARTER TURN CERAMIC DISK CARTRIDGES WITH WRIST HANDLES, GOOSENECK SPOUT WITH 2.2 GPM AERATOR 55/64-27, 1/2" NPT CONCENTRICS INLET

PRODUCT COMPLIANCE:
ASME A112.18.1 / CSA B125.1
NSF 61 - Section 9
NSF 372 (Low Lead Content)