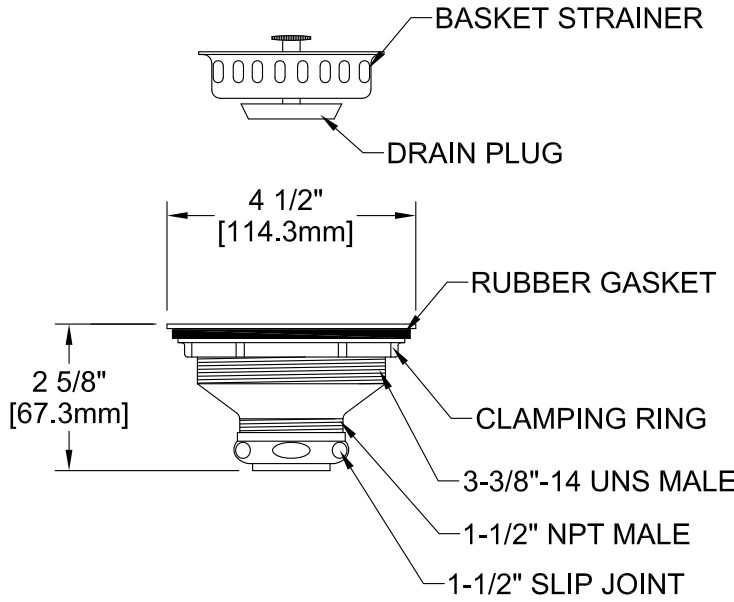


Customer/Wholesaler:	Date:	Job Name:	Model Specified:	Quantity:
Contractor:		Architect/Engineer:		



MODEL:
 6556 W/ BASKET STRAINER

OPTIONS OR MODIFICATIONS:
 OTHER _____

FEATURES:
 * CHROME PLATED BRASS BODY
 * CAST BRASS CLAMPING RING
 * STAINLESS STEEL BASKET STRAINER WITH DRAIN PLUG
 * 1-1/2" SLIP JOINT INCLUDED

DRAIN RATE:
 * 12 GPM

SHIPPING WEIGHT
 * 1.0 LBS

ROUGH-IN:

