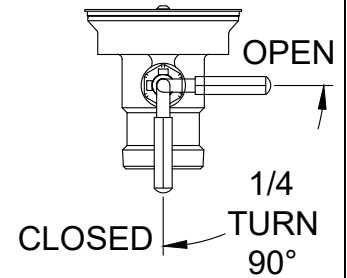
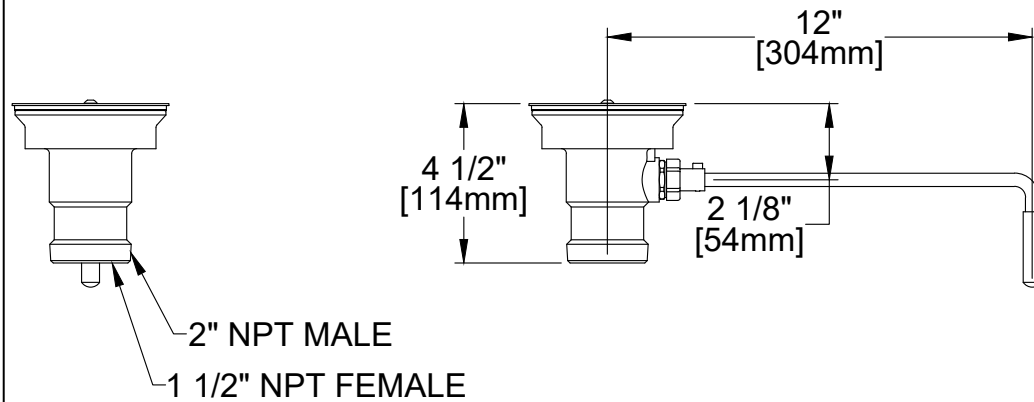


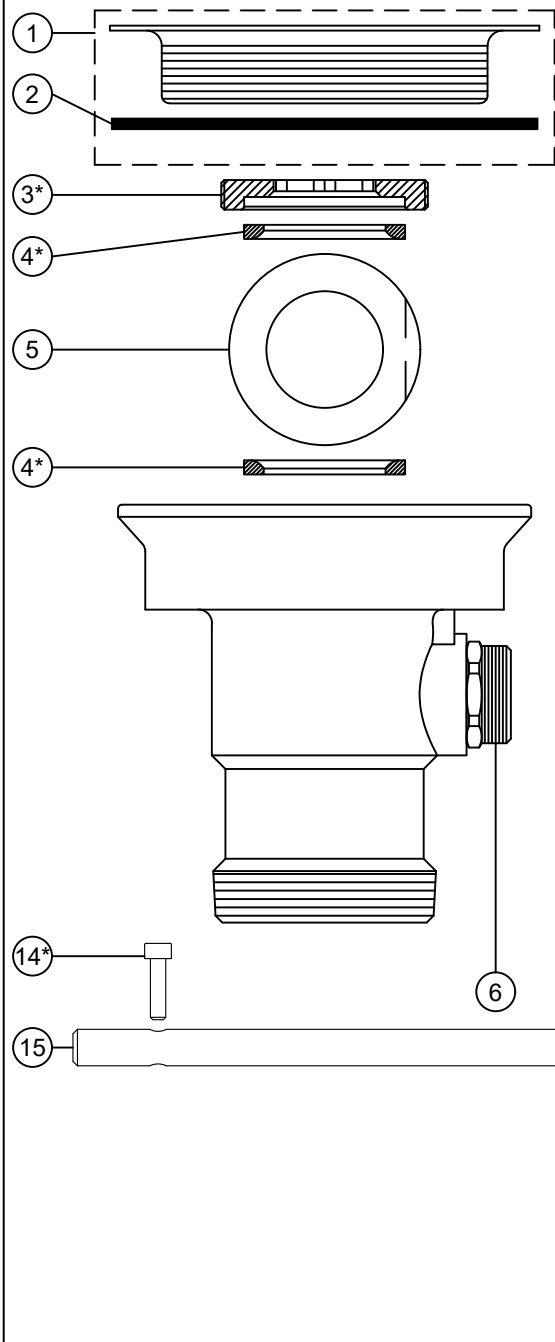
Customer/Wholesaler:	Date:	Job Name:	Model Specified: 65676	Quantity:
Contractor:		Architect/Engineer:		



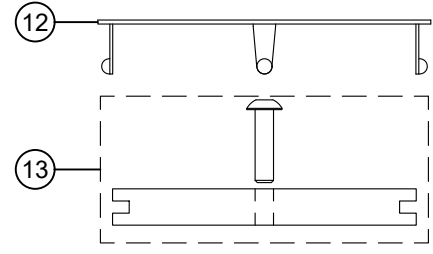
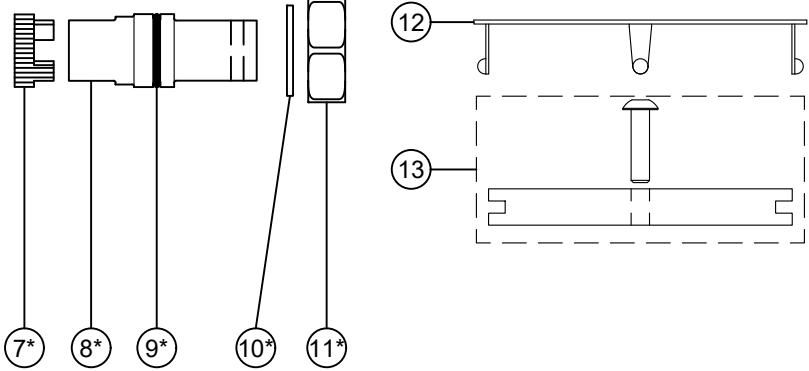
PRODUCT SPECIFICATIONS:
DRAINING WASTE VALVE, VANDAL RESISTANT WITH STAINLESS STEEL FLAT STRAINER, LEVER HANDLE, 2" NPT MALE, 1 1/2" FEMALE, 3 1/2" ROUGH-IN, DRAIN RATE 12.0 GPM (45.4 LPM)

PRODUCT COMPLIANCE:
ASME A112.18.2 / CSA B125.2

Customer/Wholesaler:	Date:	Job Name:	Model Specified: 65676	Quantity:
Contractor:		Architect/Engineer:		



DRAINING REPLACEMENT PARTS				
NO.	QTY	76052 REPAIR KIT	Item	Name
1	1	-	18937	CLAMPING RING
2	1	-	11274	GASKET CLAMPING RING
*3	1	INCLUDED	20230	RETAINER NUT
*4	2	INCLUDED	21229	SEAL TFE
5	1	-	20168	BALL WASTE VALVE
6	1	-	73697	STOP ADAPTER
*7	1	INCLUDED	22241	ROTOR STOP
*8	1	INCLUDED	22233	ROTOR
*9	1	INCLUDED	1600-5000	O-RING
*10	1	INCLUDED	3000-5002	ROTOR GASKET
*11	1	INCLUDED	21393	ROTOR NUT
12	1	-	22535	FLAT STRAINER
13	1	-	23590	VANDAL RESISTANT KIT
*14	1	INCLUDED	73878	SCREW M4 X 0.7MM X 16MM
15	1	-	72819	HANDLE



PRODUCT SPECIFICATIONS: DRINKING WASTE VALVE, VANDAL RESISTANT WITH STAINLESS STEEL FLAT STRAINER, LEVER HANDLE, 2" NPT MALE, 1 1/2" FEMALE, 3 1/2" ROUGH-IN, DRAIN RATE 12.0 GPM (45.4 LPM)	PRODUCT COMPLIANCE: ASME A112.18.2 / CSA B125.2
--	---