

FISHER[®]

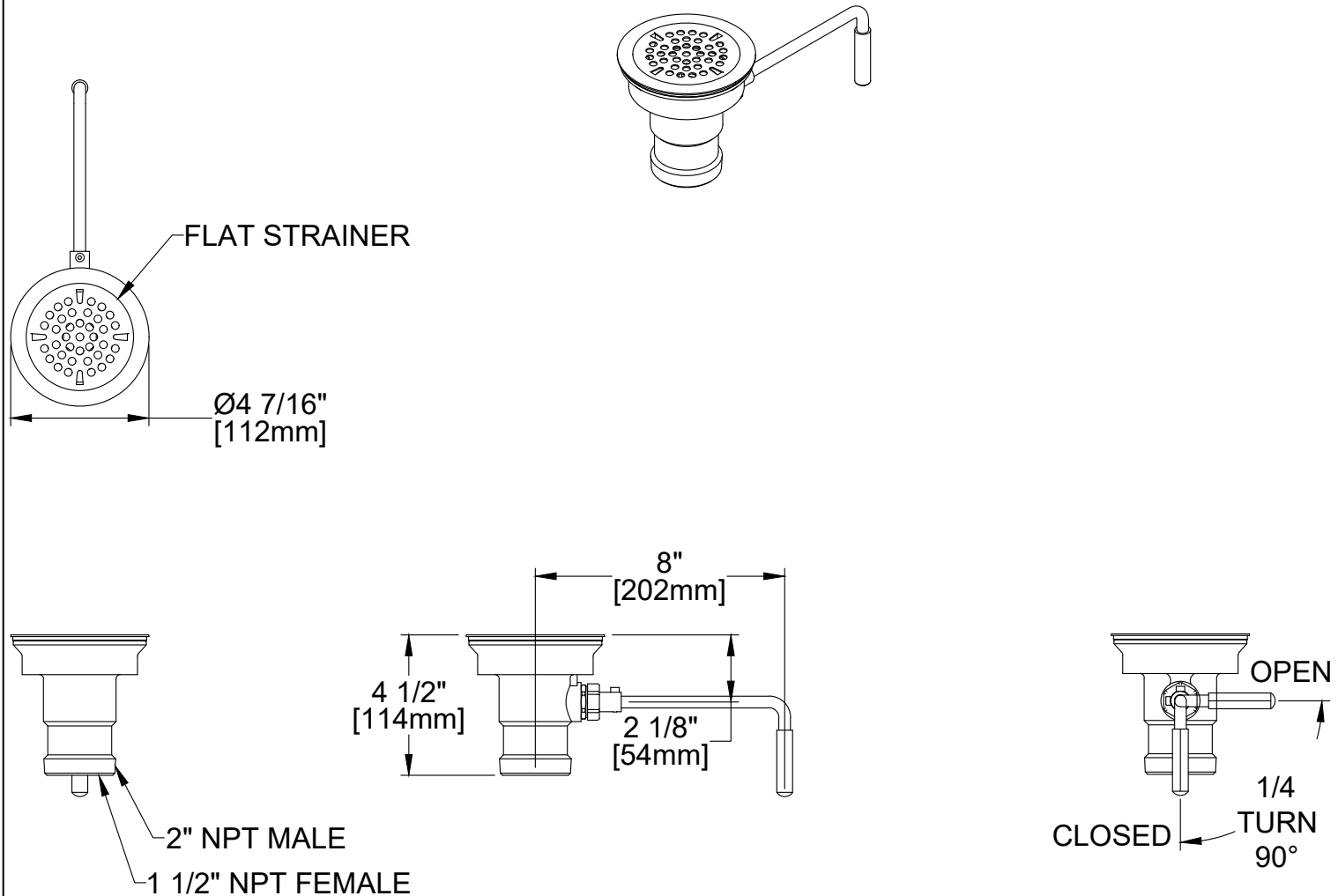
FISHER MANUFACTURING COMPANY TOLL FREE: 800-421-6162 - FAX: 800-832-8238
customer@fisherfaucets.com - www.fisherfaucets.com

PRODUCT NAME:

DRAINING FLAT STRAINER BRS SHORT HANDLE

SPEC. DNWV-DNF-XXDKLS

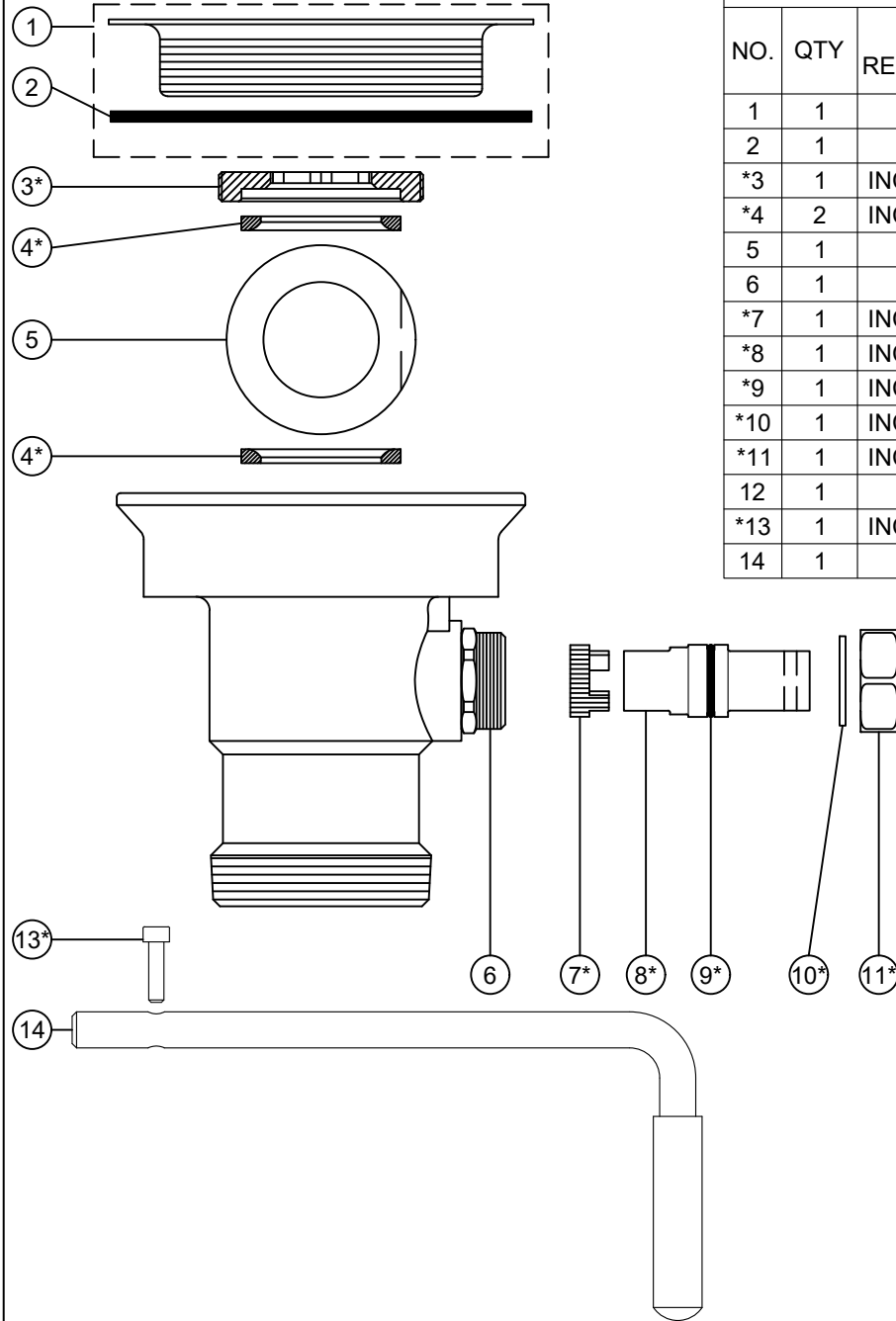
Customer/Wholesaler:	Date:	Job Name:	Model Specified: 52434	Quantity:
Contractor:	Architect/Engineer:			



PRODUCT SPECIFICATIONS:
DRAINING WASTE VALVE, STAINLESS STEEL FLAT STRAINER, SHORT LEVER HANDLE, 2" NPT MALE, 1 1/2" FEMALE, 3 1/2" ROUGH-IN, DRAIN RATE 12.0 GPM (45.4 LPM)

PRODUCT COMPLIANCE:
ASME A112.18.2 / CSA B125.2

Customer/Wholesaler:	Date:	Job Name:	Model Specified: 52434	Quantity:
Contractor:		Architect/Engineer:		



DRAINING REPLACEMENT PARTS				
NO.	QTY	76052 REPAIR KIT	Item	Name
1	1	-	18937	CLAMPING RING
2	1	-	11274	GASKET CLAMPING RING
*3	1	INCLUDED	20230	RETAINER NUT
*4	2	INCLUDED	21229	SEAL TFE
5	1	-	20168	BALL WASTE VALVE
6	1	-	73697	STOP ADAPTER
*7	1	INCLUDED	22241	ROTOR STOP
*8	1	INCLUDED	22233	ROTOR
*9	1	INCLUDED	1600-5000	O-RING
*10	1	INCLUDED	3000-5002	ROTOR GASKET
*11	1	INCLUDED	21393	ROTOR NUT
12	1	-	22535	FLAT STRAINER
*13	1	INCLUDED	73878	SCREW M4 X 0.7MM X 16MM
14	1	-	52426	SHORT HANDLE

PRODUCT SPECIFICATIONS:
 DRAINING WASTE VALVE, STAINLESS STEEL FLAT STRAINER, SHORT LEVER HANDLE, 2" NPT MALE, 1 1/2" FEMALE, 3 1/2" ROUGH-IN, DRAIN RATE 12.0 GPM (45.4 LPM)

PRODUCT COMPLIANCE:
 ASME A112.18.2 / CSA B125.2