

APPLICATION:

PRODUCT NAME:
SS CTL VLV SDDLH SVL

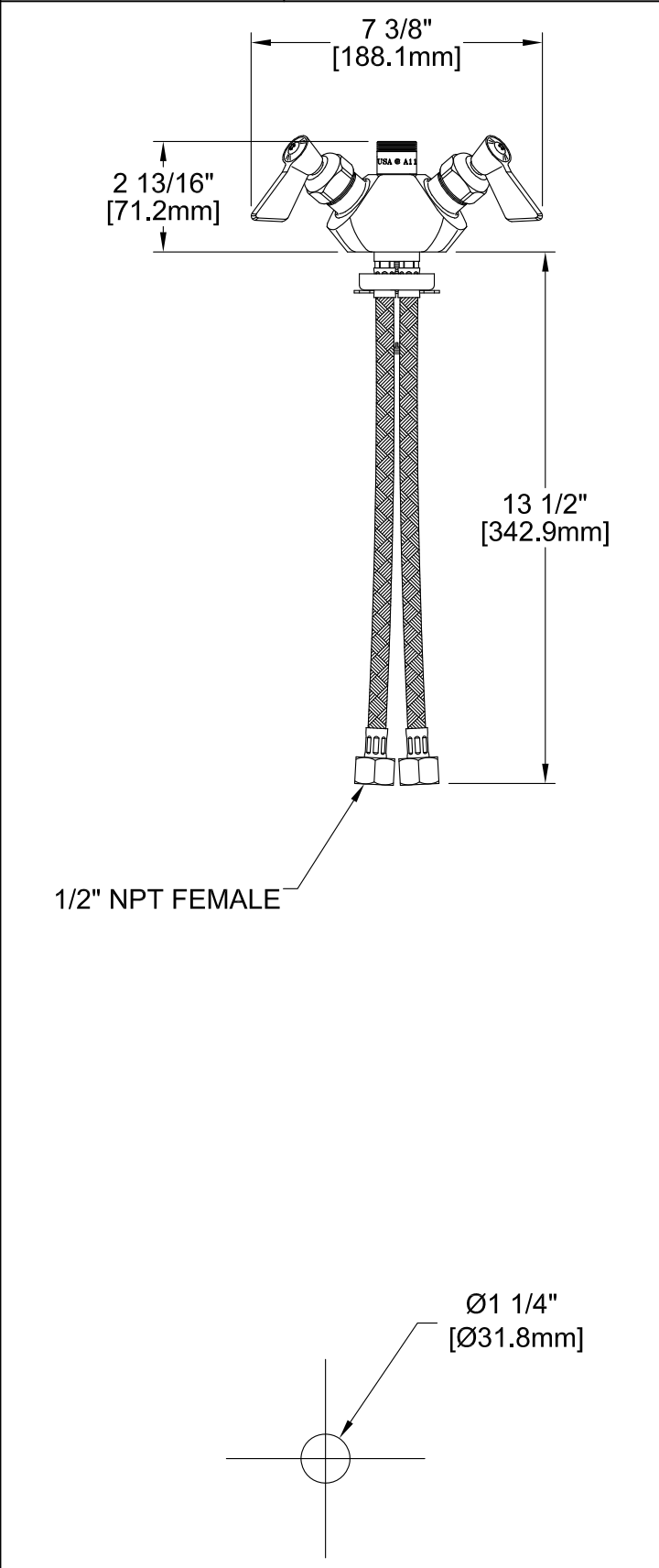
JOB NAME:

MODEL:

QUANTITY:

ITEM NO.:

- 63592 SS CTL VLV SDDLH SVL SV
- 19070 SS CTL VLV SDDLH SVL CK



OPTIONS OR MODIFICATIONS:
 OTHER _____

FEATURES

- CONTROL VALVE**
- * SWIVEL OUTLET
 - * HOT SIDE STEM - RIGHT HAND
 - * COLD SIDE STEM - LEFT HAND
 - * SWIVELLING SEAT DISKS
 - * STAINLESS STEEL SEATS
 - * STAINLESS STEEL SEAT SCREWS
 - * STAINLESS STEEL HANDLE SCREWS
 - * FLEXIBLE INLET HOSES

- SYSTEM LIMITS**
- * TEMP: 40°F MIN. TO 160°F MAX.
 - * PRESSURE: 200 PSI MAX. STATIC

- SHIPPING WEIGHT**
- * 5.0 LBS

- PRODUCT COMPLIANCE:**
- * ASME A112.18.1 / CSA B125.1
 - * NSF 61 - Section 9
 - * NSF 372 (Low Lead Content)



FISHER MANUFACTURING COMPANY
 TOLL FREE: 800-421-6162 - FAX: 800-832-8238
 information@fisher-mfg.com - www.fisher-mfg.com