

APPLICATION:

PRODUCT NAME:  
**SS CTL VLV 8DLH SVL**

JOB NAME:

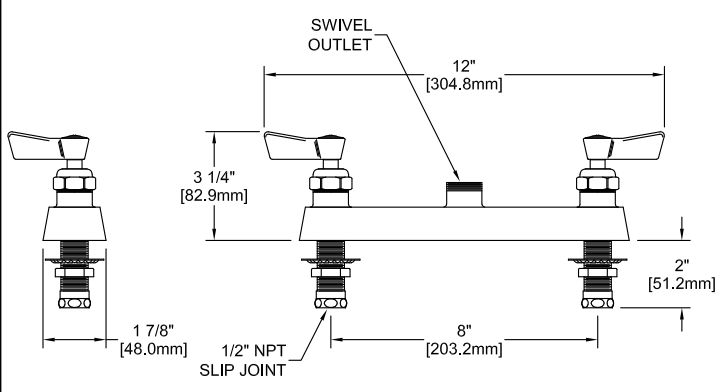
MODEL:

QUANTITY:

ITEM NO.:

- 67385      SS CTL VLV 8DLH SVL SWIVEL STEMS
- 73155      SS CTL VLV 8DLH SVL CHECK STEMS

OPTIONS OR MODIFICATIONS:  
 OTHER \_\_\_\_\_



**FEATURES**

- CONTROL VALVE**
- \* SS 8" C/C DECK MOUNT
  - \* CONCENTRICS
  - \* STAINLESS STEEL CONSTRUCTION
  - \* SWIVEL OR CHECK STEMS
  - \* HOT SIDE STEM - RIGHT HAND
  - \* COLD SIDE STEM - LEFT HAND
  - \* LEVER HANDLES OR WRIST HANDLES

**SYSTEM LIMITS**

- \* TEMP: 40°F MIN. TO 160°F MAX.

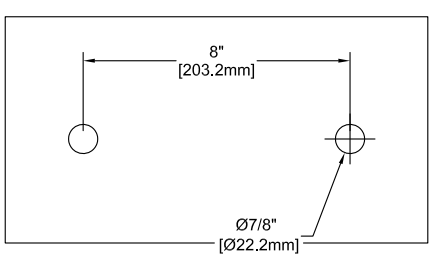
**SHIPPING WEIGHT**

- \* 5.0 LBS

**PRODUCT COMPLIANCE:**

- \* ASME A112.18.1 / CSA B125.1
- \* NSF 61 - Section 9
- \* NSF 372 (Low Lead Content)

ROUGH-IN:



FISHER MANUFACTURING COMPANY  
TOLL FREE: 800-421-6162 - FAX: 800-832-8238  
information@fisher-mfg.com - www.fisher-mfg.com