

APPLICATION:

PRODUCT NAME:
CTL VLV 8BSZLH SVL SV

JOB NAME:

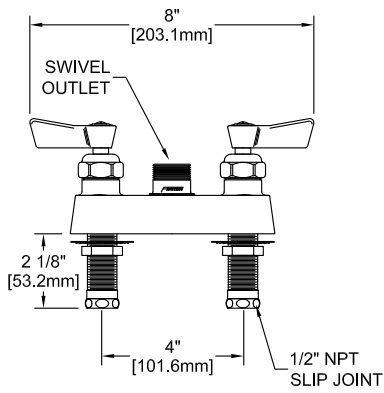
MODEL:

QUANTITY:

ITEM NO.:

- 67423 SS CTL VLV 4DLH SVL SWIVEL STEMS
- 73191 SS CTL VLV 4DLH SVL CHECK STEMS

OPTIONS OR MODIFICATIONS:
 OTHER _____



FEATURES

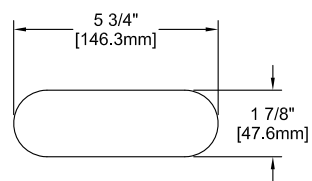
- CONTROL VALVE**
- * 4" C/C DECK MOUNT
 - * CONCENTRICS
 - * STAINLESS STEEL CONSTRUCTION
 - * SWIVEL OR CHECK STEMS
 - * HOT SIDE STEM - RIGHT HAND
 - * COLD SIDE STEM - LEFT HAND
 - * LEVER HANDLES

SYSTEM LIMITS
* TEMP: 40°F MIN. TO 160°F MAX.

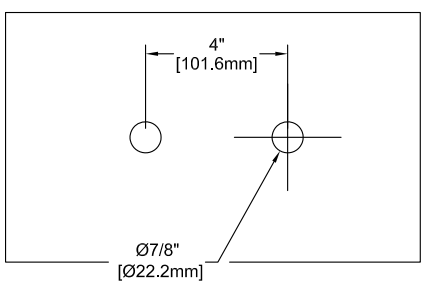
SHIPPING WEIGHT
* * 5.0 LBS

- PRODUCT COMPLIANCE:**
- * ASME A112.18.1 / CSA B125.1
 - * NSF 61 - Section 9
 - * NSF 372 (Low Lead Content)

FOOTPRINT:



ROUGH-IN:



FISHER MANUFACTURING COMPANY
TOLL FREE: 800-421-6162 - FAX: 800-832-8238
information@fisher-mfg.com - www.fisher-mfg.com