

APPLICATION:

PRODUCT NAME:
SS CTL VLV 4BSLH SVL

JOB NAME:

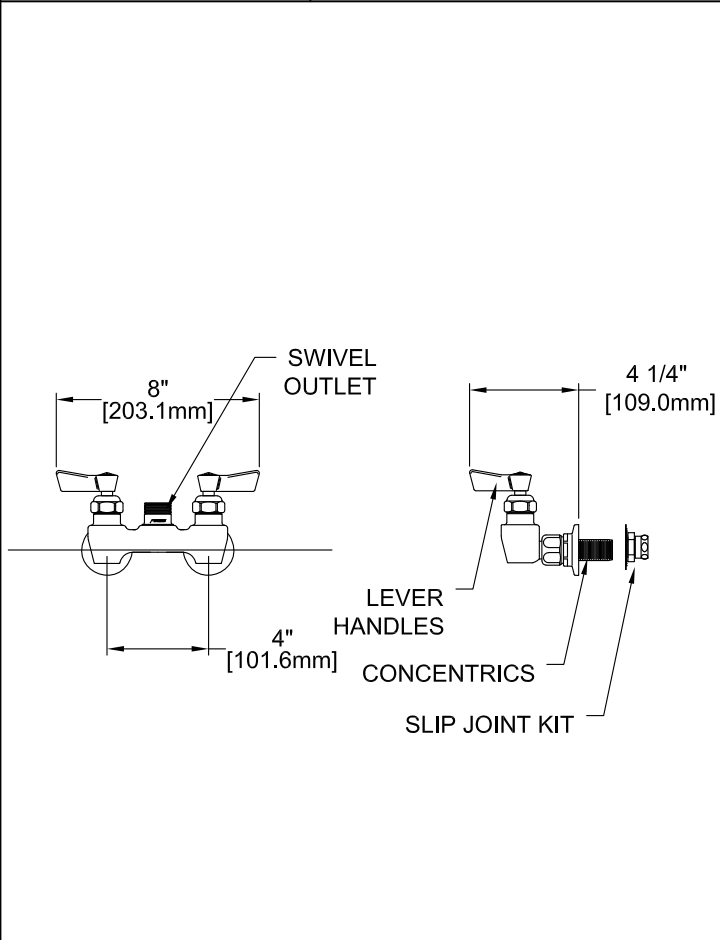
MODEL:

QUANTITY:

ITEM NO.:

62839 SS CTL VLV 4BSLH WITH SWIVEL STEMS
 73187 SS CTL VLV 4BSLH WITH CHECK STEMS

OPTIONS OR MODIFICATIONS:
 OTHER _____



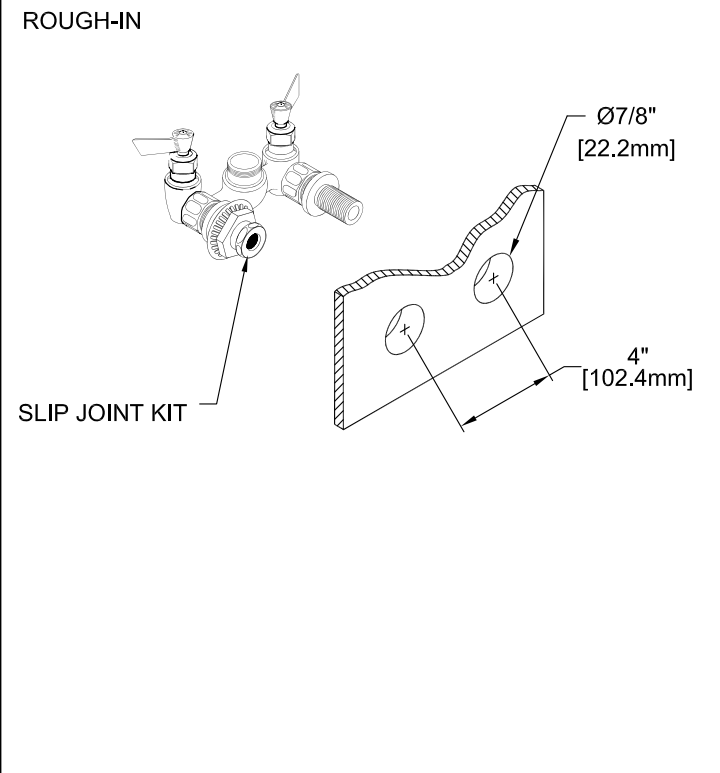
FEATURES

- CONTROL VALVE**
- * SS 4" BACKSPLASH
 - * HOT SIDE STEM - RIGHT HAND
 - * COLD SIDE STEM - LEFT HAND
 - * STAINLESS STEEL SEATS
 - * STAINLESS STEEL SEAT SCREWS
 - * STAINLESS STEEL HANDLE SCREWS

- SYSTEM LIMITS**
- * TEMP: 40°F MIN. TO 160°F MAX.
 - * PRESSURE: 200 PSI MAX. STATIC

- SHIPPING WEIGHT**
- * 3.75 LBS

- PRODUCT COMPLIANCE:**
- * ASME A112.18.1 / CSA B125.1
 - * NSF 61 - Section 9
 - * NSF 372 (Low Lead Content)



FISHER

FISHER MANUFACTURING COMPANY
TOLL FREE: 800-421-6162 - FAX: 800-832-8238
information@fisher-mfg.com - www.fisher-mfg.com