

# FISHER<sup>®</sup>

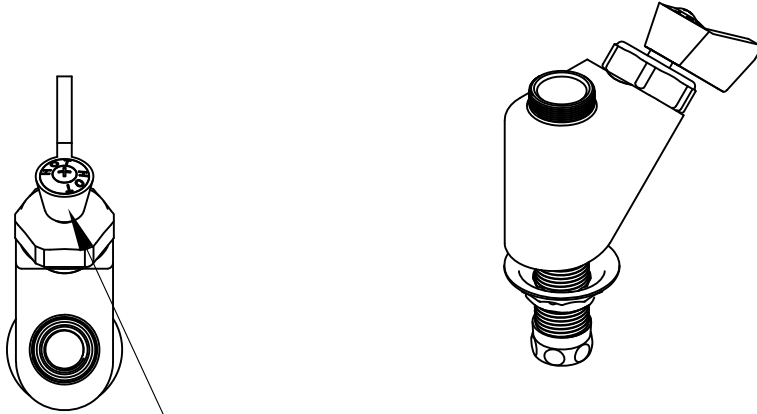
FISHER MANUFACTURING COMPANY TOLL FREE: 800-421-6162 - FAX: 800-832-8238  
customer@fisherfaucets.com - www.fisherfaucets.com

PRODUCT NAME:

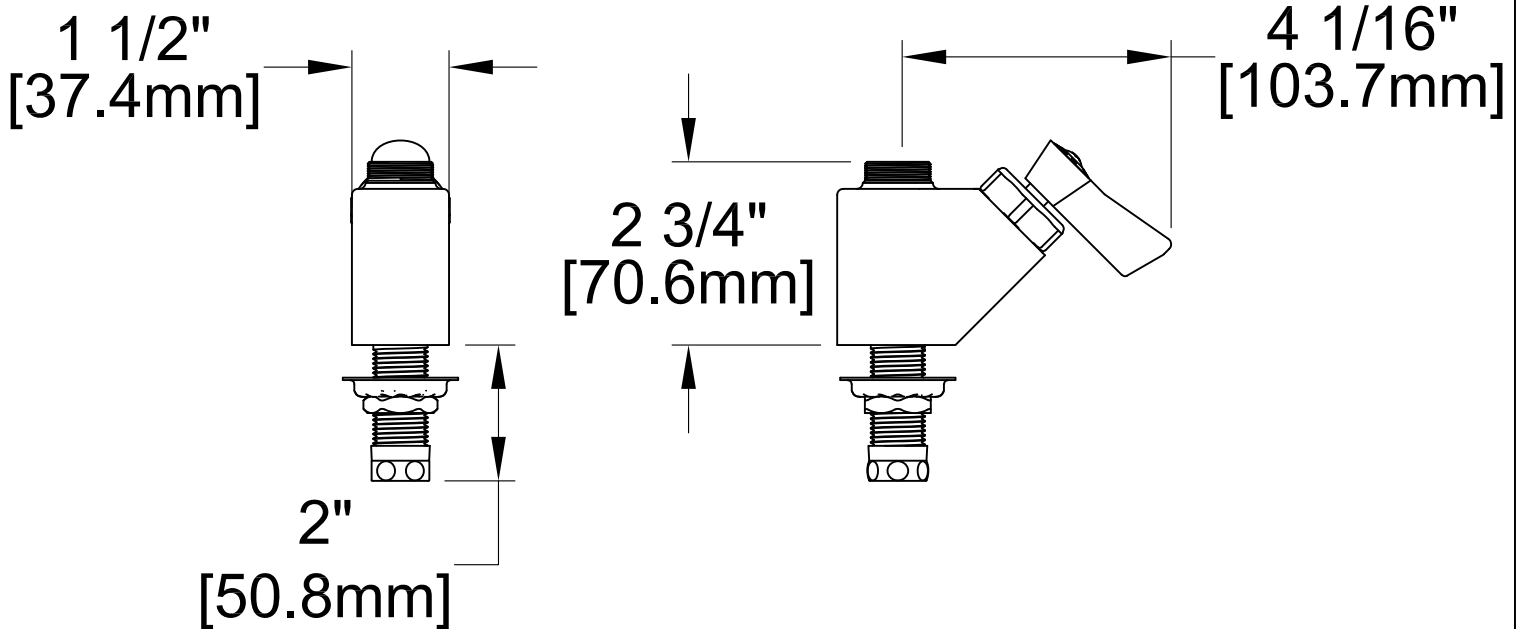
CONTROL VALVE SDLH R/S CD

SPEC. CV/CB-SO-SDL

|                      |                     |           |                        |           |
|----------------------|---------------------|-----------|------------------------|-----------|
| Customer/Wholesaler: | Date:               | Job Name: | Model Specified: 12810 | Quantity: |
| Contractor:          | Architect/Engineer: |           |                        |           |



QUARTER TURN CERAMIC DISC CARTRIDGES WITH CHECK STEMS AND COLOR CODED INDEXES



PRODUCT SPECIFICATIONS:  
SINGLE DECK CONTROL MOUNT MIXING FAUCET, QUARTER TURN CERAMIC DISC CARTRIDGES WITH LEVER HANDLES, 1/2" NPT INLET.

PRODUCT COMPLIANCE:  
ASME A112.18.1 / CSA B125.1  
NSF 61 - Section 9  
NSF 372 (Low Lead Content)



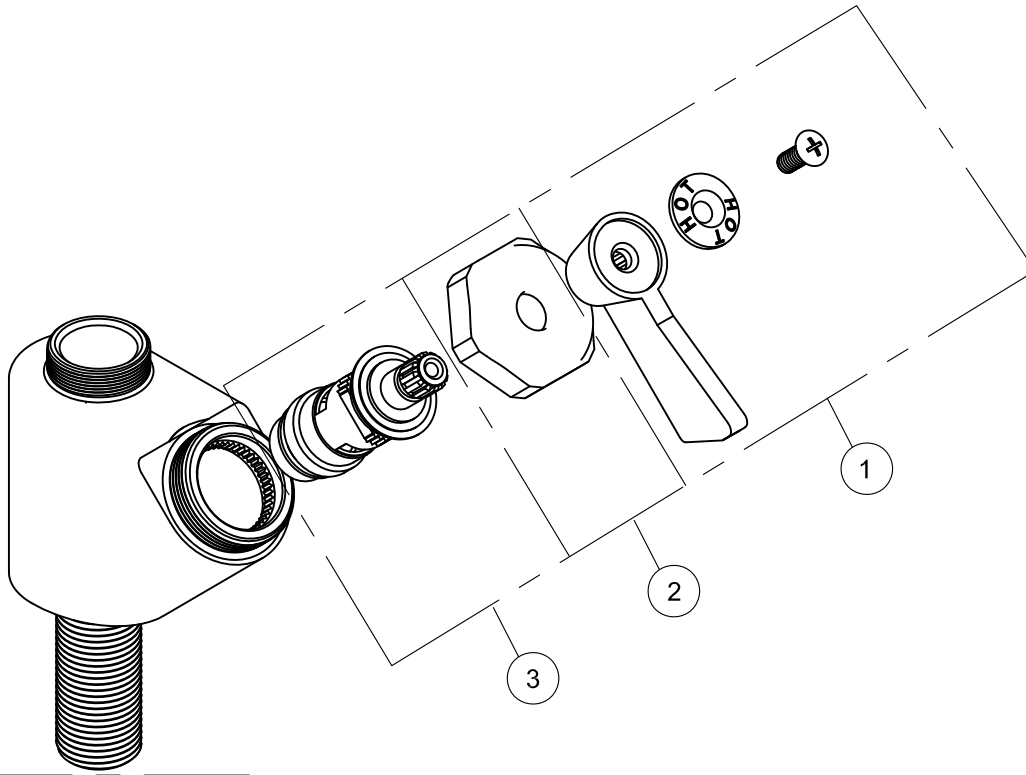
FISHER MANUFACTURING COMPANY TOLL FREE: 800-421-6162 - FAX: 800-832-8238  
customer@fisherfaucets.com - www.fisherfaucets.com

PRODUCT NAME:

CONTROL VALVE SDLH R/S CD

SPEC. CVCB-SO-SDL

|                      |                     |           |                        |           |
|----------------------|---------------------|-----------|------------------------|-----------|
| Customer/Wholesaler: | Date:               | Job Name: | Model Specified: 12810 | Quantity: |
| Contracter:          | Architect/Engineer: |           |                        |           |



| NO. | QTY. | ITEM      | NAME                         |
|-----|------|-----------|------------------------------|
| 1   | 2    | 2000-0002 | HANDLE KIT LEVER             |
| 2   | 2    | 75957     | BIBB CAP FAUCET CD NL BRS CR |
| 3   | 1    | 75959     | STEM 1/2 CERAMIC DISK RH     |
| 4   | 1    | 75936     | SINGLE DECK SLIP JOINT KIT   |

PRODUCT SPECIFICATIONS:  
SINGLE DECK CONTROL MOUNT MIXING FAUCET, QUARTER  
TURN CERAMIC DISC CARTRIDGES WITH LEVER HANDLES, 1/2"  
NPT INLET.

PRODUCT COMPLIANCE:  
ASME A112.18.1 / CSA B125.1  
NSF 61 - Section 9  
NSF 372 (Low Lead Content)