

# FISHER<sup>®</sup>

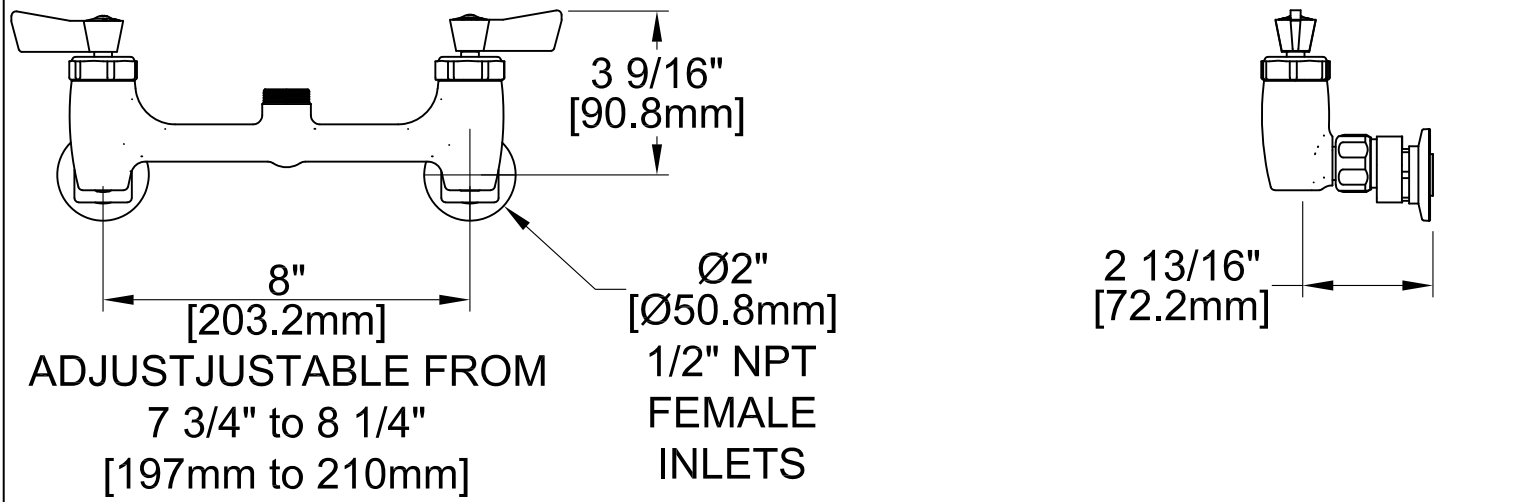
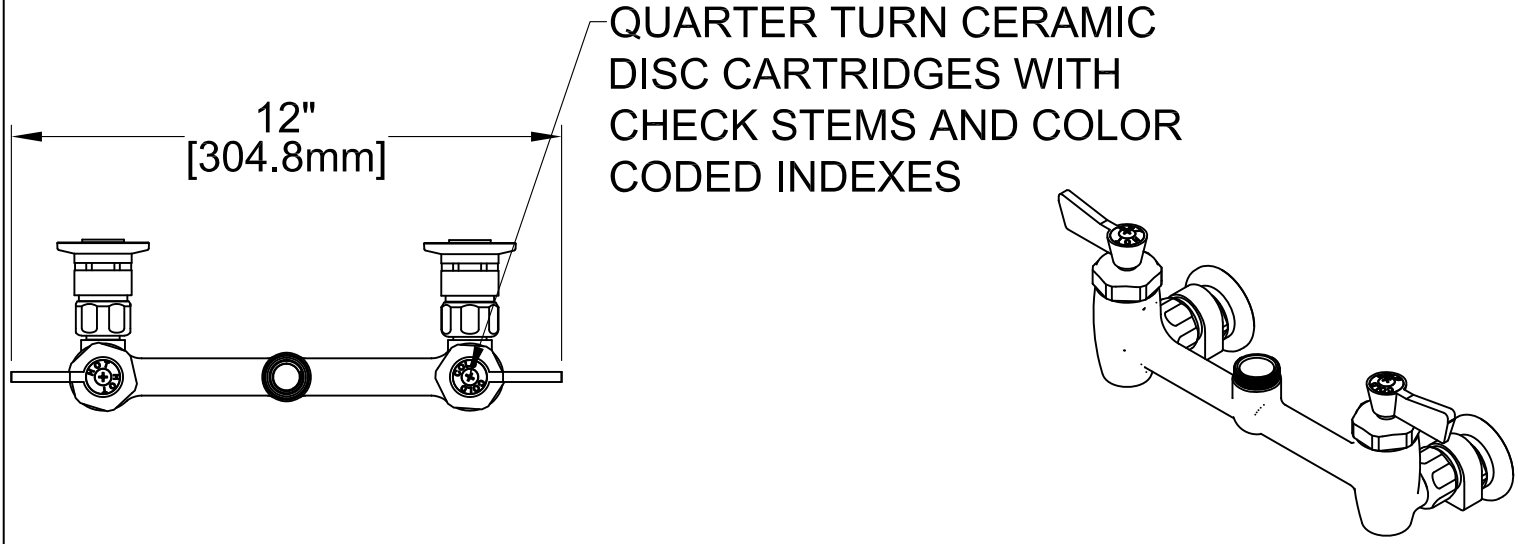
FISHER MANUFACTURING COMPANY TOLL FREE: 800-421-6162 - FAX: 800-832-8238  
customer@fisherfaucets.com - www.fisherfaucets.com

PRODUCT NAME:

CONTROL VALVE 8SAWLH R/S CD

SPEC. CV/CB-SO-8AWLL

Customer/Wholesaler:	Date:	Job Name:	Model Specified: 32010	Quantity:
Contractor:	Architect/Engineer:			

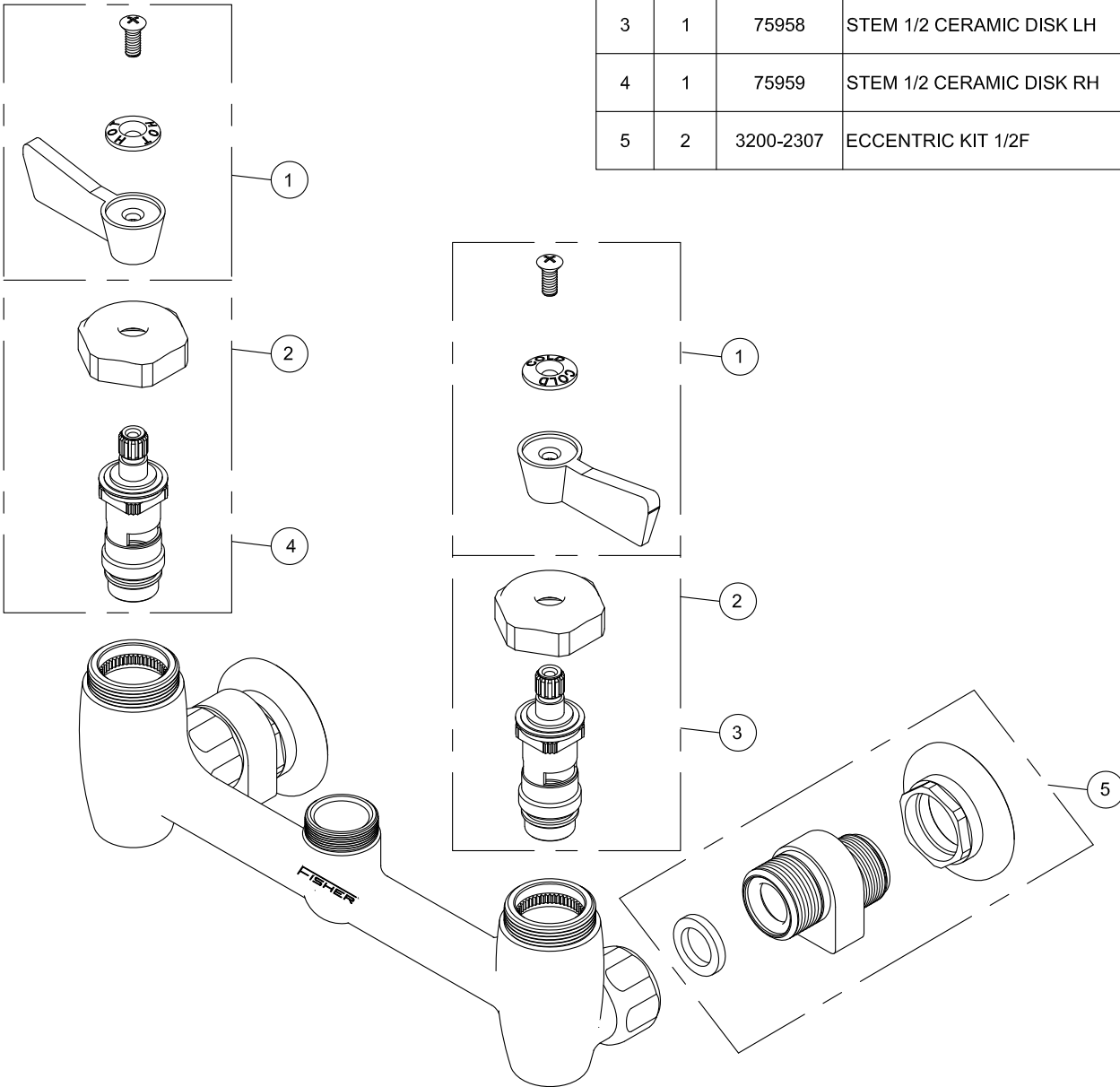


PRODUCT SPECIFICATIONS: 8" ADJUSTABLE WALL MOUNT MIXING FAUCET, QUARTER TURN CERAMIC DISC CARTRIDGES WITH LEVER HANDLES, 1/2" NPT ECCENTRICS INLET	PRODUCT COMPLIANCE: ASME A112.18.1 / CSA B125.1 NSF 61 - Section 9 NSF 372 (Low Lead Content)
---	--

Drawn: DF	Checked: EM	Approved: DF	Date: 10/30/23	Sheet: 1 of 2
-----------	-------------	--------------	----------------	---------------

Customer/Wholesaler:	Date:	Job Name:	Model Specified: 32010	Quantity:
Contractor:		Architect/Engineer:		

NO.	QTY.	ITEM	NAME
1	2	2000-0002	HANDLE KIT LEVER
2	2	75957	BIBB CAP FAUCET CD NL BRS CR
3	1	75958	STEM 1/2 CERAMIC DISK LH
4	1	75959	STEM 1/2 CERAMIC DISK RH
5	2	3200-2307	ECCENTRIC KIT 1/2F



**PRODUCT SPECIFICATIONS:**  
8" ADJUSTABLE WALL MOUNT MIXING FAUCET, QUARTER TURN CERAMIC DISK CARTRIDGES WITH LEVER HANDLES, 1/2" NPT ECCENTRICS INLET

**PRODUCT COMPLIANCE:**  
ASME A112.18.1 / CSA B125.1  
NSF 61 - Section 9  
NSF 372 (Low Lead Content)