

# FISHER<sup>®</sup>

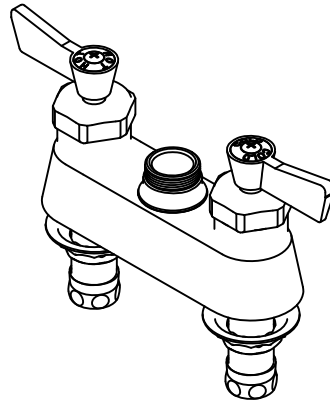
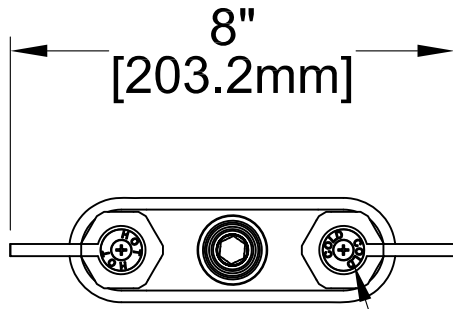
FISHER MANUFACTURING COMPANY TOLL FREE: 800-421-6162 - FAX: 800-832-8238  
customer@fisherfaucets.com - www.fisherfaucets.com

PRODUCT NAME:

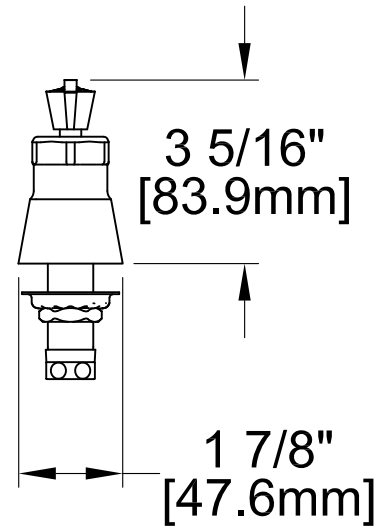
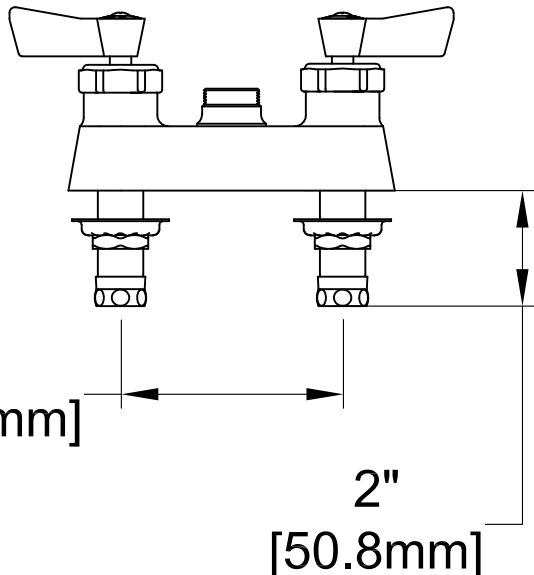
CONTROL VALVE 4DLH R/S CD

SPEC. CV/CB-SO-4DLL

Customer/Wholesaler:	Date:	Job Name:	Model Specified: 35000	Quantity:
Contractor:	Architect/Engineer:			



QUARTER TURN CERAMIC DISC CARTRIDGES WITH CHECK STEMS AND COLOR CODED INDEXES



PRODUCT SPECIFICATIONS:  
4" DECK MOUNT MIXING FAUCET, QUARTER TURN CERAMIC DISC CARTRIDGES WITH LEVER HANDLES, 1/2" NPT INLETS

PRODUCT COMPLIANCE:  
ASME A112.18.1 / CSA B125.1  
NSF 61 - Section 9  
NSF 372 (Low Lead Content)



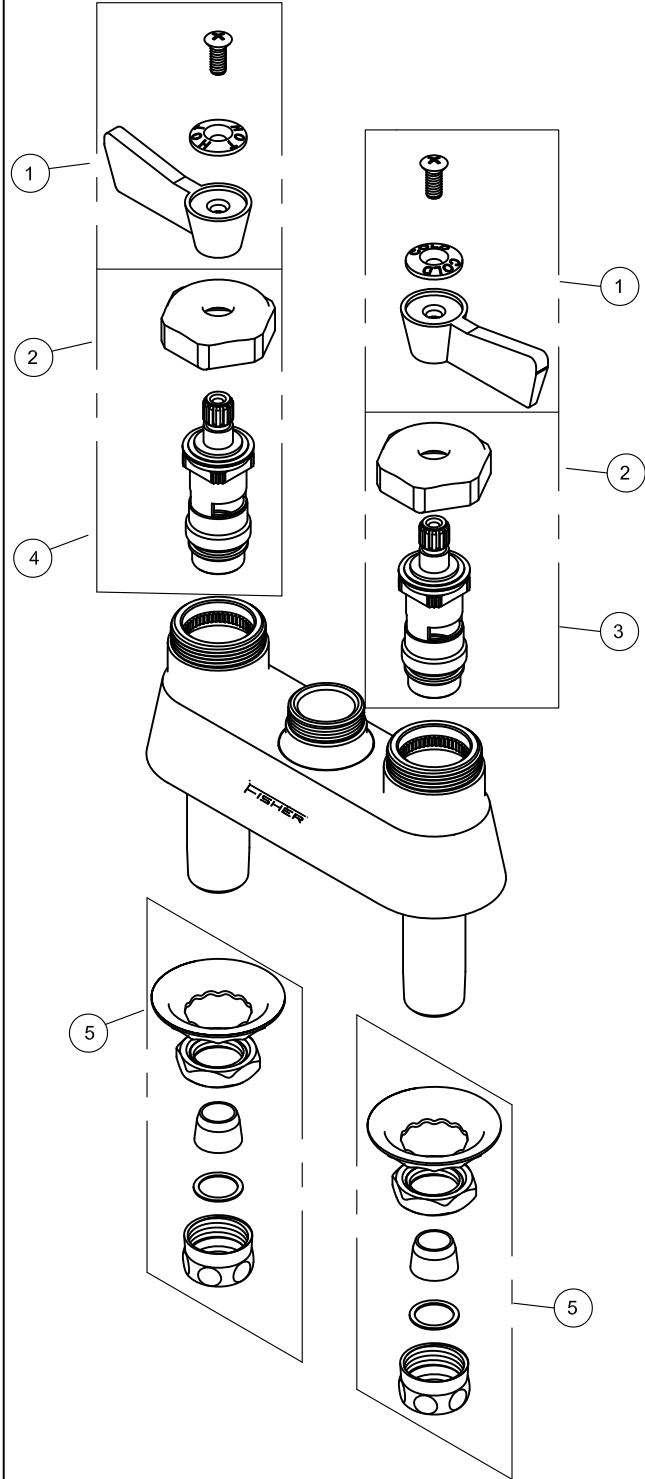
FISHER MANUFACTURING COMPANY TOLL FREE: 800-421-6162 - FAX: 800-832-8238  
customer@fisherfaucets.com - www.fisherfaucets.com

PRODUCT NAME:

CONTROL VALVE 4DLH R/S CD

SPEC. CV/CB-SO-4DL

Customer/Wholesaler:	Date:	Job Name:	Model Specified: 35000	Quantity:
Contractor:		Architect/Engineer:		



NO.	QTY.	ITEM	NAME
1	2	2000-0002	HANDLE KIT LEVER
2	2	75957	BIBB CAP FAUCET CD NL BRS CR
3	1	75958	STEM 1/2 CERAMIC DISK LH
4	1	75959	STEM 1/2 CERAMIC DISK RH
5	2	73794	SLIP JOINT KIT 1/2

PRODUCT SPECIFICATIONS:  
4" DECK MOUNT MIXING FAUCET, QUARTER TURN CERAMIC DISC CARTRIDGES WITH LEVER HANDLES, 1/2" NPT INLETS.

PRODUCT COMPLIANCE:  
ASME A112.18.1 / CSA B125.1  
NSF 61 - Section 9  
NSF 372 (Low Lead Content)