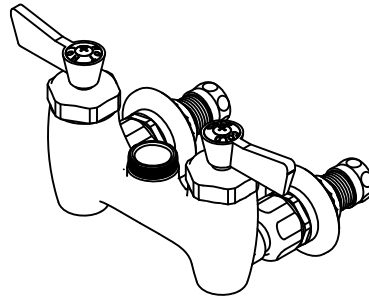
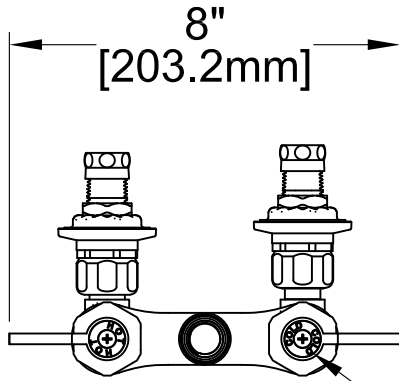
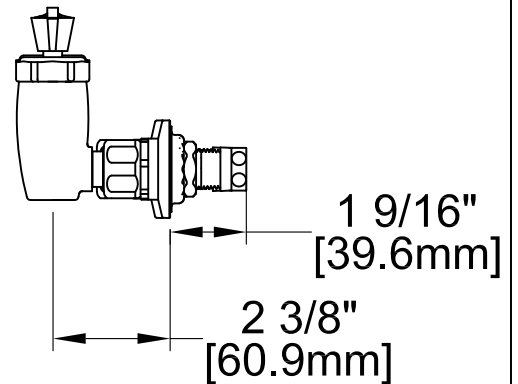
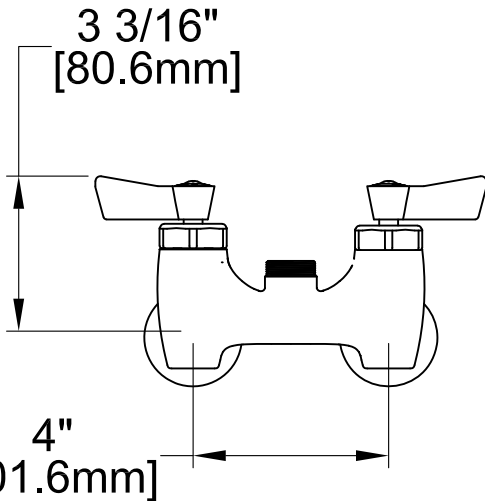


Customer/Wholesaler:	Date:	Job Name:	Model Specified: 36000	Quantity:
Contractor:		Architect/Engineer:		



QUARTER TURN CERAMIC DISC CARTRIDGES WITH CHECK STEMS AND COLOR CODED INDEXES

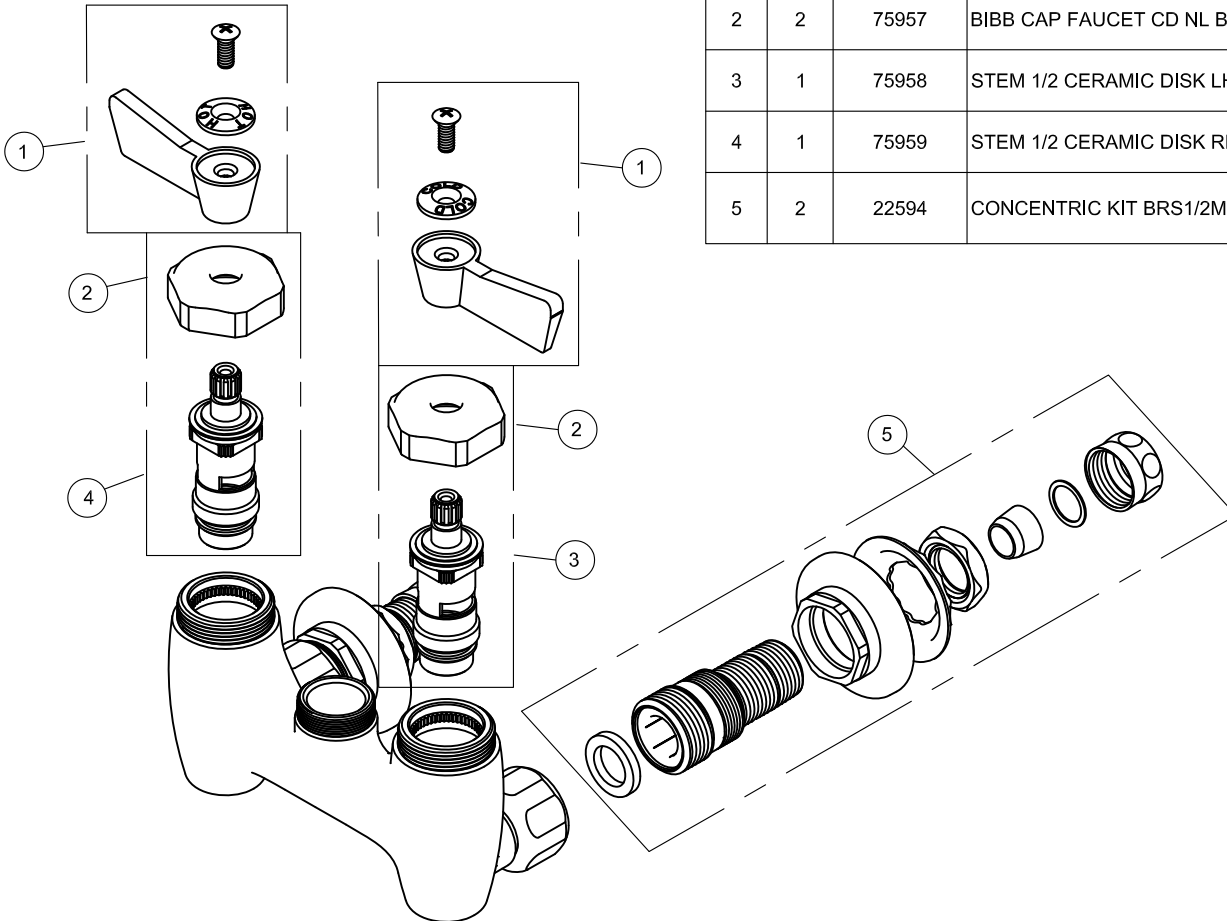


PRODUCT SPECIFICATIONS:
 4" BACKSPASH MOUNT MIXING FAUCET, QUARTER TURN CERAMIC DISC CARTRIDGES WITH LEVER HANDLES, 1/2" NPT CONCENTRICS INLET

PRODUCT COMPLIANCE:
 ASME A112.18.1 / CSA B125.1
 NSF 61 - Section 9
 NSF 372 (Low Lead Content)

Customer/Wholesaler:	Date:	Job Name:	Model Specified: 36000	Quantity:
Contracter:		Architect/Engineer:		

NO.	QTY.	ITEM	NAME
1	2	2000-0002	HANDLE KIT LEVER
2	2	75957	BIBB CAP FAUCET CD NL BRS CR
3	1	75958	STEM 1/2 CERAMIC DISK LH
4	1	75959	STEM 1/2 CERAMIC DISK RH
5	2	22594	CONCENTRIC KIT BRS1/2M



PRODUCT SPECIFICATIONS:
 4" BACKSPASH MOUNT MIXING FAUCET, QUARTER TURN
 CERAMIC DISK CARTRIDGES WITH LEVER HANDLES, 1/2" NPT
 CONCENTRICS INLET

PRODUCT COMPLIANCE:
 ASME A112.18.1 / CSA B125.1
 NSF 61 - Section 9
 NSF 372 (Low Lead Content)