

# FISHER<sup>®</sup>

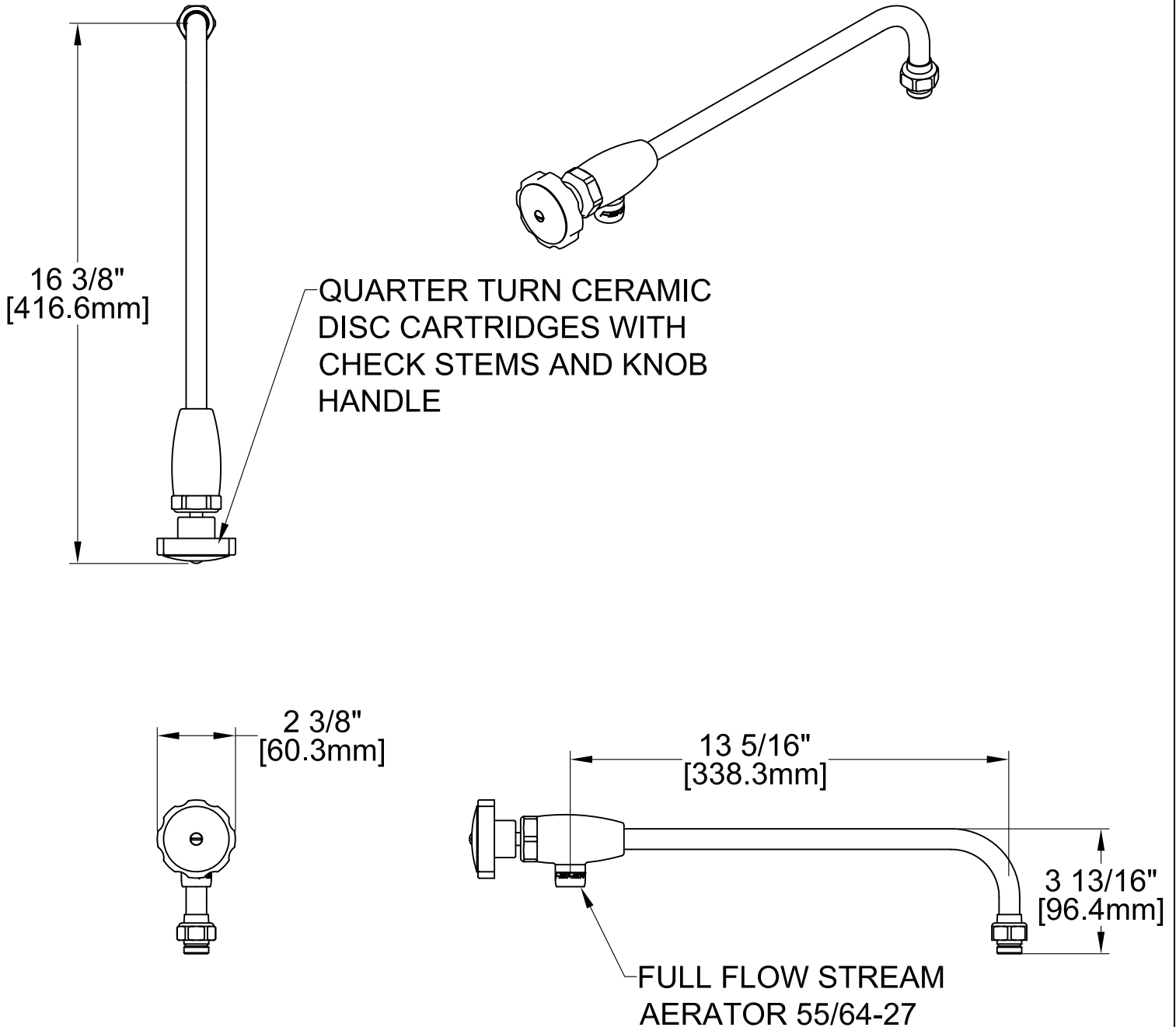
FISHER MANUFACTURING COMPANY TOLL FREE: 800-421-6162 - FAX: 800-832-8238  
customer@fisherfaucets.com - www.fisherfaucets.com

PRODUCT NAME:

SPOUT 12CSCD

SPEC. CTGB-SPF-XX

Customer/Wholesaler:	Date:	Job Name:	Model Specified: 40000	Quantity:
Contractor:	Architect/Engineer:			



PRODUCT SPECIFICATIONS:  
12" CONTROL SPOUT, QUARTER TURN CERAMIC DISC CARTRIDGES WITH KNOB HANDLE, FULL FLOW STREAM AERATOR 55/64-27.

PRODUCT COMPLIANCE:  
ASME A112.18.1 / CSA B125.1  
NSF 61 - Section 9  
NSF 372 (Low Lead Content)

# FISHER<sup>®</sup>

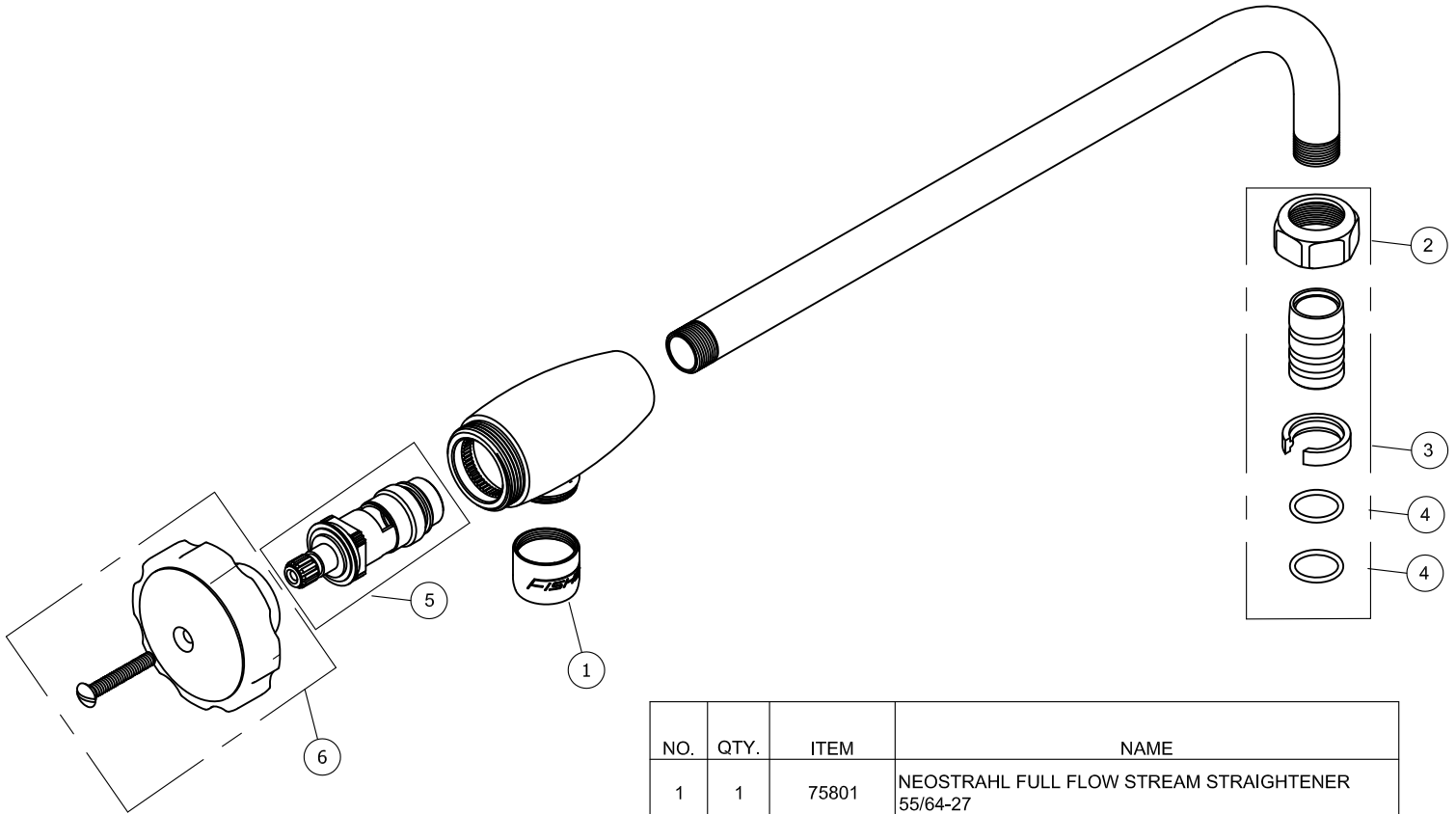
FISHER MANUFACTURING COMPANY TOLL FREE: 800-421-6162 - FAX: 800-832-8238  
customer@fisherfaucets.com - www.fisherfaucets.com

PRODUCT NAME:

SPOUT 12CSCD

SPEC.CTCB-SPF-XX

Customer/Wholesaler:	Date:	Job Name:	Model Specified: 40000	Quantity:
Contractor:	Architect/Engineer:			



NO.	QTY.	ITEM	NAME
1	1	75801	NEOSTRAHL FULL FLOW STREAM STRAIGHTENER 55/64-27
2	1	75237	NUT SPOUT 1/2 CD BRS POL CR
3	1	20020	SNAP RING FERRULE 1/2
4	2	1600-5000	O-RING SPOUT 1/2
5	1	75959	STEM 1/2 CERAMIC DISK RH
6	1	4000-0004	HANDLE KIT KNOB

PRODUCT SPECIFICATIONS:  
12" CONTROL SPOUT, QUARTER TURN CERAMIC DISC CARTRIDGES WITH KNOB HANDLE, FULL FLOW STREAM AERATOR 55/64-27.

PRODUCT COMPLIANCE:  
ASME A112.18.1 / CSA B125.1  
NSF 61 - Section 9  
NSF 372 (Low Lead Content)