

APPLICATION:

PRODUCT NAME:
**STEM KIT DIPPERWELL RIGHT HAND
SINGLE XH KIT**

JOB NAME:

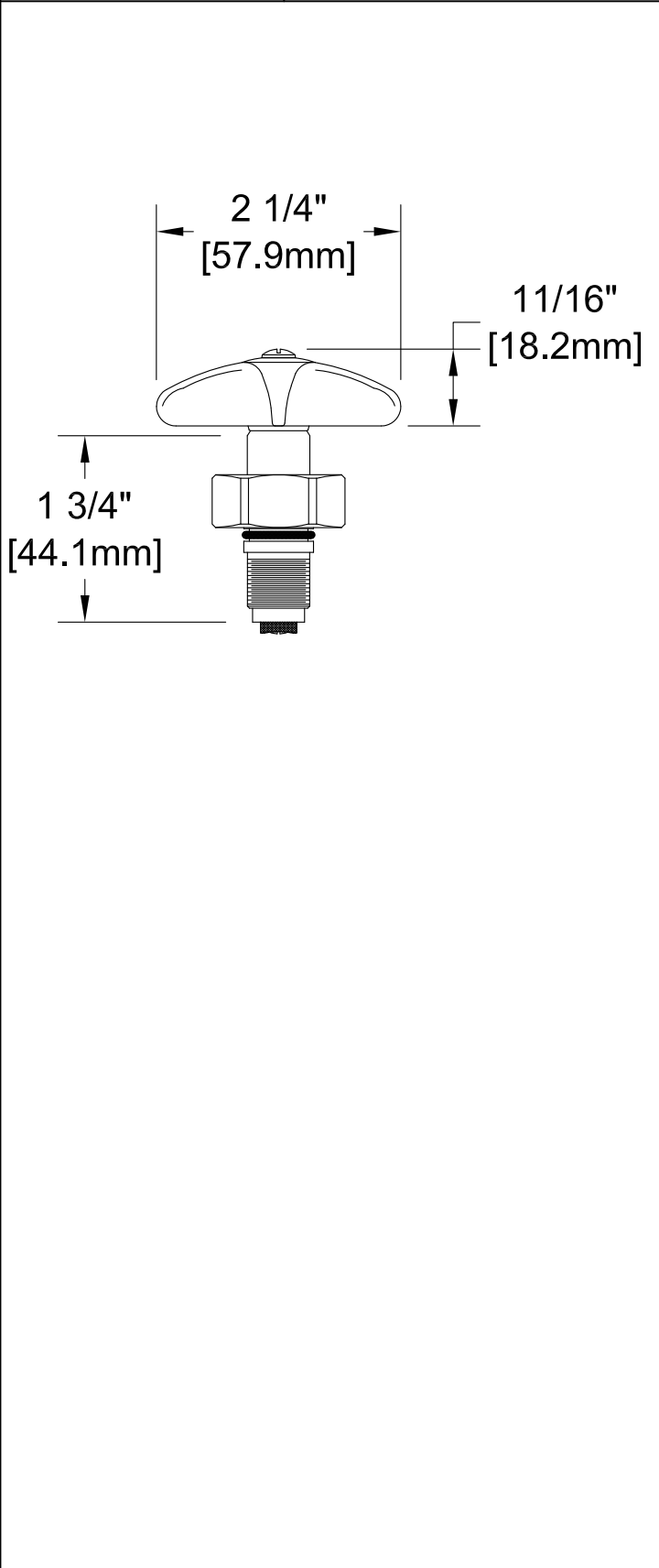
MODEL:

QUANTITY:

ITEM NO.:

3042-0000 STEM KIT DIPPERWELL RIGHT HAND
SINGLE XH KIT

OPTIONS OR MODIFICATIONS:
 OTHER _____



- FEATURES
- * CROSS HANDLE
 - * HOT AND COLD INDEX BUTTON
 - * SWIVELLING SEAT DISKS
 - * STAINLESS STEEL SEAT SCREWS
 - * STAINLESS STEEL HANDLE SCREWS
- SHIPPING WEIGHT
- * 0.50 LBS



FISHER MANUFACTURING COMPANY
 TOLL FREE: 800-421-6162 - FAX: 800-832-8238
 information@fisher-mfg.com - www.fisher-mfg.com